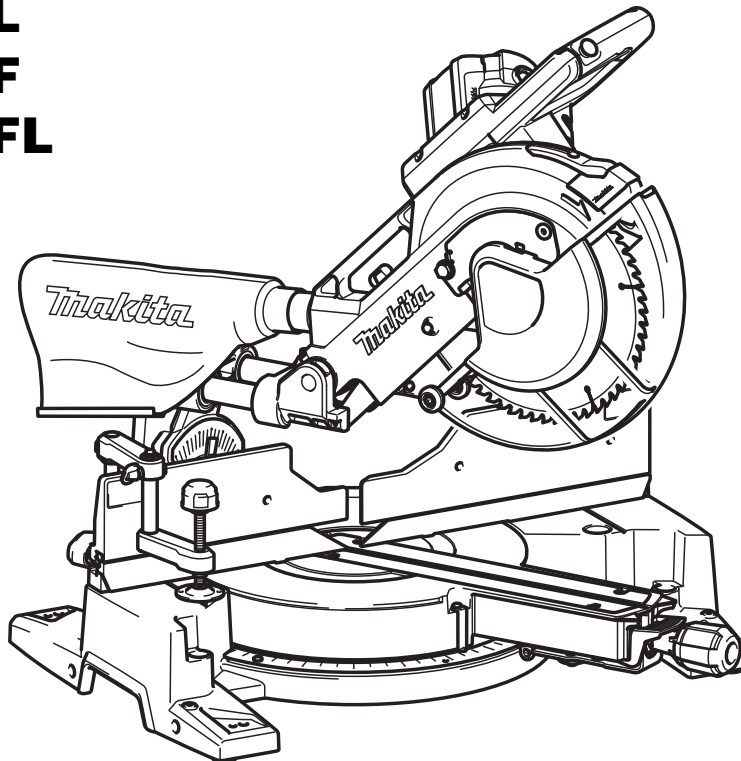
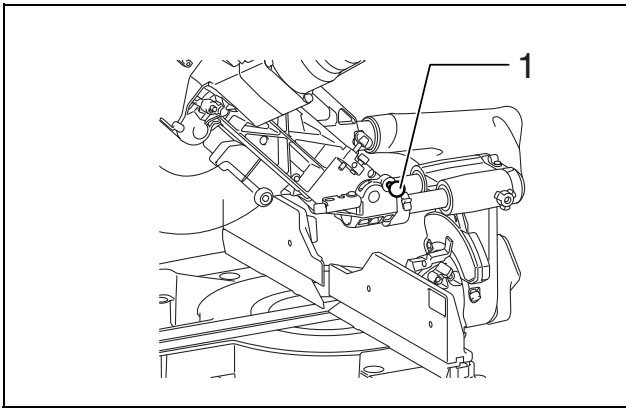




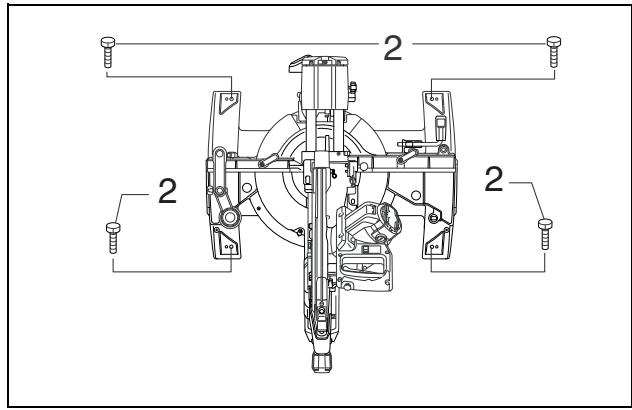
GB	Slide Compound Miter Saw	Instruction Manual
F	Scie à Onglet Radiale	Manuel d'instructions
D	Kapp- und Gehrungssäge	Betriebsanleitung
I	Sega combinata a slitta	Istruzioni per l'uso
NL	Schuifbare afkortverstekzaag	Gebruiksaanwijzing
E	Sierra de Inglete Telescópica	Manual de instrucciones
P	Serra de Esquadria c/ Braço Telescópico	Manual de instruções
DK	Afkorter-geringsav	Brugsanvisning
GR	Δισκοπρίονο σύνθετης λοξοτομής μήκους ολίσθησης	Οδηγίες χρήσεως

LS1016
LS1016L
LS1016F
LS1016FL

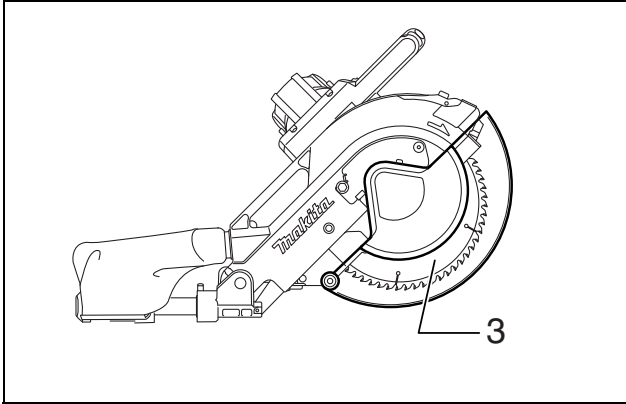




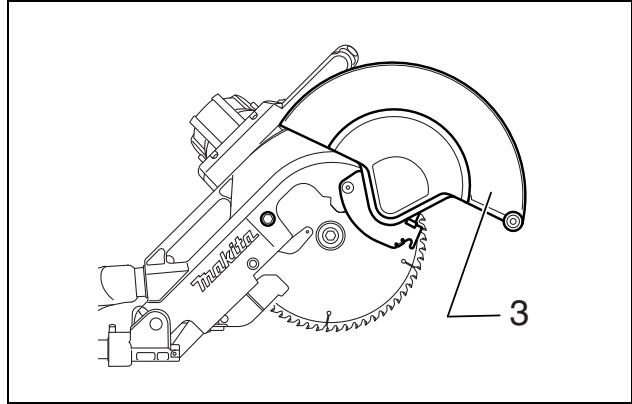
1



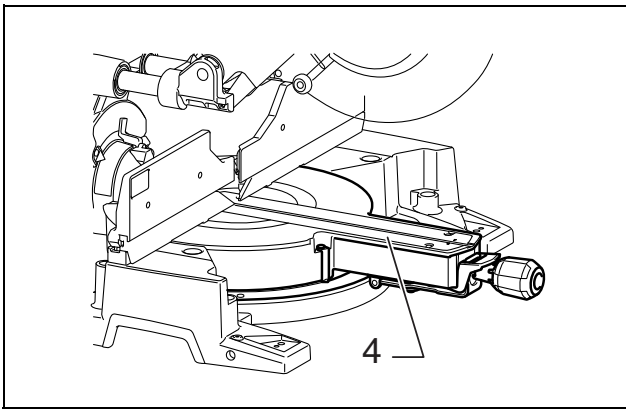
2



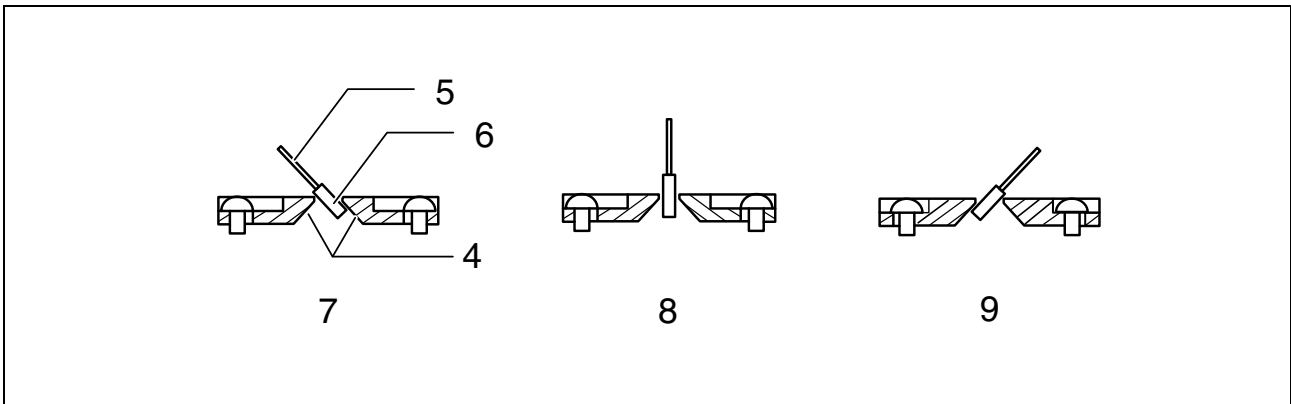
3



4

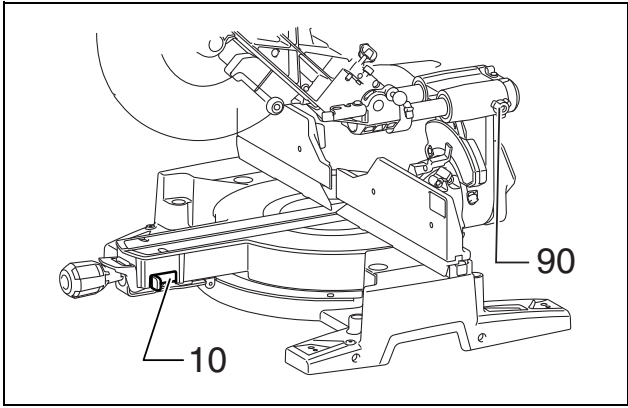


5

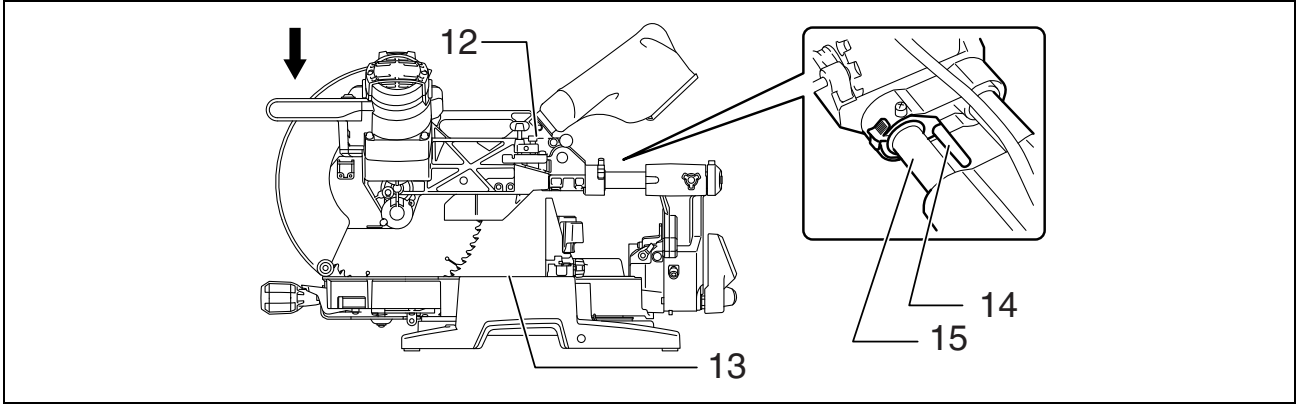


6

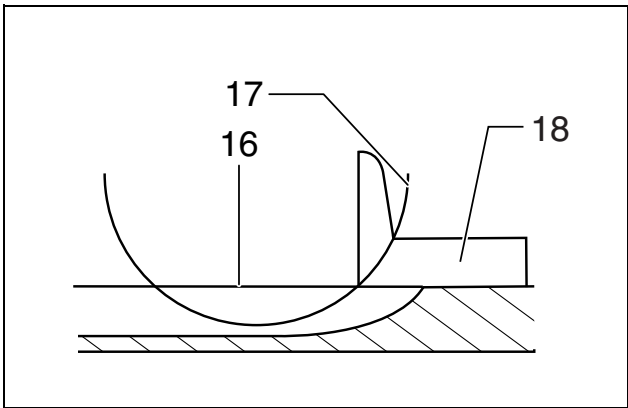
2



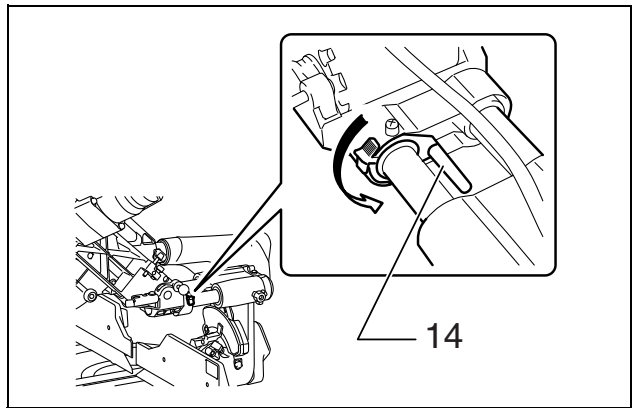
7



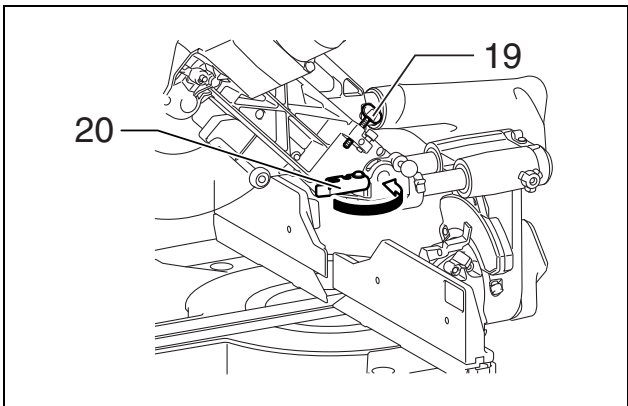
8



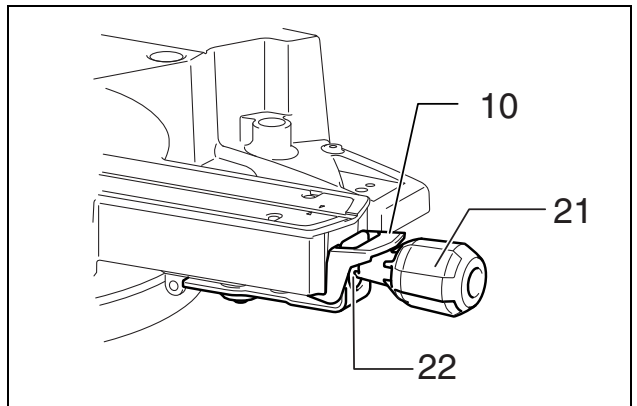
9



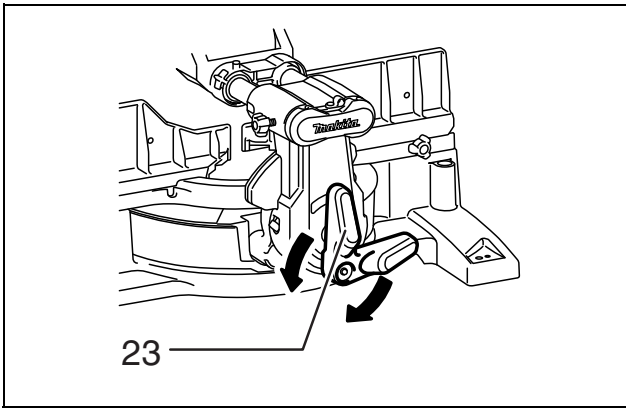
10



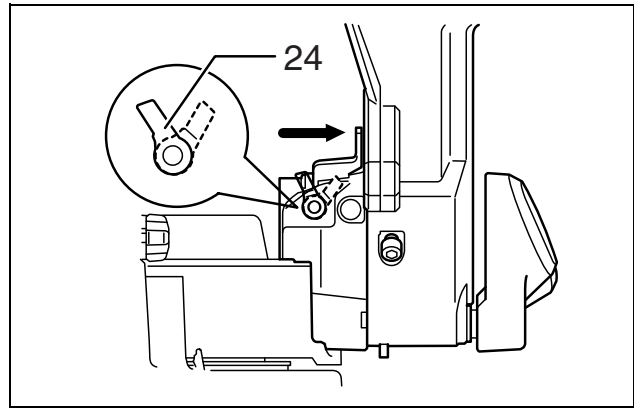
11



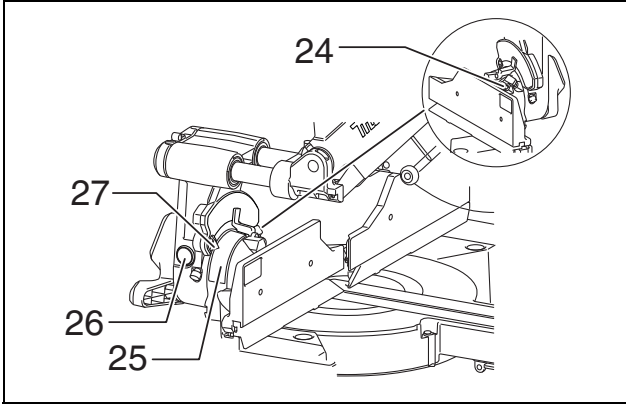
12



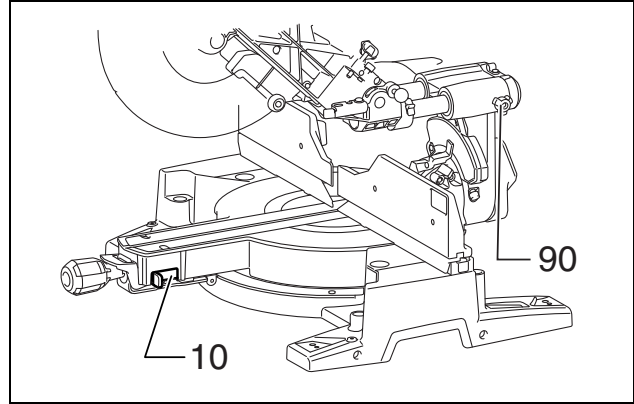
13



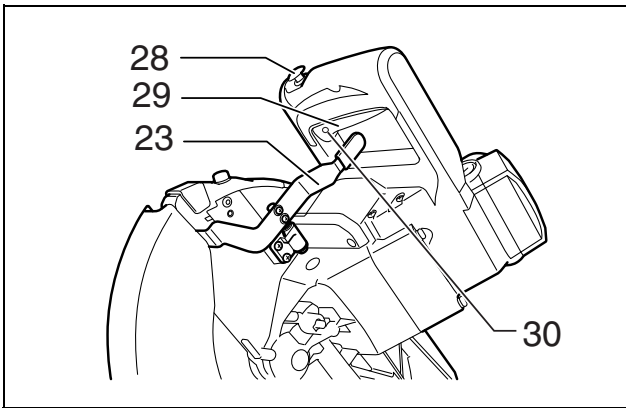
14



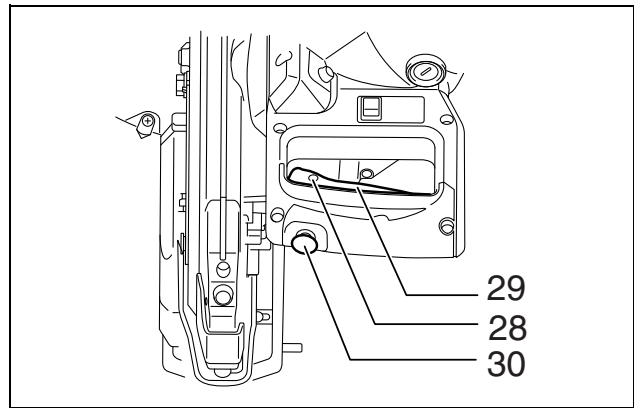
15



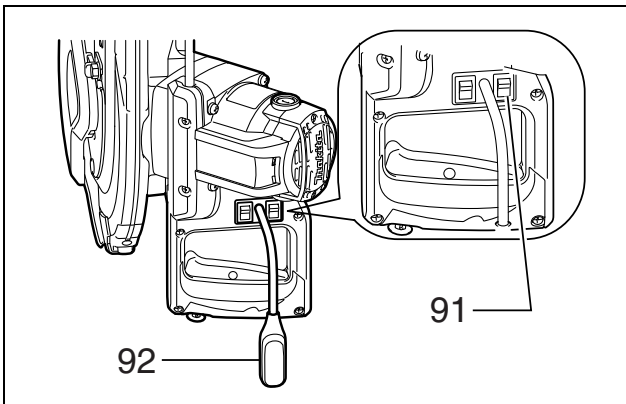
16



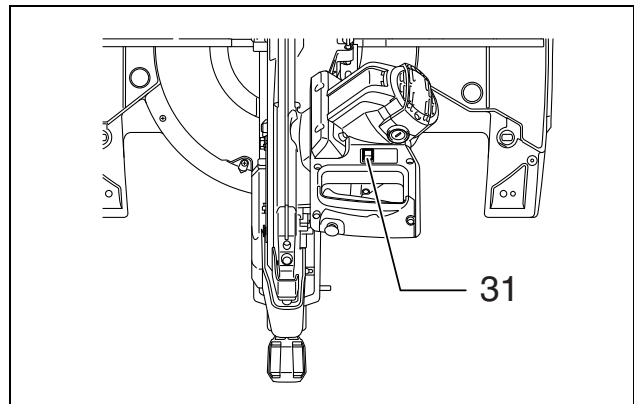
17



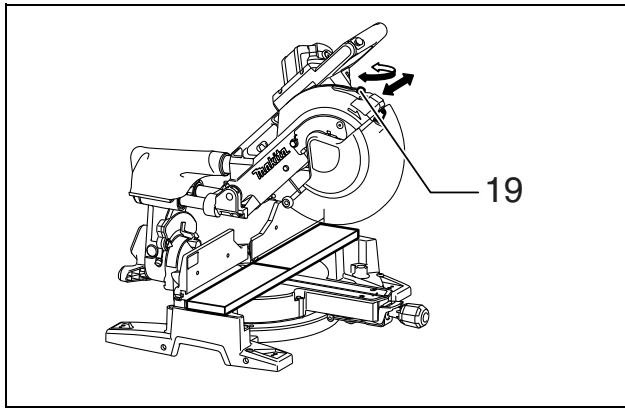
18



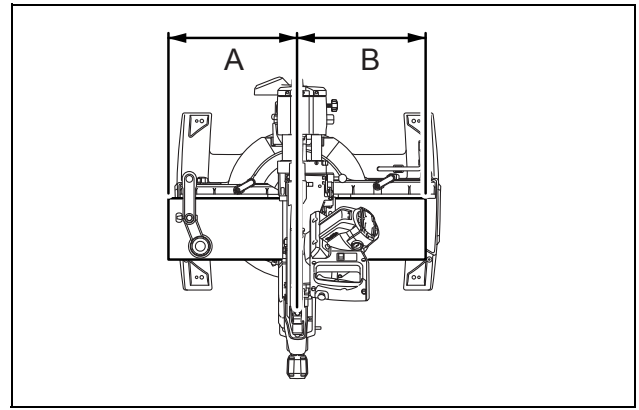
19



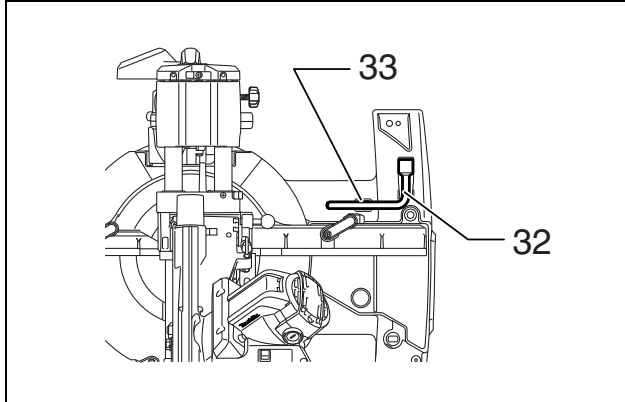
20



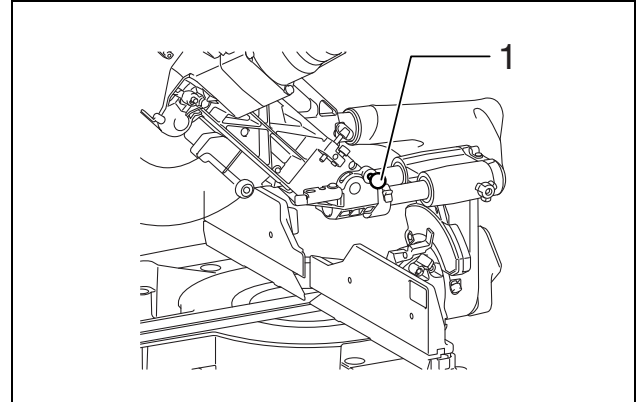
21



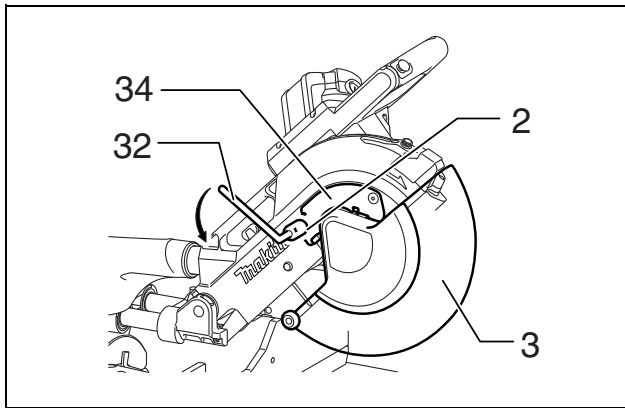
22



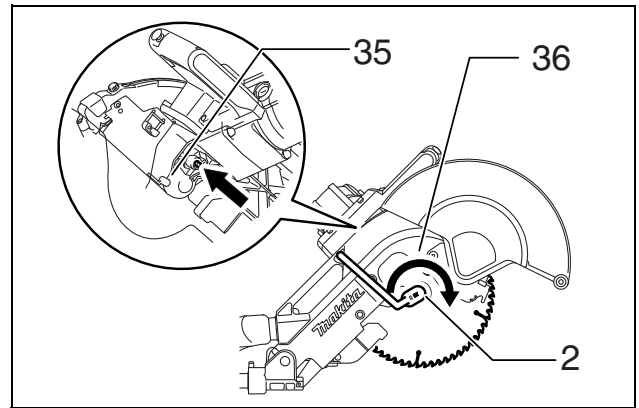
23



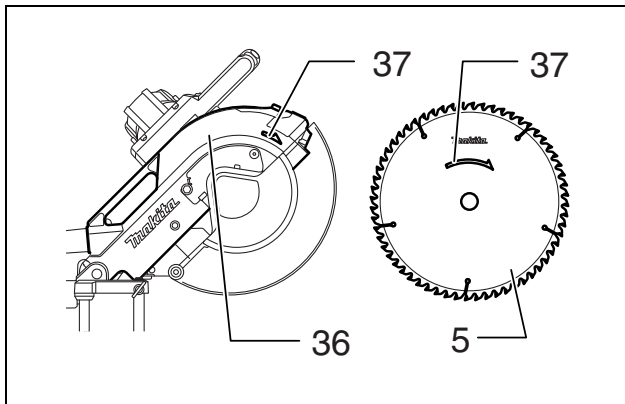
24



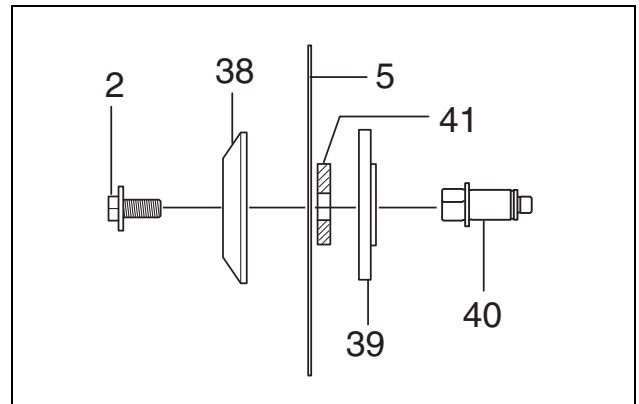
25



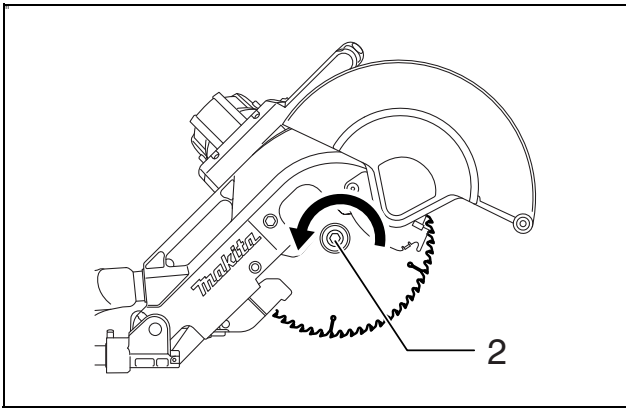
26



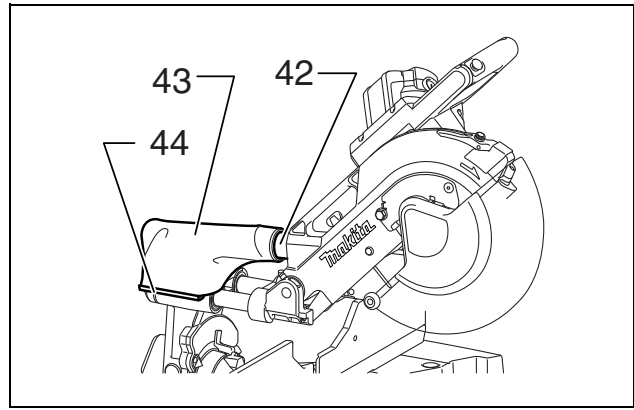
27



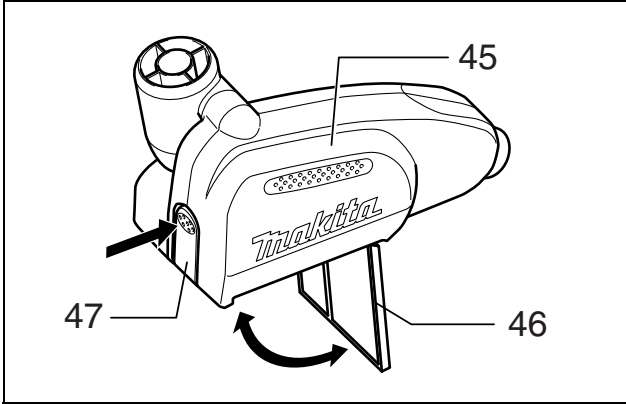
28



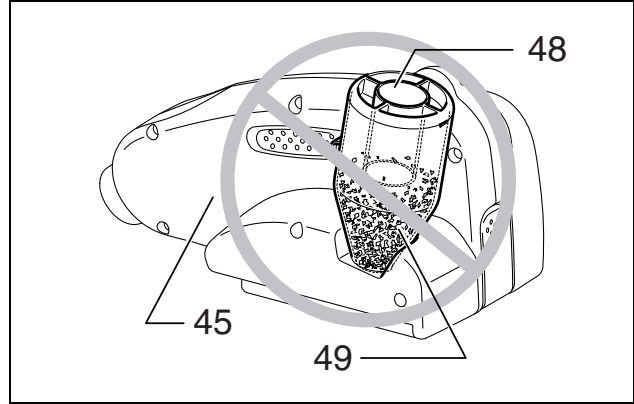
29



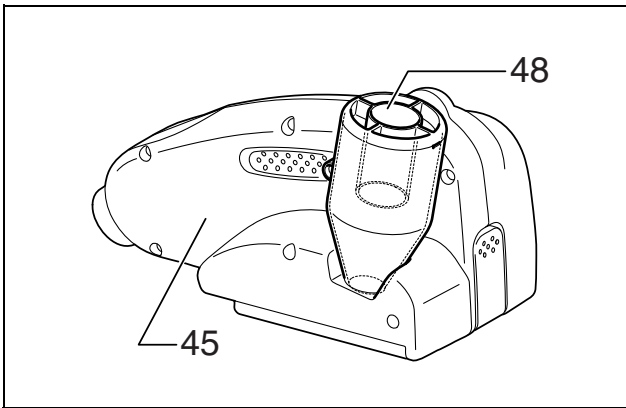
30



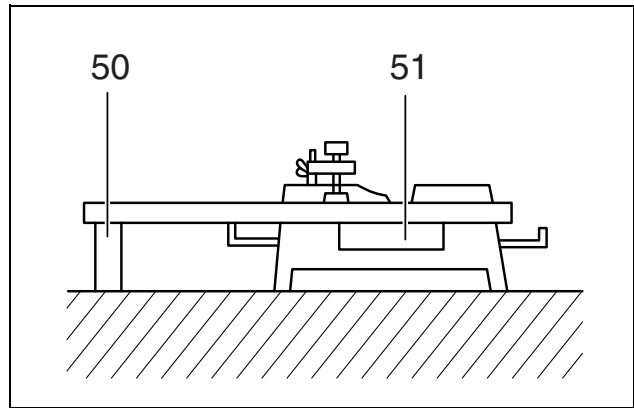
31



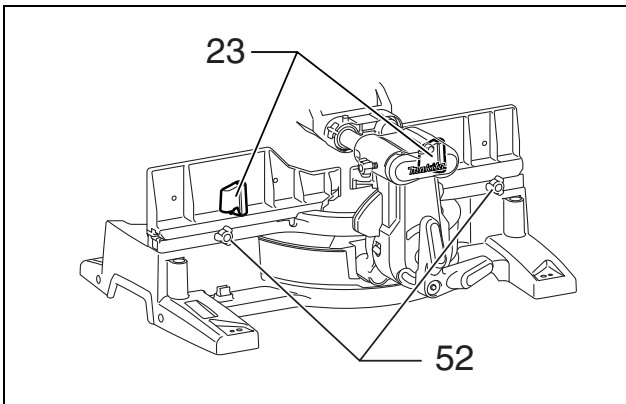
32



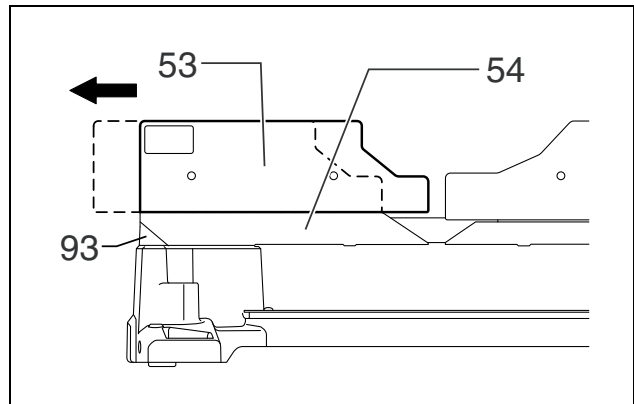
33



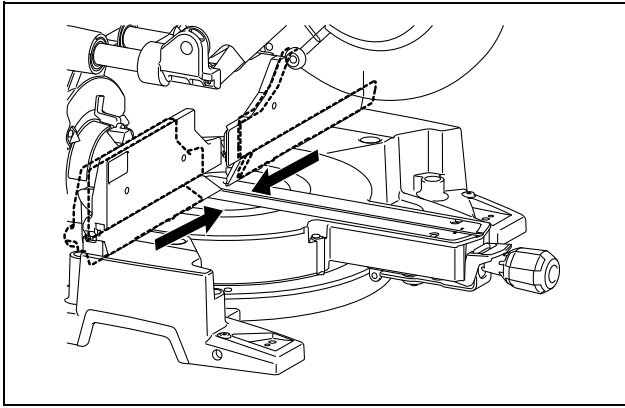
34



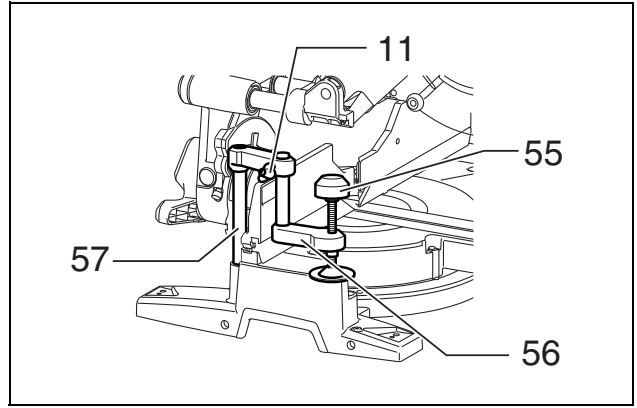
35



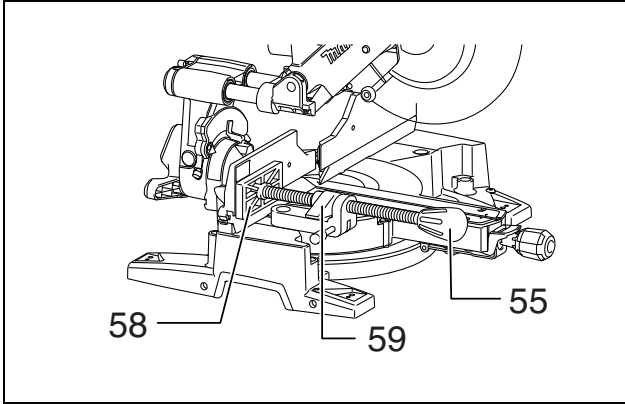
36



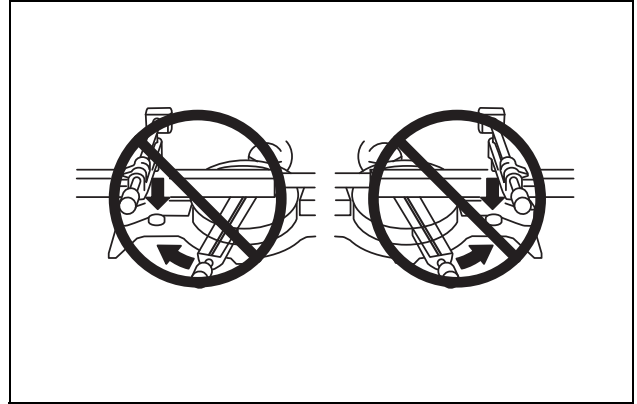
37



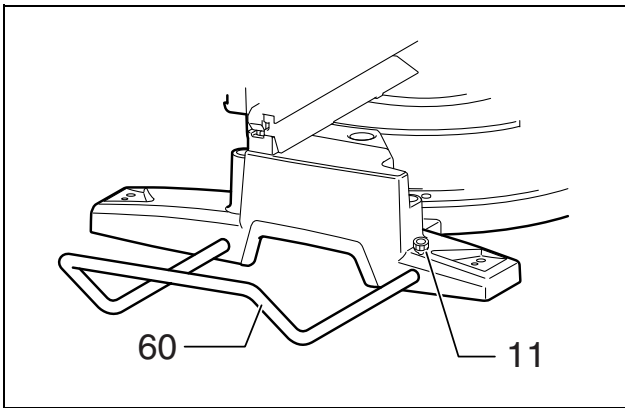
38



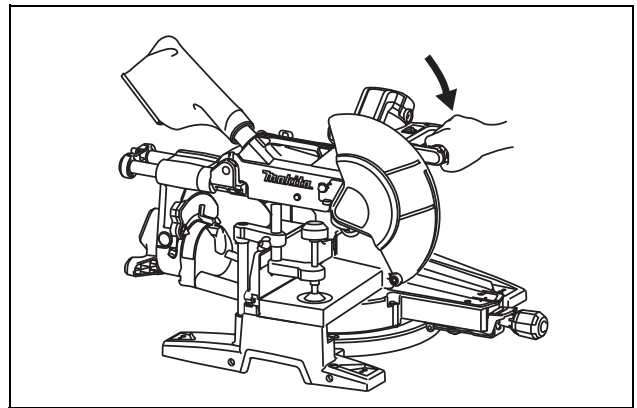
39



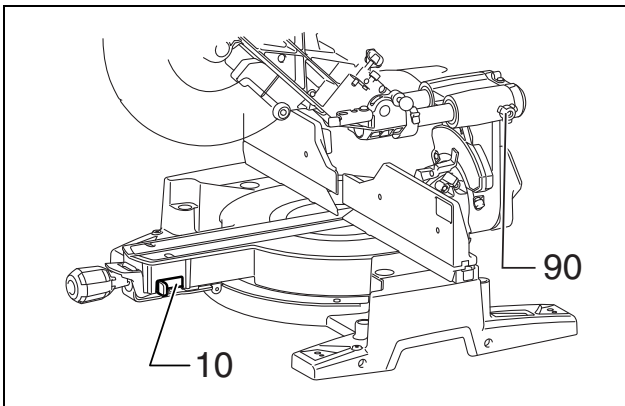
40



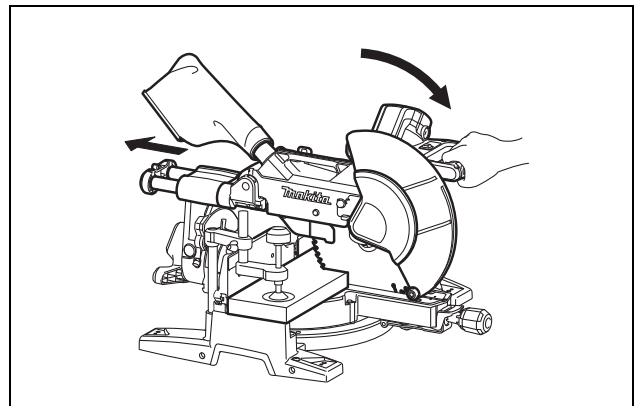
41



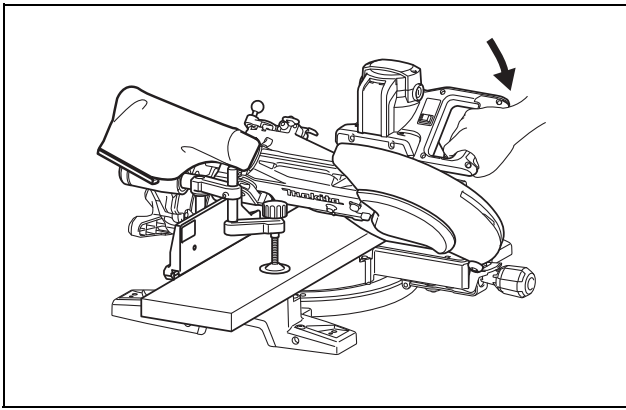
42



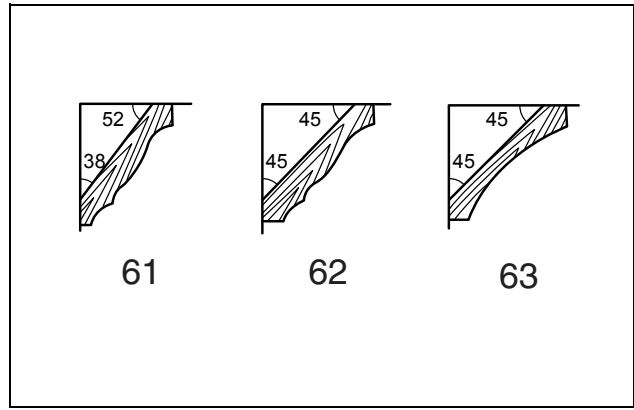
43



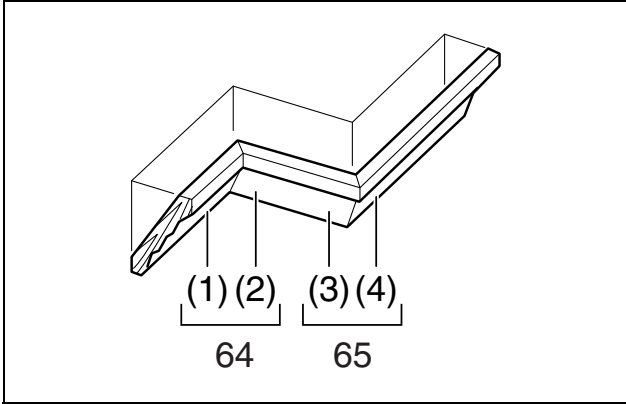
44



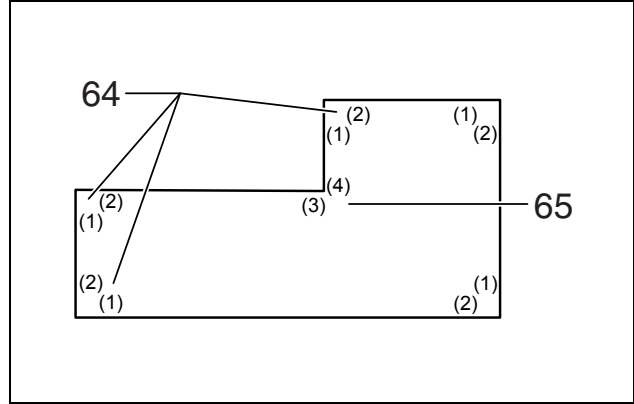
45



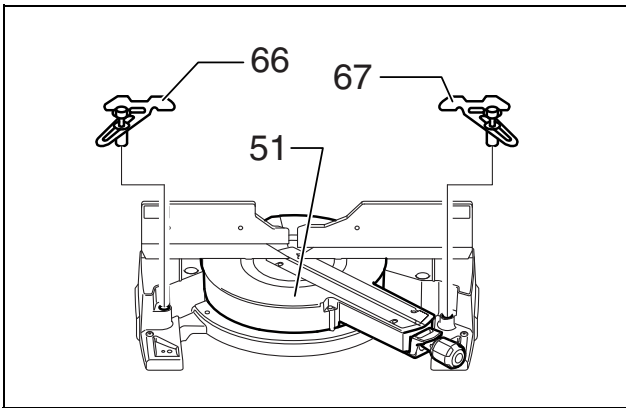
46



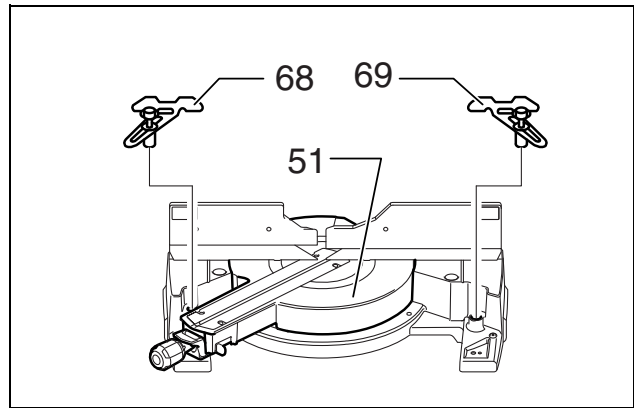
47



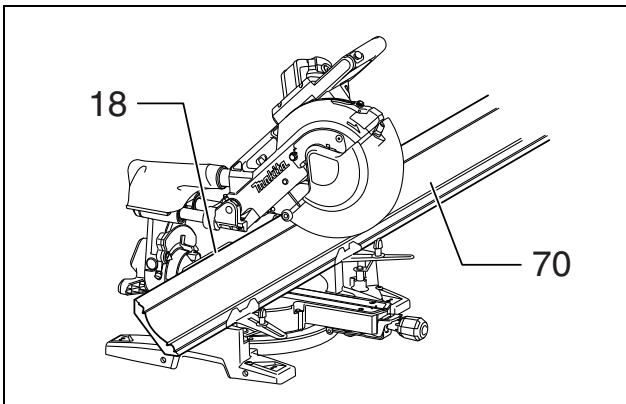
48



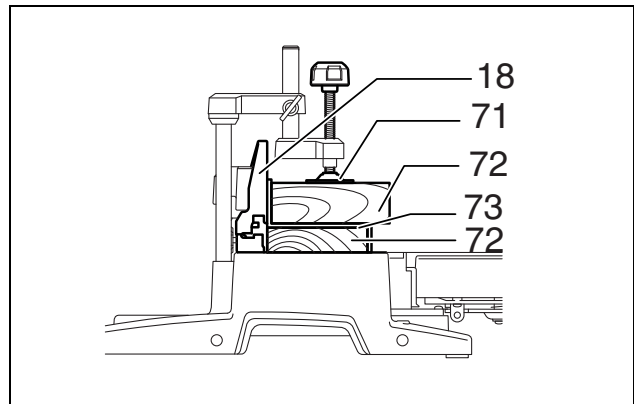
49



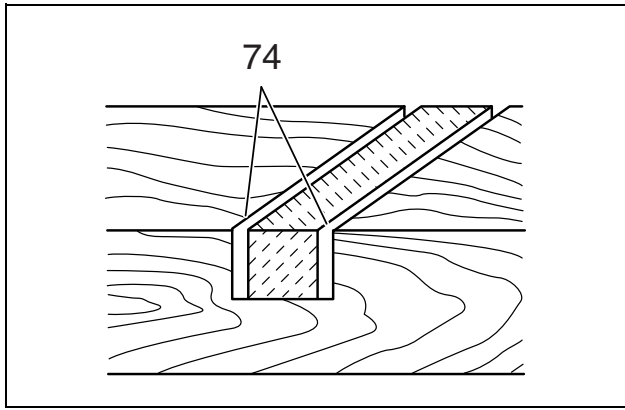
50



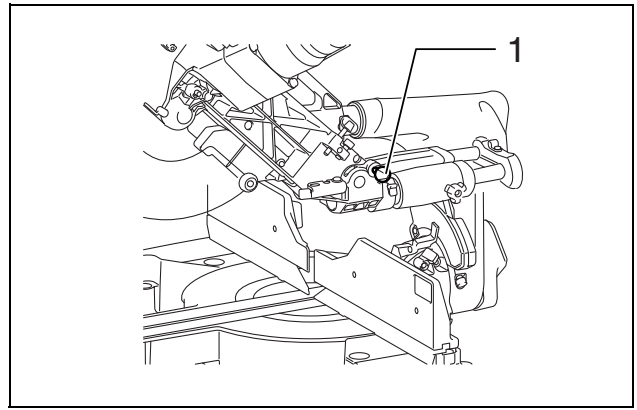
51



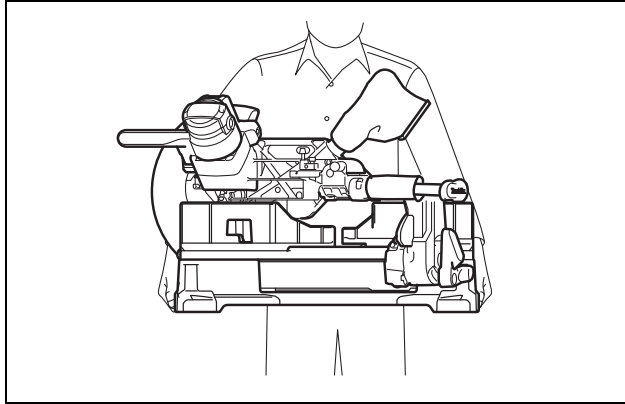
52



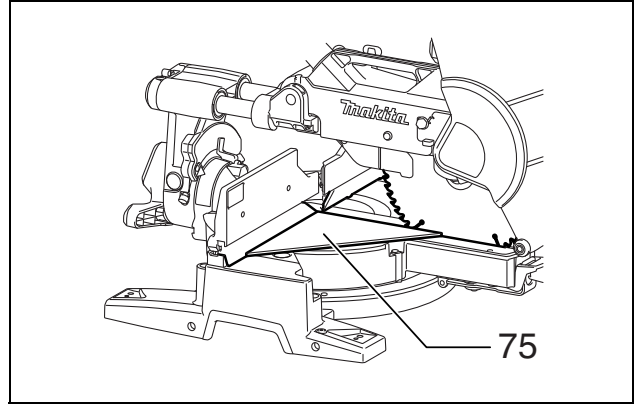
53



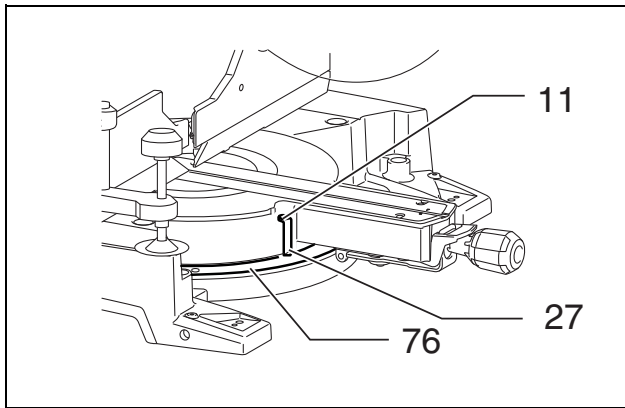
54



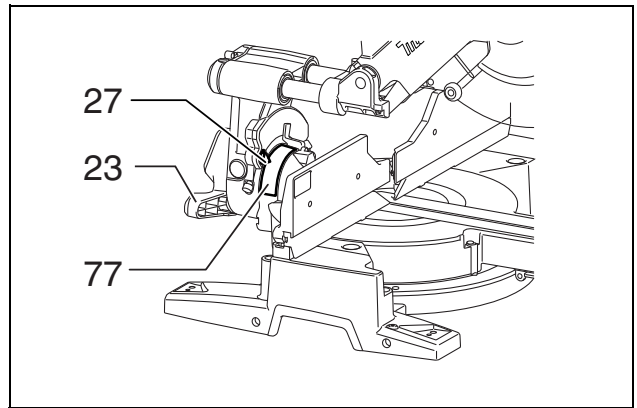
55



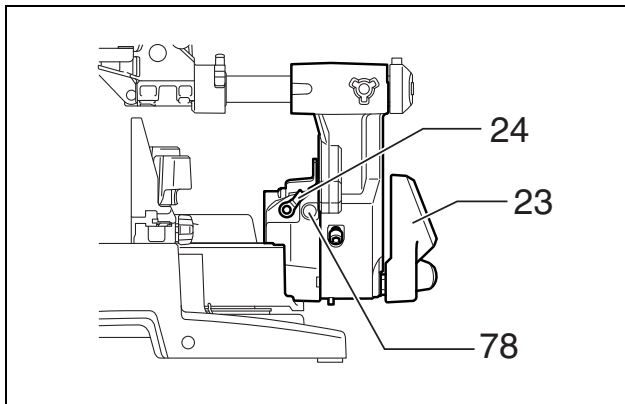
56



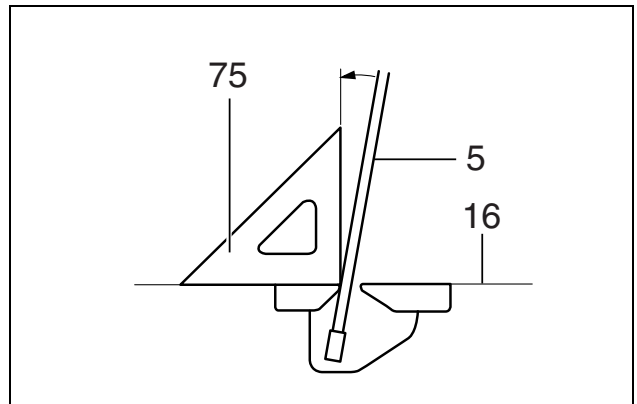
57



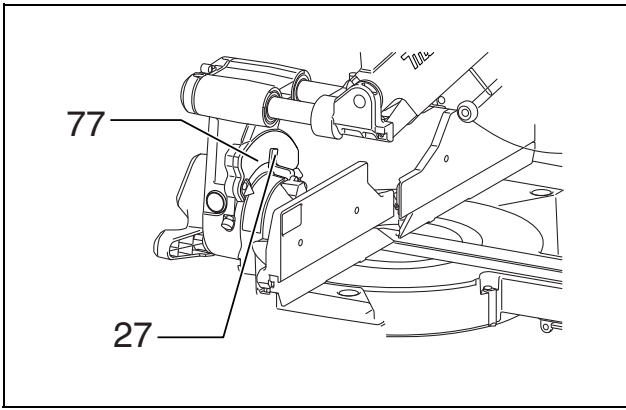
58



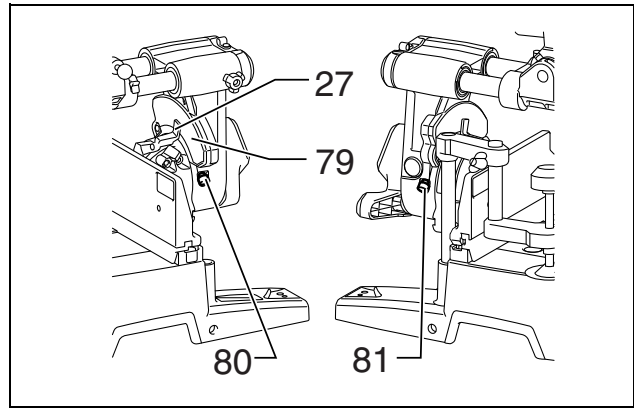
59



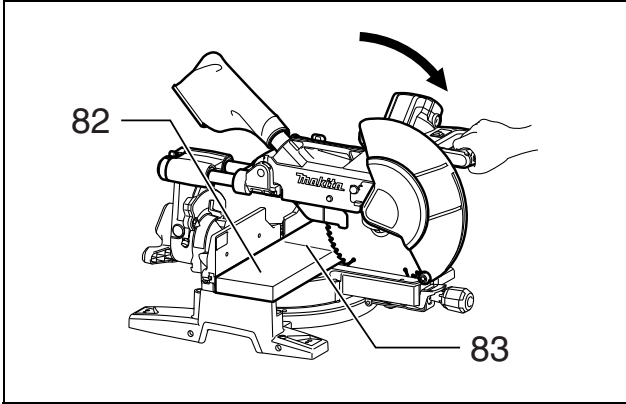
60



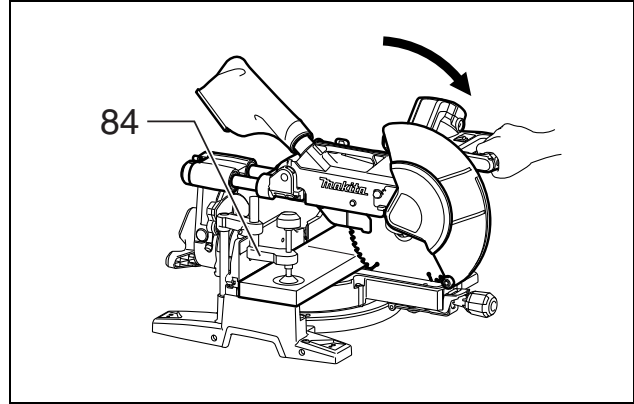
61



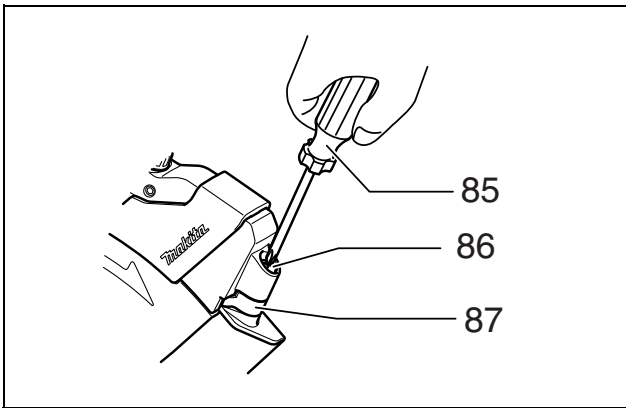
62



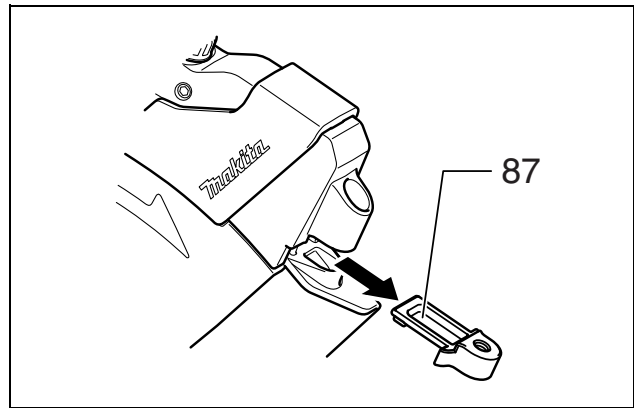
63



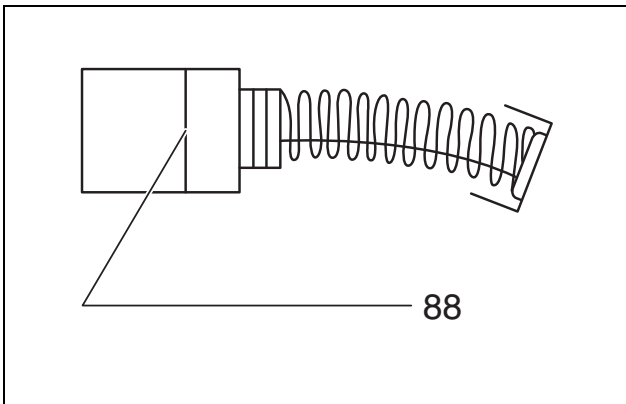
64



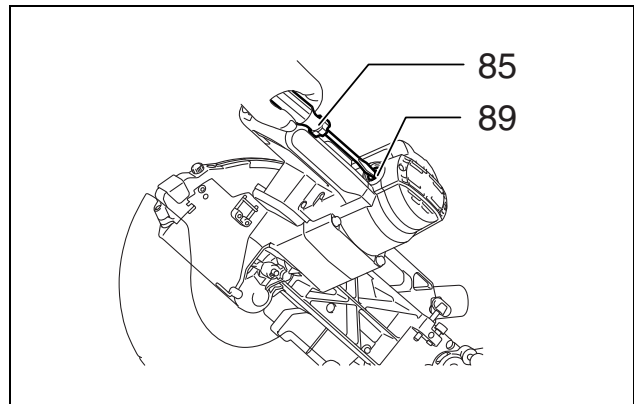
65



66



67



68

Symbols

The followings show the symbols used for the equipment. Be sure that you understand their meaning before use.

Symboles

Nous donnons ci-dessous les symboles utilisés pour l'outil. Assurez-vous que vous en avez bien compris la signification avant d'utiliser l'outil.

Symbole

Die folgenden Symbole werden für die Maschine verwendet. Machen Sie sich vor der Benutzung unbedingt mit ihrer Bedeutung vertraut.

Simboli

Per questo utensile vengono usati i simboli seguenti. Bisogna capire il loro significato prima di usare l'utensile.

Symbolen

Voor dit gereedschap worden de volgende symbolen gebruikt. Zorg ervoor dat u de betekenis van deze symbolen begrijpt alvorens het gereedschap te gebruiken.

Símbolos

A continuación se muestran los símbolos utilizados con esta herramienta. Asegúrese de que entienda su significado antes de usarla.

Símbolos

O seguinte mostra os símbolos utilizados para a ferramenta. Certifique-se de que compreende o seu significado antes da utilização.

Symboler

Nedenstående symboler er anvendt i forbindelse med denne maskine. Vær sikker på, at De har forstået symbolernes betydning, før maskinen anvendes.

Σύμβολα

Τα ακόλουθα δείχνουν τα σύμβολα που χρησιμοποιούνται για το μηχάνημα. Βεβαιωθείτε ότι καταλαβαίνετε τη σημασία τους πριν από τη χρήση.



- Read instruction manual.
- Lire le mode d'emploi.
- Bitte Bedienungsanleitung lesen.
- Leggete il manuale di istruzioni.
- Lees de gebruiksaanwijzing.
-
- Lea el manual de instrucciones.
- Leia o manual de instruções.
- Læs brugsanvisningen.
- Διαβάστε τις οδηγίες χρήσης.



- DOUBLE INSULATION
- DOBLE AISLAMIENTO
- DOUBLE ISOLATION
- DUPLO ISOLAMENTO
- DOPPELT SCHUTZISOLIERT
- DOBBELT ISOLERET
- DOPPIO ISOLAMENTO
- ΔΙΠΛΗ ΜΟΝΩΣΗ
- DUBBELE ISOLATIE



- To avoid injury from flying debris, keep holding the saw head down, after making cuts, until the blade has come to a complete stop.
- Pour éviter les blessures causées par les objets projetés, maintenez la tête de la scie en position basse une fois la coupe terminée, jusqu'à ce que la lame soit complètement arrêtée.
- Um Verletzungen durch herausgeschleuderte Teile zu vermeiden, halten Sie den Sägekopf nach Ausführung von Schnitten abgesenkt, bis das Sägeblatt völlig zum Stillstand gekommen ist.
- Per evitare lesioni dalle schegge volanti, dopo aver eseguito il taglio tenere abbassata la testa sega finché la lama non si è arrestata completamente.
- Om verwonding door weggeslingerd zaagafval te voorkomen, dient u na het voltooiën van een snede de zaagkop omlaag te houden totdat het zaagblad volledig tot stilstand is gekomen.
- Para evitar sufrir heridas a causa de restos que salen despedidos, siga sujetando la cabeza de la sierra hacia abajo, al terminar los cortes, hasta que el disco se haya parado completamente.
- Para evitar danos causados por aparos que saltem, mantenha a cabeça da serra para baixo, depois de terminar os cortes, até que a lâmina esteja completamente parada.
- For at undgå at komme til skade på grund af flyvende affald, skal man holde savhovedet nede efter skæring, indtil savklingen står helt stille.
- Για να αποφύγετε τραυματισμό από ιπτάμενα τεμαχίδια, κρατάτε το πριόνι με το κεφάλι προς τα κάτω, αφού κάνετε κοπές, μέχρι η λάμα να σταματήσει τελείως.



- When performing slide cut, first pull carriage fully and press down handle, then push carriage toward the guide fence.
- Lorsque vous effectuez une coupe en glissière, tirez d'abord complètement le chariot et abaissez la poignée, puis poussez le chariot vers le guide.
- Ziehen Sie den Schlitten zur Ausführung von Schiebeschnitten zunächst ganz vor, drücken Sie den Griff nach unten, und schieben Sie dann den Schlitten zum Gehrungsanschlag.
- Per eseguire un taglio di scorrimento, tirare prima completamente il carrello, premere giù il manico e spingere poi il carrello verso la guida pezzo.
- Bij drukkend (glijdend) zagen, dient u eerst de slede volledig naar u toe te trekken en het handvat omlaag te drukken. Duw daarna de slede naar de geleider toe.
- Cuando haga cortes de deslizamiento, primero tire del carro completamente y presione hacia abajo la empuñadura, después empuje el carro hacia la guía lateral.
- Quando executa corte corrediço, puxe primeiro o carro completamente e empurre a pega para baixo e em seguida empurre o carro na direcção da placa guia.
- Når man udfører savning ved gliden, skal man først trække slæden helt og trykke håndtaget ned og derefter trykke slæden mod anslaget.
- Όταν εκτελείτε ολισθητική κοπή, πρώτα τραβήχτε την κινητή βάση πλήρως και πατήστε την λαβή κάτω, μετά σπρώχτε την κινητή βάση προς τον φράχτη οδηγό.



- Do not place hand or fingers close to the blade.
- Ne pas placer les mains ou les doigts près de la lame.
- Halten Sie Hände oder Finger vom Sägeblatt fern.
- Non avvicinare le mani o le dita alla lama.
- Kom met uw handen of vingers niet te dicht bij het zaagblad.
- No ponga la mano ni los dedos cerca del disco.
- Não coloque a sua mão ou dedos perto da lâmina.
- Hold hænder og fingre på god afstand af klinger.
- Μη βάζετε το χέρι ή τα δάκτυλα κοντά στην λάμα.



- Never look into the laser beam. Direct laser beam may injure your eyes.
- Ne jamais regarder directement la source du faisceau laser. L'exposition directe au faisceau laser comporte un risque de blessure aux yeux.
- Blicken Sie auf keinen Fall in den Laserstrahl. Der direkte Laserstrahl kann Ihre Augen verletzen.
- Mai guardare direttamente il raggio laser. Il raggio laser può danneggiare gli occhi.
- Kijk nooit in de laserstraal. Een directe laserstraal kan oogletsel veroorzaken.
- No mire nunca directamente al rayo láser. El rayo láser directo puede dañar sus ojos.
- Nunca olhe para o raio laser. Se olhar directamente para o raio laser pode ferir os seus olhos.
- Se aldrig ind i laserstrålen. Direkte udsættelse for laserstråling kan skade dit syn.
- Ποτέ μη κυττάτε απευθείας την ακτίνα λέιζερ. Η απευθείας ακτίνα λέιζερ μπορεί να προκαλέσει τραυματισμό στα μάτια σας.



- Only for EU countries

Do not dispose of electric equipment together with household waste material!

In observance of European Directive 2002/96/EC on waste electrical and electronic equipment and its implementation in accordance with national law, electric equipment that have reached the end of their life must be collected separately and returned to an environmentally compatible recycling facility.

- Pour les pays européens uniquement

Ne pas jeter les équipements électriques dans les ordures ménagères !

Conformément à la directive européenne 2002/96/EG relative aux déchets d'équipements électriques ou électroniques (DEEE), et à sa transposition dans la législation nationale, les équipements électriques doivent être collectés à part et être soumis à un recyclage respectueux de l'environnement.

- Nur für EU-Länder

Werfen Sie Elektrogeräte nicht in den Hausmüll!

Gemäß Europäischer Richtlinie 2002/96/EG über Elektro- und Elektronik-Altgeräte und Umsetzung in nationales Recht müssen verbrauchte Elektrogeräte getrennt gesammelt und einer umweltgerechten Wiederverwertung zugeführt werden.

- Solo per Paesi UE

Non gettare le apparecchiature elettriche tra i rifiuti domestici.

Secondo la Direttiva Europea 2002/96/CE sui rifiuti di apparecchiature elettriche ed elettroniche e la sua attuazione in conformità alle norme nazionali, le apparecchiature elettriche esauste devono essere raccolte separatamente, al fine di essere riciclate in modo eco-compatibile.

- Alleen voor EU-landen

Geef elektrische apparaten niet met het huisvuil mee!

Volgens de Europese richtlijn 2002/96/EG inzake oude elektrische en elektronische apparaten en de toepassing daarvan binnen de nationale wetgeving, dient gebruikt elektrische apparaten gescheiden te worden ingezameld en te worden afgevoerd naar een recycle bedrijf dat voldoet aan de geldende milieu-eisen.

- Sólo para países de la Unión Europea

¡No deseche los aparatos eléctricos junto con los residuos domésticos!

De conformidad con la Directiva Europea 2002/96/CE sobre residuos de aparatos eléctricos y electrónicos y su aplicación de acuerdo con la legislación nacional, los aparatos eléctricos cuya vida útil haya llegado a su fin se deberán recoger por separado y trasladar a una planta de reciclaje que cumpla con las exigencias ecológicas.

- Apenas para países da UE

Não deite ferramentas eléctricas no lixo doméstico!

De acordo com a directiva europeia 2002/96/CE sobre ferramentas eléctricas e electrónicas usadas e a sua aplicação para as leis nacionais, as ferramentas eléctricas usadas devem ser recolhidas em separado e encaminhadas a uma instalação de reciclagem dos materiais ecológicos.

- Kun for EU-lande

Elværktøj må ikke bortskaffes som almindeligt affald!

I henhold til det europæiske direktiv 2002/96/EF om bortskaffelse af elektriske og elektroniske produkter og gældende national lovgivning skal brugt elværktøj indsamles separat og returneres til miljøgodkendt genindvinding.

- Μόνο για τις χώρες της ΕΕ

Μη πετάτε τα είδη ηλεκτρικού εξοπλισμού μαζί με τα οικιακά απορρίμματα.

Σε τήρηση της Ευρωπαϊκής Οδηγίας 2002/96/ΕΚ, περί απορριμμάτων ειδών ηλεκτρικού και ηλεκτρονικού εξοπλισμού και την εφαρμογή της σύμφωνα με την εθνική νομοθεσία, τα είδη ηλεκτρικού εξοπλισμού που έχουν φθάσει στο τέλος της ζωής τους πρέπει να συλλέγονται ξεχωριστά και να επιστρέφονται σε μία περιβαλλοντικά συμβατή εγκατάσταση ανακύκλωσης.

ENGLISH (Original instructions)

Explanation of general view

1 Stopper pin	34 Center cover	66 Crown molding stopper L (Optional accessory)
2 Hex bolt(s)	35 Shaft lock	67 Crown molding stopper R (Optional accessory)
3 Blade guard	36 Blade case	68 Crown molding stopper L
4 Kerf board	37 Arrow	69 Crown molding stopper R
5 Saw blade	38 Outer flange	70 Crown molding
6 Blade teeth	39 Inner flange	71 Vise
7 Left bevel cut	40 Spindle	72 Spacer block
8 Straight cut	41 Ring	73 Aluminum extrusion
9 Right bevel cut	42 Dust nozzle	74 Cut grooves with blade
10 Lock lever	43 Dust bag	75 Triangular rule
11 Screw	44 Fastener	76 Miter scale
12 Adjusting bolt	45 Dust box	77 Bevel scale plate
13 Turn base	46 Cover	78 0° Angle adjusting bolt
14 Stopper lever	47 Button	79 Scale plate
15 Slide pipe	48 Cylinder section	80 Left 45° bevel angle adjusting bolt
16 Top surface of turn base	49 Sawdust	81 Right 45° bevel angle adjusting bolt
17 Periphery of blade	50 Support	82 Workpiece
18 Guide fence	51 Turn base	83 Laser line
19 Adjusting screw	52 Clamping screws	84 Vertical vise
20 Stopper arm	53 Upper fence	85 Screwdriver
21 Grip	54 Lower fence	86 Screw (one piece only)
22 Cam	55 Vise knob	87 Lens for the laser light
23 Lever(s)	56 Vise arm	88 Limit mark
24 Latch lever	57 Vise rod	89 Brush holder cap
25 Scale plate	58 Vise plate	90 Locking screw
26 Release button	59 Vise nut	91 Switch for light
27 Pointer	60 Holder	92 Light
28 Lock-off button	61 52/38° type crown molding	93 Red indicating area
29 Switch trigger	62 45° type crown molding	
30 Hole for padlock	63 45° type cove molding	
31 Switch for laser	64 Inside corner	
32 Socket wrench	65 Outside corner	
33 Wrench holder		

SPECIFICATIONS

Model

LS1016/LS1016L/LS1016F/LS1016FL

Blade diameter

For all countries other than European countries 255 mm – 260 mm
 For European countries 260 mm

Hole diameter

For all countries other than European countries 25.4 mm
 For European countries 30 mm

Max. cutting capacities (H x W) with 260 mm in diameter

Miter angle	Bevel angle		
	45° (left)	0°	45° (right)
0°	42 mm x 310 mm	68 mm x 310 mm	29 mm x 310 mm
	58 mm x 279 mm	91 mm x 279 mm	43 mm x 279 mm
45° (right and left)	42 mm x 218 mm	68 mm x 218 mm	29 mm x 218 mm
	58 mm x 197 mm	91 mm x 197 mm	43 mm x 197 mm
52° (right and left)	–	68 mm x 190 mm	–
	–	91 mm x 171 mm	–
60° (right)	–	68 mm x 155 mm	–
	–	91 mm x 139 mm	–

Special Max. Cutting capacities

Crown molding 45° type (with Crown molding stopper used)	168 mm
Base board (H) (with Horizontal vise used)	120 mm

No load speed (min⁻¹) 3,200
 Laser Type (LS1016L, LS1016FL).....Red Laser 650 nm, <1.6mW (Laser Class 2M)
 Dimensions (L x W x H) 718 mm x 640 mm x 671 mm

Net weight

For all countries other than European countries

LS1016 23.6 kg
 LS1016L/LS1016F..... 23.7 kg
 LS1016FL 23.8 kg

For European countries

LS1016 24.1 kg
 LS1016L/LS1016F..... 24.2 kg
 LS1016FL 24.3 kg

Safety class  /II

- Due to our continuing program of research and development, the specifications herein are subject to change without notice.
- Specifications may differ from country to country.
- Weight according to EPTA-Procedure 01/2003

Intended use


The tool is intended for accurate straight and miter cutting in wood. With appropriate saw blades, aluminum can also be sawed.

Power supply

The tool should be connected only to a power supply of the same voltage as indicated on the nameplate, and can only be operated on single-phase AC supply. They are double-insulated in accordance with European Standard and can, therefore, also be used from sockets without earth wire.

GEA010-1

General Power Tool Safety Warnings

 **WARNING** Read all safety warnings and all instructions. Failure to follow the warnings and instructions may result in electric shock, fire and/or serious injury.

Save all warnings and instructions for future reference.

ENB034-6

ADDITIONAL SAFETY RULES FOR TOOL

1. Wear eye protection.
2. Keep hands out of path of saw blade. Avoid contact with any coasting blade. It can still cause severe injury.
3. Do not operate saw without guards in place. Check blade guard for proper closing before each use. Do not operate saw if blade guard does not move freely and close instantly. Never clamp or tie the blade guard into the open position.
4. Do not perform any operation freehand. The workpiece must be secured firmly against the turn base and guide fence with the vise during all operations. Never use your hand to secure the workpiece.
5. Never reach around saw blade.
6. Turn off tool and wait for saw blade to stop before moving workpiece or changing settings.
7. Unplug tool before changing blade or servicing.
8. Always secure all moving portions before carrying the tool.
9. Stopper pin which locks the cutter head down is for carrying and storage purposes only and not for any cutting operations.
10. Do not use the tool in the presence of flammable liquids or gases. The electrical operation of the tool could create an explosion and fire when exposed to flammable liquids or gases.
11. Check the blade carefully for cracks or damage before operation. Replace cracked or damaged blade immediately.
12. Use only flanges specified for this tool.
13. Be careful not to damage the arbor, flanges (especially the installing surface) or bolt. Damage to these parts could result in blade breakage.
14. Make sure that the turn base is properly secured so it will not move during operation.
15. For your safety, remove the chips, small pieces, etc. from the table top before operation.
16. Avoid cutting nails. Inspect for and remove all nails from the workpiece before operation.
17. Make sure the shaft lock is released before the switch is turned on.
18. Be sure that the blade does not contact the turn base in the lowest position.
19. Hold the handle firmly. Be aware that the saw moves up or down slightly during start-up and stopping.
20. Make sure the blade is not contacting the workpiece before the switch is turned on.
21. Before using the tool on an actual workpiece, let it run for a while. Watch for vibration or wobbling that could indicate poor installation or a poorly balanced blade.
22. Wait until the blade attains full speed before cutting.
23. Stop operation immediately if you notice anything abnormal.
24. Do not attempt to lock the trigger in the on position.
25. Be alert at all times, especially during repetitive, monotonous operations. Don't be lulled into a false sense of security. Blades are extremely unforgiving.

26. Always use accessories recommended in this manual. Use of improper accessories such as abrasive wheels may cause an injury.
27. Do not use the saw to cut other than wood, aluminum or similar materials.
28. Connect miter saws to a dust collecting device when sawing.
29. Select saw blades in relation to the material to be cut.
30. Take care when slotting.
31. Replace the kerf board when worn.
32. Do not use saw blades manufactured from high speed steel.
33. Some dust created from operation contains chemicals known to cause cancer, birth defects or other reproductive harm. Some examples of these chemicals are:
 - lead from lead-based-painted material and,
 - arsenic and chromium from chemically-treated lumber.

Your risk from these exposures varies, depending on how often you do this type of work. To reduce your exposure to these chemicals: work in a well ventilated area and work with approved safety equipment, such as those dust masks that are specially designed to filter out microscopic particles.
34. To reduce the emitted noise, always be sure that the blade is sharp and clean.
35. The operator is adequately trained in the use, adjustment and operation of the machine.
36. Use correctly sharpened saw blades. Observe the maximum speed marked on the saw blade.
37. Refrain from removing any cut-offs or other parts of the workpiece from the cutting area whilst the tool is running and the saw head is not in the rest position.
38. Use only saw blades recommended by the manufacturer which conform to EN847-1.
39. Wear gloves for handling saw blade (saw blades shall be carried in a holder wherever practicable) and rough material.
40. When fitted with laser, no exchange with different type of laser is permitted. Repairs shall only be carried out correctly.

SAVE THESE INSTRUCTIONS

INSTALLATION

Bench mounting

When the tool is shipped, the handle is locked in the lowered position by the stopper pin. Release the stopper pin by simultaneously applying a slight downward pressure on the handle and pulling the stopper pin. (Fig. 1)

WARNING:

- **Ensure that the tool will not move on the supporting surface.** Movement of the miter saw on the supporting surface while cutting may result in loss of control and serious personal injury.

This tool should be bolted with four bolts to a level and stable surface using the bolt holes provided in the tool's base. This will help prevent tipping and possible injury. (Fig. 2)

FUNCTIONAL DESCRIPTION

WARNING:

- **Always be sure that the tool is switched off and unplugged before adjusting or checking function on the tool.** Failure to switch off and unplug the tool may result in serious personal injury from accidental start-up.

Blade guard (Fig. 3 & 4)

When lowering the handle, the blade guard rises automatically. The blade guard returns to its original position when the cut is completed and the handle is raised.

WARNING:

- **Never defeat or remove the blade guard or the spring which attaches to the guard.** An exposed blade as a result of defeated guarding may result in serious personal injury during operation.

In the interest of your personal safety, always maintain the blade guard in good condition. Any irregular operation of the blade guard should be corrected immediately. Check to assure spring loaded return action of guard.

WARNING:

- **Never use the tool if the blade guard or spring are damaged, faulty or removed.** Operation of the tool with a damaged, faulty or removed guard may result in serious personal injury.

If the see-through blade guard becomes dirty, or sawdust adheres to it in such a way that the blade and/or workpiece is no longer easily visible, unplug the saw and clean the guard carefully with a damp cloth. Do not use solvents or any petroleum-based cleaners on the plastic guard because this may cause damage to the guard.

If the blade guard becomes dirty and needs to be cleaned for proper operation follow the steps below:

With the tool switched off and unplugged, use the supplied socket wrench to loosen the hex bolt holding the center cover. Loosen the hex bolt by turning it counterclockwise and raise the blade guard and center cover.

With the blade guard so positioned, cleaning can be more completely and efficiently accomplished. When cleaning is complete, reverse procedure above and secure bolt. Do not remove spring holding blade guard. If guard becomes damaged through age or UV light exposure, contact a Makita service center for a new guard.

DO NOT DEFEAT OR REMOVE GUARD.

Positioning kerf board (Fig. 5, 6 & 7)

This tool is provided with the kerf boards in the turn base to minimize tearing on the exit side of a cut. The kerf boards are factory adjusted so that the saw blade does not contact the kerf boards. Before use, adjust the kerf boards as follows:

First, unplug the tool. Loosen all the screws (2 each on left and right) securing the kerf boards. Re-tighten them only to the extent that the kerf boards can still be easily moved by hand. Lower the handle fully and push in the stopper pin to lock the handle in the lowered position. Loosen the locking screw counterclockwise which secures the upper slide poles and also push forward the lock lever which secures the lower slide poles. Pull the carriage toward you fully. Adjust the kerf boards so that the kerf boards just contact the sides of the blade teeth. Tighten the front screws (do not tighten firmly). Push the carriage toward the guide fence fully and adjust the kerf boards so that the kerf boards just contact the sides of blade teeth. Tighten the rear screws (do not tighten firmly).

After adjusting the kerf boards, release the stopper pin and raise the handle. Then tighten all the screws securely.

NOTICE:

- **After setting the bevel angle ensure that the kerf boards are adjusted properly.** Correct adjustment of the kerf boards will help provide proper support of the workpiece minimizing workpiece tear out.

Maintaining maximum cutting capacity (Fig. 8, 9 & 10)

This tool is factory adjusted to provide the maximum cutting capacity for a 260 mm saw blade.

Unplug the tool before any adjustment is attempted.

When installing a new blade, always check the lower limit position of the blade and if necessary, adjust it as follows: First, unplug the tool. Lower the stopper lever to position the saw blade as shown in the figure. Push the carriage toward the guide fence fully and lower the handle completely. Use the socket wrench to turn the adjusting bolt until the periphery of the blade extends slightly below the top surface of the turn base at the point where the front face of the guide fence meets the top surface of the turn base.

With the tool unplugged, rotate the blade by hand while holding the handle all the way down to be sure that the blade does not contact any part of the lower base. Re-adjust slightly, if necessary.

After adjustment, always return the stopper lever to the original position by turning it counterclockwise.

WARNING:

- **After installing a new blade and with the tool unplugged, always be sure that the blade does not contact any part of the lower base when the handle is lowered completely.** If a blade makes contact with the base it may cause kickback and result in serious personal injury.

Stopper arm (Fig. 11)

The lower limit position of the blade can be easily adjusted with the stopper arm. To adjust it, rotate the stopper arm in the direction of the arrow as shown in the figure. Adjust the adjusting screw so that the blade stops at the desired position when lowering the handle fully.

Adjusting the miter angle (Fig. 12)

Push the grip so that the cams engages and turn it clockwise until it stops. Turn the turn base while pressing down the lock lever. When you have moved the grip to the position where the pointer points to the desired angle on the miter scale, turn the grip 90° counterclockwise to lock the turn base.

CAUTION:

- After changing the miter angle, always secure the turn base by turning the grip 90° counterclockwise.

NOTICE:

- When turning the turn base, be sure to raise the handle fully.

Adjusting the bevel angle (Fig. 13, 14 & 15)

To adjust the bevel angle, loosen the lever at the rear of the tool counterclockwise. Push the latch lever forward as shown in the figure fully while supporting the weight of the saw head so as to release the pressure on the lock pin.

When tilting the carriage to the right, tilt the carriage to the left slightly after loosening the lever and press the releasing button. With the releasing button being pressed, tilt the carriage to the right.

Tilt the saw blade until the pointer points to the desired angle on the bevel scale. Then tighten the lever clockwise firmly to secure the arm.

When the latch lever is pulled towards the front of the saw, the saw blade can be locked using positive stops at the right and left 22.5 ° and 33.9 ° angle to the base surface.

When the latch lever is pushed to the back of the saw as shown in the figure, the saw blade can be locked at any desired angle within the specified bevel angle range.

CAUTION:

- After changing the bevel angle, always secure the arm by tightening the lever clockwise.

NOTICE:

- When tilting the saw blade be sure the handle is fully raised.
- When changing bevel angles, be sure to position the kerf boards appropriately as explained in the "Positioning kerf board" section.

Slide lock adjustment (Fig. 16)

To lock the lower slide pole, pull the lock lever towards the front of the saw.

To lock the upper slide pole, turn the locking screw clockwise.

Switch action

For European countries (Fig. 17)

To prevent the switch trigger from being accidentally pulled, a lock-off button is provided. To start the tool, push the lever to the left, press in the lock-off button and then pull the switch trigger. Release the switch trigger to stop.

WARNING:

- **Before plugging in the tool, always check to see that the switch trigger actuates properly and returns to the "OFF" position when released. Do not pull the switch trigger hard without pressing in the lock-off button. This can cause switch breakage.** Operating a tool with a switch that does not actuate properly can lead to loss of control and serious personal injury.

A hole is provided in the switch trigger for insertion of padlock to lock the tool off.

For all countries other than European countries (Fig. 18)

To prevent the switch trigger from being accidentally pulled, a lock-off button is provided. To start the tool, press in the lock-off button and pull the switch trigger. Release the switch trigger to stop.

WARNING:

- **Before plugging in the tool, always check to see that the switch trigger actuates properly and returns to the "OFF" position when released. Do not pull the switch trigger hard without pressing in the lock-off button. This can cause switch breakage.** Operating a tool with a switch that does not actuate properly can lead to loss of control and serious personal injury.

A hole is provided in the switch trigger for insertion of padlock to lock the tool off.

WARNING:

- **Do not use a lock with a shank or cable any smaller than 6.35 mm in diameter.** A smaller shank or cable may not properly lock the tool in the off position and unintentional operation may occur resulting in serious personal injury.
- **NEVER use tool without a fully operative switch trigger.** Any tool with an inoperative switch is HIGHLY DANGEROUS and must be repaired before further usage or serious personal injury may occur.
- For your safety, this tool is equipped with a lock-off button which prevents the tool from unintended starting. NEVER use the tool if it runs when you simply pull the switch trigger without pressing the lock-off button. A switch in need of repair may result in unintentional operation and serious personal injury. Return tool to a Makita service center for proper repairs BEFORE further usage.
- NEVER defeat the lock-off button by taping down or some other means. A switch with a defeated lock-off button may result in unintentional operation and serious personal injury.

Lighting up the lamps (Fig. 19)

For Models LS1016F and LS1016FL only

CAUTION:

- This is not a rainproof light. Do not wash the light in water or use it in a rain or a wet area. Such a conduct can cause an electric shock and fume.
- Do not touch the lens of the light, as it is very hot while it is lighted or shortly after it is turned off. This may cause a burn to a human body.
- Do not apply impact to the light, which may cause damage or shorted service time to it.
- Do not keep casting the beam of the light to your eyes. This can cause your eyes to be hurt.
- Do not cover the light with clothes, carton, cardboard or similar objects while it is lighted, which can cause a fire or an ignition.

To turn on the light, press the upper position (I) of the switch. To turn off the light, press the lower position (O) of the switch.

Move the light to shift an area of lighting.

NOTE:

- Use a dry cloth to wipe the dirt off the lens of lamp. Be careful not to scratch the lens of light, or it may lower the illumination.

Electronic function

Constant speed control

- The tool is provided with an electronic speed control which helps maintain a constant blade rotation speed even under load. A constant blade rotation speed will result in a very smooth cut.

Soft start feature

- This function allows the smooth start-up of the tool by limiting the start-up torque.

Laser beam action

For Models LS1016L and LS1016FL only

CAUTION:

- Never look into the laser beam. Direct laser beam may injure your eyes.
- **LASER RADIATION, DO NOT STARE INTO THE BEAM OR VIEW DIRECTLY WITH OPTICAL INSTRUMENTS, CLASS 2M LASER PRODUCT.**

To turn on the laser beam, press the upper position (I) of the switch. To turn off the laser beam, press the lower position (O) of the switch. **(Fig. 20)**

Laser line can be shifted to either the left or right side of the saw blade by adjusting the adjusting screw as follows. **(Fig. 21)**

1. Loosen the adjusting screw by turning it counter-clockwise.
2. With the adjusting screw loosened, slide the adjusting screw to the right or left as far as it goes.
3. Tighten the adjusting screw firmly at the position where it stops sliding.

Laser line is factory adjusted so that it is positioned within 1 mm from the side surface of the blade (cutting position).

NOTE:

- When laser line appears dim and hard to see because of direct sunlight, relocate the work area to a place where there is less direct sunlight.

Aligning the laser line (Fig. 22)

Laser line can be shifted to either the left or right side of the blade according to the applications of cutting. Refer to explanation titled "Laser beam action" regarding its shifting method.

NOTE:

- Use wood facing against the guide fence when aligning the cutting line with the laser line at the side of guide fence in compound cutting (bevel angle 45 degrees and miter angle right 45 degrees).
 - A) When you obtain the correct size on the left side of workpiece
 - Shift the laser line to the left of the blade.
 - B) When you obtain the correct size on the right side of workpiece
 - Shift the laser line to the right of the blade.Align the cutting line on your workpiece with the laser line.

ASSEMBLY

WARNING:

- **Always be sure that the tool is switched off and unplugged before working on the tool.** Failure to switch off and unplug the tool may result in serious personal injury.

Socket wrench storage (Fig. 23)

The socket wrench is stored as shown in the figure.

When the socket wrench is needed it can be pulled out of the wrench holder.

After using the socket wrench it can be stored by returning it to the wrench holder.

Installing or removing saw blade

WARNING:

- **Always be sure that the tool is switched off and unplugged before installing or removing the blade.** Accidental start up of the tool may result in serious personal injury.
- **Use only the Makita socket wrench provided to install or remove the blade.** Failure to use the wrench may result in overtightening or insufficient tightening of the hex bolt and serious personal injury.

Lock the handle in the raised position by pushing in the stopper pin. **(Fig. 24)**

To remove the blade, use the socket wrench to loosen the hex bolt holding the center cover by turning it counterclockwise. Raise the blade guard and center cover. (Fig. 25)

Press the shaft lock to lock the spindle and use the socket wrench to loosen the hex bolt clockwise. Then remove the hex bolt, outer flange and blade. (Fig. 26)

NOTE:

- If the inner flange is removed be sure to install it on the spindle with its protrusion facing away from the blade. If the flange is installed incorrectly the flange will rub against the machine.

WARNING:

- **Before mounting the blade onto the spindle, always be sure that the correct ring for the blade's arbor hole you intend to use is installed between the inner and the outer flanges.** Use of the incorrect arbor hole ring may result in the improper mounting of the blade causing blade movement and severe vibration resulting in possible loss of control during operation and in serious personal injury.

To install the blade, mount it carefully onto the spindle, making sure that the direction of the arrow on the surface of the blade matches the direction of the arrow on the blade case.

Install the outer flange and hex bolt, and then use the socket wrench to tighten the hex bolt (left-handed) securely counterclockwise while pressing the shaft lock. (Fig. 27 & 28)

Return the blade guard and center cover to its original position. Then tighten the hex bolt clockwise to secure the center cover. Release the handle from the raised position by pulling the stopper pin. Lower the handle to make sure that the blade guard moves properly. Make sure the shaft lock has released spindle before making cut. (Fig. 29)

Dust bag (Fig. 30)

The use of the dust bag makes cutting operations cleaner and dust collection easier. To attach the dust bag, fit it onto the dust nozzle.

When the dust bag is about half full, remove the dust bag from the tool and pull the fastener out. Empty the dust bag of its contents, tapping it lightly so as to remove particles adhering to the insides which might hamper further collection.

NOTE:

- If you connect a vacuum cleaner to your saw, cleaner operations can be performed.

Dust box (optional accessory) (Fig. 31, 32 & 33)

Insert the dust box into the dust nozzle.

Empty the dust box when necessary.

To empty the dust box, open the cover by pushing the button and dispose of the sawdust. Return the cover to the original position and lock it in place. Dust box can easily be removed by pulling it out while turning it near the dust nozzle on the tool.

NOTE:

- If you connect a Makita vacuum cleaner to this tool, cleaner operations can be performed.

NOTICE:

- Empty the dust box before collected sawdust level reaches the cylinder section.

Securing workpiece

WARNING:

- **It is extremely important to always secure the workpiece correctly with the proper type of vise or crown molding stoppers.** Failure to do so may result in serious personal injury and cause damage to the tool and/or the workpiece.
- **After a cutting operation do not raise the blade until it has come to a complete stop.** The raising of a coasting blade may result in serious personal injury and damage to the workpiece.
- **When cutting a workpiece that is longer than the support base of the saw, the material should be supported the entire length beyond the support base and at the same height to keep the material level.** Proper workpiece support will help avoid blade pinch and possible kickback which may result in serious personal injury. Do not rely solely on the vertical vise and/or horizontal vise to secure the workpiece. Thin material tends to sag. Support workpiece over its entire length to avoid blade pinch and possible KICKBACK. (Fig. 34)

Guide fence (SLIDING FENCES which are upper and lower fences) adjustment

WARNING:

- Before operating the tool, make sure that the upper and lower fences are secured firmly.
- **Before bevel-cutting, make sure that no part of the tool, especially the blade, contacts the upper and lower fences when fully lowering and raising the handle in any position and while moving the carriage through its full range of travel.** If the tool or blade makes contact with the fence this may result in kickback or unexpected movement of the material and serious personal injury.

The lower fences can be moved inward and outward by loosening the clamping screws. (Fig. 35)

A red indicating area will appear as the lower fences are moved inward and will disappear as the lower fences are moved outward.

The upper fences can be removed or moved inward and outward by loosening the levers. (Fig. 36)

In case of bevel-cutting, adjust the lower and upper fence positions to be as close to the blade as practical to provide maximum workpiece support, and make sure that no part of the tool, especially the blade, contacts the lower and upper fences when lowering and raising the handle fully at any position and pulling or pushing the carriage all the way at the lowest position. (Fig. 37)

Before cutting operations, make a dry run with the saw turned off and unplugged, then check clearance between fences and moving parts.

Before cutting operations, firmly secure lower fences by tightening the clamping screws and upper fences by tightening the levers.

When bevel-cutting operations are complete, don't forget to return the upper fences to the original position and return it.

Vertical vise (Fig. 38)

The vertical vise can be installed in two positions on either the left or right side of the base. Insert the vise rod into the hole in the base.

Position the vise arm according to the thickness and shape of the workpiece and secure the vise arm by tightening the screw. If the screw to secure the vise arm contacts the carriage, install the screw on the opposite side of vise arm. Make sure that no part of the tool contacts the vise when lowering the handle fully and pulling or pushing the carriage all the way. If some part contacts the vise, re-position the vise.

Press the workpiece flat against the guide fence and the turn base. Position the workpiece at the desired cutting position and secure it firmly by tightening the vise knob.

Turning the vise knob to 90° counterclockwise allows the vise knob to be moved up and down, facilitating the quick setting of workpiece. To secure the workpiece after setting, turn the vise knob clockwise.

WARNING:

- **The workpiece must be secured firmly against the turn base and guide fence with the vise during all operations.** If the workpiece is not properly secured against the fence the material may move during the cutting operation causing possible damage to the blade, causing the material to be thrown and loss of control resulting in serious personal injury.

Horizontal vise (optional accessory) (Fig. 39 & 40)

The horizontal vise can be installed in two positions on either the left or right side of the base.

When performing 15° or greater miter cuts, install the horizontal vise on the side opposite the direction in which the turn base is to be turned.

By flipping the vise nut counterclockwise, the vise is released, and rapidly moves in and out. To grip the workpiece, push the vise knob forward until the vise plate contacts the workpiece and flip the vise nut clockwise. Then turn the vise knob clockwise to secure the workpiece.

The maximum width of workpiece which can be secured by the horizontal vise is 215 mm.

WARNING:

- **Always rotate the vise nut clockwise until the workpiece is properly secured.** If the workpiece is not properly secured the material may move during the cutting operation causing possible damage to the blade, causing the material to be thrown and loss of control resulting in serious personal injury.
- When cutting a thin workpiece, such as base boards, against the fence, always use the horizontal vise.

Holdings (optional accessory) (Fig. 41)

The holders can be installed on either side as a convenient means of holding workpieces horizontally. Slip the holder rods into the holes in the base and adjust their length according to the workpiece to be held. Then tighten the holders securely with the screws.

WARNING:

- **Always support a long workpiece so it is level with the top surface of the turn base for an accurate cut and to prevent dangerous loss of tool control.** Proper workpiece support will help avoid blade pinch and possible kickback which may result in serious personal injury.

OPERATION

NOTICE:

- Before use, be sure to release the handle from the lowered position by pulling the stopper pin.
- Do not apply excessive pressure on the handle when cutting. Too much force may result in overload of the motor and/or decreased cutting efficiency. Push down handle with only as much force as is necessary for smooth cutting and without significant decrease in blade speed.
- Gently press down the handle to perform the cut. If the handle is pressed down with force or if lateral force is applied, the blade will vibrate and leave a mark (saw mark) in the workpiece and the precision of the cut will be impaired.
- During a slide cut, gently push the carriage toward the guide fence without stopping. If the carriage movement is stopped during the cut, a mark will be left in the workpiece and the precision of the cut will be impaired.

WARNING:

- **Make sure the blade is not contacting the workpiece, etc. before the switch is turned on.** Turning the tool on with the blade in contact with the workpiece may result in kickback and serious personal injury.

1. Press cutting (cutting small workpieces) (Fig. 42)

Workpieces up to 68 mm high and 160 mm wide can be cut in the following manner.

After turning the stopper lever clockwise and sliding the carriage to your desired position, push the carriage toward the guide fence fully and tighten the locking screw clockwise and pull the lock lever towards the front of the saw to secure the carriage. Secure the workpiece correctly with the proper type of vise or crown molding stoppers.

Switch on the tool without the blade making any contact and wait until the blade attains full speed before lowering. Then gently lower the handle to the fully lowered position to cut the workpiece. When the cut is completed, switch off the tool and **WAIT UNTIL THE BLADE HAS COME TO A COMPLETE STOP** before returning the blade to its fully elevated position.

WARNING:

- **Firmly tighten the locking screw clockwise and pull the lock lever towards the front of the saw so that the carriage will not move during operation.** Insufficient tightening of the locking screw may cause possible kickback which may result in serious personal injury.

2. Slide (push) cutting (cutting wide workpieces) (Fig. 43 & 44)

Loosen the locking screw counterclockwise and also push forward the lock lever so that the carriage can slide freely. Secure the workpiece with the proper type of vise. Pull the carriage toward you fully. Switch on the tool without the blade making any contact and wait until the blade attains full speed. Press the handle down and **PUSH THE CARRIAGE TOWARD THE GUIDE FENCE AND THROUGH THE WORKPIECE.** When the cut is completed, switch off the tool and **WAIT UNTIL THE BLADE HAS COME TO A COMPLETE STOP** before returning the blade to its fully elevated position.

WARNING:

- **Whenever performing a slide cut, first pull the carriage full towards you and press the handle all the way down, then push the carriage toward the guide fence. Never start the cut with the carriage not pulled fully toward you.** If you perform the slide cut without the carriage pulled fully toward you unexpected kickback may occur and serious personal injury may result.
- **Never attempt to perform a slide cut by pulling the carriage towards you.** Pulling the carriage towards you while cutting may cause unexpected kickback resulting in possible serious personal injury.
- Never perform the slide cut with the handle locked in the lowered position.
- **Never loosen the knob which secures the carriage while the blade is rotating.** A loose carriage while cutting may cause unexpected kickback resulting in possible in serious personal injury.

3. Mitre cutting

Refer to the previously covered "Adjusting the miter angle".

4. Bevel cut (Fig. 45)

Loosen the lever and tilt the saw blade to set the bevel angle (Refer to the previously covered "Adjusting the bevel angle"). Be sure to retighten the lever firmly to secure the selected bevel angle safely. Secure the workpiece with a vise. Make sure the carriage is pulled all the way back toward the operator. Switch on the tool without the blade making any contact and wait until the blade attains full speed. Then gently lower the handle to the fully lowered position while applying pressure in parallel with the blade and **PUSH THE CARRIAGE TOWARD THE GUIDE FENCE TO CUT THE WORKPIECE.** When the cut is completed, switch off the tool and **WAIT UNTIL THE BLADE HAS COME TO A COMPLETE STOP** before returning the blade to its fully elevated position.

WARNING:

- **After setting the blade for a bevel cut, before operating the tool ensure that the carriage and blade will have free travel throughout the entire range of the intended cut.** Interruption of the carriage or blade travel during the cutting operation may result in kickback and serious personal injury.

Measuring

Measure the wall length and adjust workpiece on table to cut wall contact edge to desired length. Always make sure that cut workpiece length **at the back of the workpiece** is the same as wall length. Adjust cut length for angle of cut. Always use several pieces for test cuts to check the saw angles.

When cutting crown and cove moldings, set the bevel angle and miter angle as indicated in the table (A) and position the moldings on the top surface of the saw base as indicated in the table (B).

In the case of left bevel cut

Table (A)

	Molding position in Fig. 47 & 48	Bevel angle		Miter angle	
		52/38° type	45° type	52/38° type	45° type
For inside corner	(1)	Left 33.9°	Left 30°	Right 31.6°	Right 35.3°
	(2)			Left 31.6°	Left 35.3°
For outside corner	(3)			Right 31.6°	Right 35.3°
	(4)				

- **While making a bevel cut keep hands out of the path of the blade.** The angle of the blade may confuse the operator as to the actual blade path while cutting and contact with the blade will result in serious personal injury.
- **The blade should not be raised until it has come to a complete stop.** During a bevel cut the piece cut off may come to rest against the blade. If the blade is raised while it is rotating the cut-off piece maybe ejected by the blade causing the material to fragment which may result in serious personal injury.

NOTICE:

- When pressing down the handle, apply pressure in parallel with the blade. If a force is applied perpendicularly to the turn base or if the pressure direction is changed during a cut, the precision of the cut will be impaired.
- Before bevel-cutting, an adjustment of the upper fence and lower fence maybe required. Refer to the section titled "Guide fence adjustment".

5. Compound cutting

Compound cutting is the process in which a bevel angle is made at the same time in which a miter angle is being cut on a workpiece. Compound cutting can be performed at the angle shown in the table.

Miter angle	Bevel angle
Left and Right 0° – 45°	Left and Right 0° – 45°

When performing compound cutting, refer to "Press cutting", "Slide cutting", "Miter cutting" and "Bevel cut" explanations.

6. Cutting crown and cove moldings

Crown and cove moldings can be cut on a compound miter saw with the moldings laid flat on the turn base.

There are two common types of crown moldings and one type of cove moldings; 52/38° wall angle crown molding, 45° wall angle crown molding and 45° wall angle cove molding. See illustrations. (Fig. 46)

There are crown and cove molding joints which are made to fit "Inside" 90° corners ((1) and (2) in Fig. 47 & 48) and "Outside" 90° corners ((3) and (4) in Fig. 47 & 48).

Table (B)

	Molding position in Fig. 47 & 48	Molding edge against guide fence	Finished piece
For inside corner	(1)	Ceiling contact edge should be against guide fence.	Finished piece will be on the Left side of blade.
	(2)	Wall contact edge should be against guide fence.	
For outside corner	(3)	Ceiling contact edge should be against guide fence.	Finished piece will be on the Right side of blade.
	(4)		

Example:

In the case of cutting 52/38° type crown molding for position (1) in **Fig. 47 & 48**:

- Tilt and secure bevel angle setting to 33.9° LEFT.
- Adjust and secure miter angle setting to 31.6° RIGHT.
- Lay crown molding with its broad back (hidden) surface down on the turn base with its CEILING CONTACT EDGE against the guide fence on the saw.
- The finished piece to be used will always be on the LEFT side of the blade after the cut has been made.

In the case of right bevel cut

Table (A)

	Molding position in Fig. 47 & 48	Bevel angle		Miter angle	
		52/38° type	45° type	52/38° type	45° type
For inside corner	(1)	Right 33.9°	Right 30°	Right 31.6°	Right 35.3°
	(2)			Left 31.6°	Left 35.3°
For outside corner	(3)			Right 31.6°	Right 35.3°
	(4)				

Table (B)

	Molding position in Fig. 47 & 48	Molding edge against guide fence	Finished piece
For inside corner	(1)	Wall contact edge should be against guide fence.	Finished piece will be on the Right side of blade.
	(2)	Ceiling contact edge should be against guide fence.	
For outside corner	(3)	Wall contact edge should be against guide fence.	Finished piece will be on the Left side of blade.
	(4)		

Example:

In the case of cutting 52/38° type crown molding for position (1) in **Fig. 47 & 48**:

- Tilt and secure bevel angle setting to 33.9° RIGHT.
- Adjust and secure miter angle setting to 31.6° RIGHT.
- Lay crown molding with its broad back (hidden) surface down on the turn base with its WALL CONTACT EDGE against the guide fence on the saw.
- The finished piece to be used will always be on the RIGHT side of the blade after the cut has been made.

Crown molding stoppers (optional accessories) allow easier cuts of crown molding without tilting the saw blade. Install them on the base as shown in the figures. (**Fig. 49 & 50**)

Fig. 49: At right 45° miter angle

Fig. 50: At left 45° miter angle

Position crown molding with its WALL CONTACT EDGE against the guide fence and its CEILING CONTACT EDGE against the crown molding stoppers as shown in the figure (**Fig. 51**). Adjust the crown molding stoppers according to the size of the crown molding. Tighten the screws to secure the crown molding stoppers. Refer to the table (C) for the miter angle.

Table (C)

	Molding position in Fig. 47 & 48	Miter angle	Finished piece
For inside corner	(1)	Right 45°	Save the right side of blade
	(2)	Left 45°	Save the left side of blade
For outside corner	(3)		Save the right side of blade
	(4)	Right 45°	Save the left side of blade

7. Cutting aluminum extrusion

When securing aluminum extrusions, use spacer blocks or pieces of scrap as shown in **Fig. 52** to prevent deformation of the aluminum. Use a cutting lubricant when cutting the aluminum extrusion to prevent build-up of the aluminum material on the blade.

WARNING:

- **Never attempt to cut thick or round aluminum extrusions.** Thick or round aluminum extrusions can be difficult to secure and may work loose during the cutting operation which may result in loss of control and serious personal injury.

8. Groove cutting (Fig. 53)

A dado type cut can be made by proceeding as follows: Adjust the lower limit position of the blade using the adjusting screw and the stopper arm to limit the cutting depth of the blade. Refer to "Stopper arm" section described previously.

After adjusting the lower limit position of the blade, cut parallel grooves across the width of the workpiece using a slide (push) cut as shown in the figure. Then remove the workpiece material between the grooves with a chisel.

WARNING:

- **Do not attempt to perform this type of cut by using a wider type blade or dado blade.** Attempting to make a groove cut with a wider blade or dado blade could lead to unexpected cutting results and kickback which may result in serious personal injury.
- **Be sure to return the stopper arm to the original position when performing other than groove cutting.** Attempting to make cuts with the stopper arm in the incorrect position could lead to unexpected cutting results and kickback which may result in serious personal injury.

Carrying tool

Make sure that the tool is unplugged. Secure the blade at 0° bevel angle and the turn base at the full right miter angle position. Secure the slide poles so that the lower slide pole is locked in the position of the carriage fully pulled to operator and the upper poles are locked in the position of the carriage fully pushed forward to the guide fence (refer to the section titled "Slide lock adjustment".) Lower the handle fully and lock it in the lowered position by pushing in the stopper pin. (**Fig. 54**)

Carry the tool by holding both sides of the tool base as shown in the figure. If you remove the holders, dust bag, etc., you can carry the tool more easily. (**Fig. 55**)

WARNING:

- **Stopper pin is only for carrying and storage purposes and should never be used for any cutting operations.** The use of the stopper pin for cutting operations may cause unexpected movement of the saw blade resulting in kickback and serious personal injury.

CAUTION:

- Always secure all moving portions before carrying the tool. If portions of the tool move or slide while being carried loss of control or balance may occur resulting in personal injury.

MAINTENANCE

WARNING:

- **Always be sure that the tool is switched off and unplugged before attempting to perform inspection or maintenance.** Failure to unplug and switch off the tool may result in accidental start up of the tool which may result in serious personal injury.
- **Always be sure that the blade is sharp and clean for the best and safest performance.** Attempting a cut with a dull and/or dirty blade may cause kickback and result in a serious personal injury.

NOTICE:

- Never use gasoline, benzene, thinner, alcohol or the like. Discoloration, deformation or cracks may result.

Adjusting the cutting angle

This tool is carefully adjusted and aligned at the factory, but rough handling may have affected the alignment. If your tool is not aligned properly, perform the following:

1. Miter angle

Push the carriage toward the guide fence and tighten the locking screw clockwise and pull the lock lever towards the front of the saw to secure the carriage.

Turn the grip counterclockwise which secures the turn base. Turn the turn base so that the pointer points to 0° on the miter scale. Then turn the turn base slightly clockwise and counterclockwise to seat the turn base in the 0° miter notch. (Leave as it is if the pointer does not point to 0°.) Loosen the hex socket bolts securing the guide fence using the socket wrench.

Lower the handle fully and lock it in the lowered position by pushing in the stopper pin. Square the side of the blade with the face of the guide fence using a triangular rule, try-square, etc. Then securely tighten the hex socket bolts on the guide fence in order starting from the right side. (**Fig. 56**)

Make sure that the pointer points to 0° on the miter scale. If the pointer does not point to 0°, loosen the screw which secures the pointer and adjust the pointer so that it will point to 0°. (**Fig. 57**)

2. Bevel angle

Push the latch lever forward fully to release the positive stops.

1) 0° bevel angle

Push the carriage toward the guide fence and tighten the locking screw clockwise and pull the lock lever towards the front of the saw to secure the carriage. Lower the handle fully and lock it in the lowered position by pushing in the stopper pin. Loosen the lever at the rear of the tool. **(Fig. 58)**

Turn the hex socket bolt on the right side of the arm holder two or three revolutions counterclockwise to tilt the blade to the right. **(Fig. 59)**

Carefully square the side of the blade with the top surface of the turn base using the triangular rule, try-square, etc. by turning the hex socket bolt on the right side of the arm holder clockwise. Then tighten the lever securely. **(Fig. 60)**

Make sure that the pointers on the arm holder point to each 0° on the bevel scale on the arm. If they do not point to 0°, loosen the screws which secure the pointers and adjust them so that they will point to 0°. **(Fig. 61)**

2) 45° bevel angle **(Fig. 62)**

Adjust the 45° bevel angle only after performing 0° bevel angle adjustment. To adjust left 45° bevel angle, loosen the lever and tilt the blade to the left fully. Make sure that the pointer on the arm holder points to 45° on the bevel scale on the arm. If the pointer does not point to 45°, turn the left 45° bevel angle adjusting bolt on the side of the arm until the pointer points to 45°.

To adjust right 45° bevel angle, perform the same procedure described above.

Adjustment of the laser line position **(Fig. 63 & 64)**

For models LS1016L and LS1016FL only

WARNING:

- Since the tool must be plugged in while adjusting the laser line, special care must be taken to not switch on the tool. Accidental start up of the tool may result in serious personal injury.

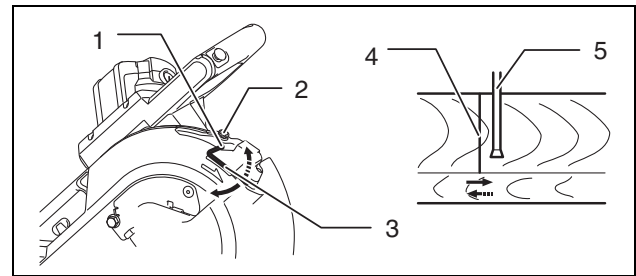
CAUTION:

- Never look directly into the laser beam. Direct eye exposure to the beam could cause serious damage to the eyes.
- LASER RADIATION
Do not stare into beam.

NOTICE:

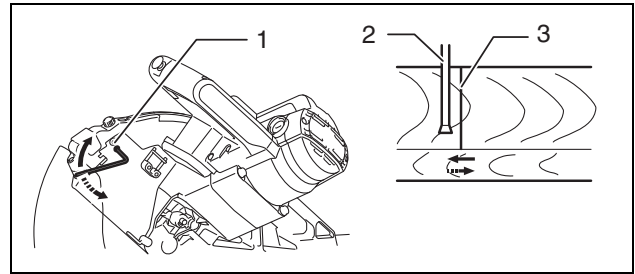
- Beware that impacts to the tool may cause the laser line to be misaligned or may cause damage to the laser, shortening its life.

Adjusting the laser line for the left side of the blade.



- 1 Screw to change the movable range of the adjusting screw
- 2 Adjusting screw
- 3 Hex wrench
- 4 Laser line
- 5 Saw blade

Adjusting the laser line for the right side of the blade.



- 1 Adjusting screw
- 2 Saw blade
- 3 Laser line

For both adjustments, do as follows.

1. Make sure that the tool is unplugged.
2. Draw the cutting line on the workpiece and place it on the turn table. At this time, do not secure the workpiece with a vise or similar securing device.
3. Lower the blade by lowering the handle and just check to see where the cutting line and the position of the saw blade is. (Decide which position to cut on the line of cut.)
4. After deciding the correct position of the line in relation to the blade, return the handle to the original position. Secure the workpiece with the vertical vise without shifting the workpiece from the pre-checked position.
5. Plug the tool and turn on the laser switch.
6. Adjust the position of laser line as follows.

The position of laser line can be changed as the movable range of the adjusting screw for the laser is changed by turning two screws with a hex wrench. (The movable range of laser line is factory adjusted within 1 mm from the side surface of blade.)

To shift the laser line movable range further away from the side surface of blade, turn the two screws counter-clockwise after loosening the adjusting screw. Turn these two screws clockwise to shift it closer to the side surface of the blade after loosening the adjusting screw. Refer to the section titled "Laser beam action" and adjust the adjusting screw so that the cutting line on your workpiece is aligned with the laser line.

NOTE:

- Check the position of laser line regularly for accuracy.
- Have the tool repaired by a Makita authorized service center for any failure on the laser unit.

Cleaning the laser light lens (Fig. 65 & 66)

For models LS1016L and LS1016FL only

If the lens for the laser light becomes dirty, or sawdust adheres to it in such a way that the laser line is no longer easily visible, unplug the saw and remove and clean the lens for the laser light carefully with a damp, soft cloth. Do not use solvents or any petroleum-based cleaners on the lens.

To remove the lens for the laser light, remove the saw blade before removing the lens according to the instructions in the section titled "Installing or removing saw blade".

Loosen but do not remove the screw which secures the lens using a screwdriver.

Pull out the lens as shown in the figure.

NOTE:

- If the lens does not come out, loosen the screw further and pull out the lens again without removing the screw.

Replacing carbon brushes (Fig. 67 & 68)

Remove and check the carbon brushes regularly. Replace when they wear down to the limit mark. Keep the carbon brushes clean and free to slip in the holders. Both carbon brushes should be replaced at the same time. Use only identical carbon brushes.

Use a screwdriver to remove the brush holder caps. Take out the worn carbon brushes, insert the new ones and secure the brush holder caps.

After replacing brushes, plug in the tool and break in brushes by running tool with no load for about 10 minutes. Then check the tool while running and electric brake operation when releasing the switch trigger. If the electric brake is not working correctly, have the tool repaired by a Makita service center.

After use

- After use, wipe off chips and dust adhering to the tool with a cloth or the like. Keep the blade guard clean according to the directions in the previously covered section titled "Blade guard". Lubricate the sliding portions with machine oil to prevent rust.
- When storing the tool, pull the carriage toward you fully so that the slide pole is thoroughly inserted into the turn base.

To maintain product SAFETY and RELIABILITY, repairs, any other maintenance or adjustment should be performed by Makita Authorized Service Centers, always using Makita replacement parts.

ACCESSORIES

WARNING:

- **These accessories or attachments are recommended for use with your Makita tool specified in this manual.** The use of any other accessories or attachments may result in serious personal injury.
- **Only use the Makita accessory or attachment for its stated purpose.** Misuse of an accessory or attachment may result in serious personal injury.

If you need any assistance for more details regarding these accessories, ask your local Makita Service Center.

- Steel & Carbide-tipped saw blades

Miter saw blades	For smooth and precise cutting in various materials.
Combination	General purpose blade for fast and smooth rip, crosscuts and miters.
Crosscutting	For smoother cross grain cuts. Slices cleanly against the grain.
Fine cross cuts	For sand-free cuts cleanly against the grain.
Non-ferrous metals miter saw blades	For miters in aluminum, copper, brass, tubing, and other non-ferrous metals.

- Vise assembly (Horizontal vise)
- Vertical vise
- Socket wrench 13
- Holder
- Dust bag
- Crown molding stopper set
- Triangular rule
- Dust box
- Hex wrench (For LS1016L and LS1016FL)

Descriptif

1 Broche d'arrêt	35 Blocage de l'arbre	67 Butée de moulure couronnée de droite (Accessoire en option)
2 Boulon(s) hexagonal(aux)	36 Carter de lame	68 Butée de moulure couronnée de gauche
3 Protecteur de lame	37 Flèche	69 Butée de moulure couronnée de droite
4 Plateau de découpe	38 Flasque extérieur	70 Moulure couronnée
5 Lame de scie	39 Flasque intérieur	71 Étau
6 Dents de lame	40 Axe	72 Cale d'écartement
7 Coupe en biseau à gauche	41 Bague	73 Profilé d'aluminium
8 Coupe droite	42 Raccord à poussières	74 Coupe de rainures avec la lame
9 Coupe en biseau à droite	43 Sac à poussière	75 Règle triangulaire
10 Levier de verrouillage	44 Fermeture	76 Secteur
11 Vis	45 Boîte à poussières	77 Plaque graduée de coupe en biseau
12 Boulon de réglage	46 Couvercle	78 Boulon de réglage d'angle 0°
13 Plateau tournant	47 Bouton	79 Secteur angulaire
14 Levier de butée	48 Section cylindrique	80 Boulon de réglage de l'angle de biseau de 45° à gauche
15 Tuyau de glissement	49 Sciure de bois	81 Boulon de réglage de l'angle de biseau de 45° à droite
16 Face supérieure du plateau tournant	50 Cale	82 Pièce à travailler
17 Périphérie de la lame	51 Plateau tournant	83 Ligne laser
18 Guide	52 Vis de serrage	84 Étau vertical
19 Vis de réglage	53 Guide supérieur	85 Tournevis
20 Bras de blocage	54 Guide inférieur	86 Vis (une pièce seulement)
21 Poignée	55 Poignée de l'étau	87 Lentille du laser
22 Came	56 Bras de l'étau	88 Repère d'usure
23 Levier(s)	57 Tige de l'étau	89 Bouchon de porte-charbon
24 Levier de fermeture	58 Plaque d'étau	90 Vis de verrouillage
25 Secteur angulaire	59 Ecrou de l'étau	91 Interrupteur de lampe
26 Bouton de libération	60 Servante	92 Lampe
27 Index	61 Moulure couronnée du type 52/38°	93 Zone d'indication rouge
28 Bouton de déverrouillage	62 Moulure couronnée du type 45°	
29 Gâchette	63 Moulure concave du type 45°	
30 Orifice pour cadenas	64 Coin intérieur	
31 Interrupteur du laser	65 Coin extérieur	
32 Clé à douille	66 Butée de moulure couronnée de gauche (Accessoire en option)	
33 Support à clé		
34 Capot central		

SPECIFICATIONS

Modèle

LS1016/LS1016L/LS1016F/LS1016FL

Diamètre de la lame

Pour tous les pays à l'exception de l'Europe 255 mm et 260 mm

Pour l'Europe 260 mm

Diamètre de l'orifice


Pour tous les pays à l'exception de l'Europe 25,4 mm

Pour l'Europe 30 mm

Capacités de coupe maximales (H x P) avec une lame d'un diamètre de 260 mm

Angle d'onglet	Angle de biseau		
	45° (gauche)	0°	45° (droite)
0°	42 mm x 310 mm	68 mm x 310 mm	29 mm x 310 mm
	58 mm x 279 mm	91 mm x 279 mm	43 mm x 279 mm
45° (droite et gauche)	42 mm x 218 mm	68 mm x 218 mm	29 mm x 218 mm
	58 mm x 197 mm	91 mm x 197 mm	43 mm x 197 mm
52° (droite et gauche)	–	68 mm x 190 mm	–
	–	91 mm x 171 mm	–
60° (droite)	–	68 mm x 155 mm	–
	–	91 mm x 139 mm	–

Moulure couronnée du type 45° (avec butée de moulure couronnée utilisée)	168 mm
Plinthe (H) (avec étau horizontal utilisé)	120 mm

Vitesse à vide (min ⁻¹).....	3 200
Type de laser (LS1016L, LS1016FL).....	Laser rouge 650 nm, <1,6mW (Laser de classe 2M)
Dimensions (L x l x H)	718 mm x 640 mm x 671 mm
Poids net	
Pour tous les pays à l'exception de l'Europe	
LS1016	23,6 kg
LS1016L/LS1016F.....	23,7 kg
LS1016FL.....	23,8 kg
Pour l'Europe	
LS1016	24,1 kg
LS1016L/LS1016F.....	24,2 kg
LS1016FL.....	24,3 kg
Niveau de sécurité.....	 /II

- Etant donné l'évolution constante de notre programme de recherche et de développement, les spécifications contenues dans ce manuel sont sujettes à modification sans préavis.
- Les spécifications peuvent varier suivant les pays.
- Poids selon la procédure EPTA 01/2003

Utilisations


L'outil est conçu pour effectuer des coupes de bois rectilignes et des coupes d'onglet, avec précision. Avec des lames appropriées, il permet également de couper l'aluminium.

Alimentation

L'outil ne devra être raccordé qu'à une alimentation de la même tension que celle qui figure sur la plaque signalétique, et il ne pourra fonctionner que sur un courant secteur monophasé. Réalisé avec une double isolation, il est conforme à la réglementation européenne et peut de ce fait être alimenté sans mise à la terre.

GEA010-1

Consignes de sécurité générales pour outils électriques

 **MISE EN GARDE** Veuillez lire toutes les mises en garde et toutes les instructions. Il y a risque de choc électrique, d'incendie et/ou de blessure grave si les mises en garde et les instructions ne sont pas respectées.

Conservez toutes les mises en garde et instructions pour référence ultérieure.

ENB034-6

PRECAUTIONS SUPPLEMENTAIRES POUR L'OUTIL

1. Portez une protection oculaire.
2. Gardez bien les mains à l'écart de la lame. Évitez tout contact avec une lame "en roue libre". Vous pourriez vous blesser gravement.
3. N'utilisez jamais la scie sans les protections en place.
Vérifiez le bon fonctionnement du protecteur de lame avant chaque utilisation. N'utilisez pas la scie si le protecteur de lame ne se déplace pas librement et ne recouvre pas la lame instantanément. N'immobilisez jamais le protecteur de lame en position ouverte.

4. **Ne sciez jamais à la volée.** Le matériau doit être assuré fermement contre le plateau tournant et le guide au moyen de l'étau durant tous les types de sciage. Ne maintenez jamais la pièce avec la main.
5. **Gardez bien les mains à l'écart de la lame.**
6. **Coupez le contact et attendez l'arrêt de la lame avant de déplacer la pièce ou de modifier les réglages.**
7. **Débranchez l'outil avant de procéder à un changement de lame ou à une réparation.**
8. **Avant de transporter l'outil, immobilisez d'abord toutes ses pièces mobiles.**
9. **La broche d'arrêt qui verrouille en position basse la tête de fraisage sert à des fins de transport et de rangement uniquement et pas pour les opérations de coupe.**
10. **Ne vous servez pas de votre outil en présence de gaz ou de liquides inflammables.** L'utilisation de cet outil électrique comporte un risque d'explosion et d'incendie en présence de liquides ou gaz inflammables.
11. **Avant de scier, vérifiez attentivement que la lame n'est ni endommagée, ni fendue. Si tel est le cas, changez-la immédiatement.**
12. **N'utilisez que les flasques spécifiés pour cet outil.**
13. **Prenez garde d'endommager l'alésage, les flasques (tout particulièrement leur surface d'installation) ou le boulon. L'endommagement de ces pièces peut causer une cassure de la lame.**
14. **Assurez-vous que le plateau tournant est bien immobilisé, afin qu'il ne risque pas de se déplacer pendant le sciage.**
15. **Pour votre sécurité, retirez copeaux ou autres fragments de la surface du plateau avant la mise en route.**
16. **Évitez les clous. Avant de travailler votre pièce, inspectez-la et retirez-en tous les clous.**
17. **Assurez-vous que le blocage de l'arbre est relâché avant de mettre le contact.**
18. **Assurez-vous que la lame ne touche pas le plateau tournant quand elle est abaissée au maximum.**
19. **Tenez la poignée fermement. N'oubliez pas que la scie se déplace légèrement de haut en bas au démarrage et à l'arrêt.**

20. Assurez-vous que la lame ne touche pas la pièce à scier avant de mettre le contact.
21. Avant de scier la pièce, faites tourner l'outil un instant à vide. Vérifiez que la lame ne présente ni balourd ni shimmy qui pourraient résulter d'un montage incorrect ou d'une usure irrégulière.
22. Avant de scier, attendez que la lame ait atteint sa pleine vitesse.
23. Arrêtez immédiatement le sciage si vous remarquez quoi que ce soit d'anormal.
24. Ne tentez pas de maintenir la gâchette en position ON.
25. Restez vigilant, surtout durant les sciages répétés et monotones. Ne vous laissez jamais prendre par un sentiment trompeur de sécurité. Les lames de scie ne pardonnent pas.
26. N'utilisez que les accessoires recommandés dans ce manuel. L'utilisation d'accessoires différents, disques à tronçonner notamment, peut entraîner une blessure.
27. N'utilisez pas la scie pour couper autre chose que de l'aluminium, du bois ou des matériaux similaires.
28. Raccordez les scies à coupe d'onglet à un dispositif de ramassage de la poussière quand vous effectuez un sciage.
29. Sélectionnez les lames en fonction du matériau à couper.
30. Faites attention lorsque vous taillez des encoches.
31. Remplacez le plateau de découpe quand il est usé.
32. Ne pas utiliser de lames fabriquées en acier à coupe rapide.
33. Les poussières dégagées lors de l'utilisation de l'outil peuvent contenir certains produits chimiques reconnus comme pouvant causer le cancer, des anomalies congénitales ou autres problèmes de reproduction. Parmi ces produits chimiques figurent notamment :
 - le plomb que contient les matériaux recouverts de peinture à base de plomb ;
 - l'arsenic et le chrome que contient le bois de construction traité chimiquement.
 Les risques encourus varient suivant la fréquence d'exposition qu'implique votre travail. Pour réduire votre degré d'exposition à ces produits chimiques : travaillez dans une aire de travail bien aérée et en utilisant des dispositifs de sécurité approuvés, tels que des masques à poussière spécialement conçus pour filtrer les particules microscopiques.
34. Pour réduire le bruit émis par la lame, assurez-vous toujours qu'elle est bien affûtée et propre.
35. L'utilisateur doit avoir reçu une formation adéquate concernant l'utilisation, le réglage et le fonctionnement de l'outil.
36. Utilisez des lames bien affûtées. Respectez la vitesse maximale indiquée sur la lame.
37. Évitez de retirer de la zone de coupe les coupures et autres bouts détachés de la pièce à couper pendant que l'outil tourne encore et que la tête de la lame n'est pas en position de repos.
38. Utilisez exclusivement les lames recommandées par le fabricant et conformes à la norme EN847-1.

39. Portez des gants pour manipuler la lame (les lames doivent être transportées dans un étui lorsque possible) et les pièces de matériau rude.
40. Lors de l'utilisation avec un laser, ne remplacez pas un type de laser différent. Toute réparation doit être effectuée de manière adéquate.

CONSERVEZ CES INSTRUCTIONS

INSTALLATION

Montage du banc

À sa sortie d'usine, la poignée de cet outil est verrouillée en position abaissée par la broche d'arrêt. Libérez la broche d'arrêt en appliquant une légère pression vers le bas sur la poignée tout en tirant sur la broche d'arrêt. (Fig. 1)

AVERTISSEMENT :

- **Assurez-vous que l'outil ne bougera pas sur la surface de soutien.** Si la scie à onglet bouge sur la surface de soutien pendant la coupe, il y a risque de perte de contrôle et de blessure grave.

Boulonnez l'outil à l'aide de quatre boulons sur une surface stable et de niveau en utilisant les orifices de boulon prévus sur le socle de l'outil. Ceci pour empêcher tout risque de renversement et de blessure. (Fig. 2)

DESCRIPTION DU FONCTIONNEMENT

AVERTISSEMENT :

- **Vérifiez que l'outil est hors tension et débranché avant de l'ajuster ou de vérifier son fonctionnement.** Il y a risque de démarrage accidentel et de blessure grave si vous ne coupez pas le contact et ne débranchez pas l'outil.

Protecteur de lame (Fig. 3 et 4)

Le protecteur de lame s'élève automatiquement lorsque vous abaissez la poignée. Le protecteur revient à sa position d'origine une fois la coupe terminée et la poignée relevé.

AVERTISSEMENT :

- **Ne jamais modifier ou retirer le protecteur de lame ou son ressort.** Une lame exposée suite à la modification du protecteur peut entraîner une blessure grave lors de l'utilisation.

Pour votre propre sécurité, maintenez toujours le protecteur de lame en bonne condition. Tout fonctionnement irrégulier du protecteur de lame doit être corrigé immédiatement. Vérifiez que le mécanisme de rappel du protecteur fonctionne correctement.

AVERTISSEMENT :

- **Ne jamais utiliser l'outil si le protecteur de lame ou le ressort est endommagé, défectueux ou retiré.** L'utilisation de l'outil avec un protecteur endommagé, défectueux ou retiré peut entraîner une blessure grave.

Si le protecteur de lame transparent devient sale ou si la sciure de bois y adhère au point que la lame et/ou la pièce ne soit plus bien visible, débranchez la scie et nettoyez soigneusement le protecteur avec un chiffon humide. N'utilisez aucun solvant ou nettoyant à base de pétrole sur le protecteur de plastique, car cela risquerait de l'abîmer.

Si le protecteur de lame est sale et doit être nettoyé pour assurer un fonctionnement adéquat, suivez les étapes ci-dessous :

Avec l'outil hors tension et débranché, utilisez la clé à douille fournie pour desserrer le boulon hexagonal qui retient le capot central. Desserrez le boulon hexagonal en le faisant tourner vers la gauche, puis soulevez le protecteur de lame et le capot central.

Le nettoyage du protecteur de lame peut être effectué de manière plus complète et efficace lorsqu'il se trouve dans cette position. Une fois le nettoyage terminé, effectuez la procédure ci-dessus en sens inverse et fixez le boulon. Ne retirez pas le ressort du protecteur de lame. Si le protecteur se détériore avec le temps ou sous l'effet des rayons ultraviolets, contactez un Centre d'Entretien Makita pour vous procurer un nouveau protecteur.

NE PAS MODIFIER OU RETIRER LE PROTECTEUR.

Positionnement du plateau de découpe (Fig. 5, 6 et 7)

Le socle rotatif de cet outil est équipé de plateaux de découpe pour minimiser la déchirure du côté de sortie de la coupe. Les plateaux de découpe sont réglés en usine de sorte qu'ils n'entrent pas en contact avec la lame. Avant l'utilisation, ajustez les plateaux de découpe comme suit :

Débranchez d'abord l'outil. Desserrez toutes les vis qui retiennent les plateaux de découpe (2 à droite et 2 à gauche). Ne les resserrez que partiellement, de sorte qu'il soit facile de déplacer manuellement les plateaux de découpe. Abaissez complètement la poignée et enfoncez la broche d'arrêt pour verrouiller la poignée en position abaissée. En tournant dans le sens contraire des aiguilles d'une montre, desserrez la vis de verrouillage qui retient les tiges de glissement supérieures, et poussez vers l'avant le levier de verrouillage qui retient les tiges de glissement inférieures. Tirez complètement le chariot vers vous. Ajustez les plateaux de découpe de sorte qu'ils touchent très légèrement les côtés des dents de la lame. Serrez légèrement les vis à l'avant. Poussez complètement le chariot vers le guide et ajustez les plateaux de découpe de sorte qu'ils touchent très légèrement les côtés des dents de la lame. Serrez légèrement les vis à l'arrière.

Après avoir ajusté les plateaux de découpe, dégagez la broche d'arrêt et levez la poignée. Serrez ensuite toutes les vis fermement.

REMARQUE :

- **Après avoir réglé l'angle de coupe en biseau, assurez-vous que les plateaux de découpe sont bien ajustés.** Des plateaux de découpe bien ajustés contribuent au soutien adéquat de la pièce et réduisent l'effet d'arrachement sur la pièce.

Maintien de la capacité de coupe maximale (Fig. 8, 9 et 10)

Cet outil est réglé en usine pour offrir une capacité de coupe maximale avec une lame de 260 mm.

Débranchez l'outil avant de tenter tout réglage.

Lorsque vous installez une nouvelle lame, vérifiez toujours la position limite inférieure de la lame, et réglez-la comme suit si nécessaire :

Débranchez d'abord l'outil. Abaissez le levier de butée pour placer la lame tel qu'indiqué sur l'illustration. Repoussez le chariot à fond vers la butée et abaissez complètement la poignée. Utilisez la clé à douille pour tourner le boulon de réglage jusqu'à ce que la périphérie de la lame se trouve légèrement sous la face supérieure du plateau tournant, au point de rencontre entre la face avant du guide et la face supérieure du plateau tournant. Débranchez l'outil et faites tourner la lame manuellement en maintenant la poignée en position complètement abaissée, afin d'être certain que la lame n'entre en contact avec aucune partie du plateau inférieur. Réajustez légèrement au besoin.

Après le réglage, pensez à remettre le levier de butée en position initiale en le tournant dans le sens contraire des aiguilles d'une montre.

AVERTISSEMENT :

- **Après avoir installé une nouvelle lame sur l'outil débranché, assurez-vous toujours que la lame ne touche aucune partie du plateau inférieur lorsque la poignée est complètement abaissée.** Si la lame entre en contact avec le plateau, elle risquera de causer un choc en retour et d'entraîner une blessure grave.

Bras de blocage (Fig. 11)

Le bras de blocage permet un réglage facile de la position limite inférieure de la lame. Pour l'ajuster, tournez le bras de blocage dans le sens de la flèche, tel qu'indiqué sur la figure. Ajustez la vis de réglage de sorte que la lame s'arrête à la position désirée lorsque la poignée est complètement abaissée.

Réglage de l'angle de coupe d'onglet (Fig. 12)

Poussez la poignée pour engager les cames, et tournez-la dans le sens des aiguilles d'une montre jusqu'à ce qu'elle s'arrête. Tournez le plateau tournant tout en appuyant vers le bas sur le levier de verrouillage. Après avoir déplacé la poignée de sorte que l'index pointe sur l'angle désiré sur le secteur, tournez la poignée de 90° dans le sens contraire des aiguilles d'une montre pour verrouiller le plateau tournant.

ATTENTION :

- Après avoir modifié l'angle de coupe d'onglet, fixez toujours le plateau tournant en tournant la poignée de 90° dans le sens contraire des aiguilles d'une montre.

REMARQUE :

- Lorsque vous tournez le plateau tournant, veillez à bien relever la poignée à fond.

Réglage de l'angle de coupe en biseau (Fig. 13, 14 et 15)

Pour ajuster l'angle de coupe en biseau, desserrez le levier à l'arrière de l'outil en le tournant vers la gauche. Poussez le levier de fermeture complètement vers l'avant, tel qu'illustré, tout en soutenant le poids de la tête de la lame de façon à libérer la pression sur la broche de verrouillage.

Pour incliner le chariot vers la droite, inclinez-le d'abord légèrement vers la gauche après avoir desserré le levier et appuyez sur le bouton de libération. Tout en continuant d'appuyer sur le bouton de libération, inclinez le chariot vers la droite.

Inclinez la lame jusqu'à ce que l'index indique l'angle désiré sur l'échelle. Resserrez ensuite le levier à fond en le tournant vers la droite pour fixer le bras.

En tirant le levier de fermeture vers l'avant de la scie, vous pouvez verrouiller la lame à l'aide des butées fixes, sur un angle de 22,5 ° ou 33,9 ° par rapport à la surface du socle, à gauche comme à droite.

En poussant le levier de fermeture vers l'arrière de la scie tel qu'illustré, vous pouvez verrouiller la lame sur l'angle désirée à l'intérieur de la plage d'angle de biseau spécifiée.

ATTENTION :

- Après avoir modifié l'angle de coupe en biseau, fixez toujours le bras en tournant le levier vers la droite pour le serrer.

REMARQUE :

- Quand vous inclinez la lame, assurez-vous que la poignée est complètement relevée.
- Lorsque vous modifiez l'angle de coupe en biseau, assurez-vous toujours de bien placer les plateaux de découpe, tel que décrit dans la section "Positionnement du plateau de découpe".

Réglage du verrou de glissement (Fig. 16)

Pour verrouiller la tige de glissement inférieure, tirez le levier de verrouillage vers l'avant de la scie.

Pour verrouiller la tige de glissement supérieure, tournez la vis de verrouillage dans le sens des aiguilles d'une montre.

Interrupteur

Pour l'Europe (Fig. 17)

Pour éviter tout déclenchement accidentel de la gâchette, l'outil est muni d'un bouton de déverrouillage.

Pour démarrer l'outil, déplacez le levier sur la gauche, appuyez sur le bouton de déverrouillage et tirez sur la gâchette. Pour arrêter l'outil, relâchez la gâchette.

AVERTISSEMENT :

- **Avant de brancher l'outil, assurez-vous toujours que la gâchette fonctionne correctement et qu'elle revient en position "OFF" une fois relâchée. Évitez de tirer sur la gâchette avec force lorsque le bouton de sécurité n'est pas enfoncé. Vous risqueriez de briser la gâchette.** L'utilisation d'un outil dont la gâchette est défectueuse comporte un risque de perte de contrôle et de blessure grave.

Un orifice a été prévu sur la gâchette, ce qui permet de verrouiller l'outil avec un cadenas.

Pour tous les pays à l'exception de l'Europe (Fig. 18)

Pour éviter tout déclenchement accidentel de la gâchette, l'outil est muni d'un bouton de déverrouillage.

Pour faire démarrer l'outil, appuyez sur le bouton de déverrouillage puis tirez sur la gâchette.

AVERTISSEMENT :

- **Avant de brancher l'outil, assurez-vous toujours que la gâchette fonctionne correctement et qu'elle revient en position "OFF" une fois relâchée. Évitez de tirer sur la gâchette avec force lorsque le bouton de sécurité n'est pas enfoncé. Vous risqueriez de briser la gâchette.** L'utilisation d'un outil dont la gâchette est défectueuse comporte un risque de perte de contrôle et de blessure grave.

Un orifice a été prévu sur la gâchette, ce qui permet de verrouiller l'outil avec un cadenas.

AVERTISSEMENT :

- **N'utilisez pas un cadenas dont la tige ou le câble a un diamètre inférieur à 6,35 mm.** Une tige ou un câble plus mince risquerait de ne pas verrouiller correctement l'outil en position d'arrêt, ce qui comporte un risque d'activation accidentelle pouvant entraîner une blessure grave.
- **NE JAMAIS utiliser un outil dont le fonctionnement de la gâchette est défectueux.** Tout outil dont la gâchette est défectueuse est EXTRÊMEMENT DANGEREUX et doit être réparé avant toute nouvelle utilisation, autrement il y a risque de blessure grave.
- Pour assurer votre sécurité, cet outil est équipé d'un bouton de déverrouillage qui empêche de faire démarrer l'outil par inadvertance. NE JAMAIS utiliser l'outil s'il se met en marche lorsque vous tirez simplement sur la gâchette sans avoir appuyé sur le bouton de déverrouillage. Une gâchette non réparée comporte un risque d'activation accidentelle pouvant entraîner une blessure grave. Retournez alors l'outil à un Centre d'Entretien Makita pour le faire réparer AVANT de poursuivre l'utilisation.
- NE JAMAIS bloquer le bouton de déverrouillage avec du ruban ou de toute autre manière. Une gâchette dont le bouton de déverrouillage est bloqué comporte un risque d'activation accidentelle pouvant entraîner une blessure grave.

Allumage de la lampe (Fig. 19)

Pour les modèles LS1016F et LS1016FL uniquement

ATTENTION :

- Cette lampe n'est pas étanche à la pluie. Ne nettoyez pas la lampe avec de l'eau et évitez de l'utiliser sous la pluie ou dans un endroit humide. Cela risquerait de causer un choc électrique entraînant des émanations de fumée.
- Ne touchez pas la lentille de la lampe alors que cette dernière est allumée ou vient tout juste d'être éteinte et est encore très chaude. Il y a risque de brûlure.
- Évitez de heurter la lampe, afin de ne pas l'endommager ou raccourcir sa durée de service.
- Évitez de diriger directement le faisceau de lumière vers vos yeux. Il y a risque de blessure oculaire.
- Ne recouvrez pas la lampe avec un chiffon, du carton, une boîte ou tout autre objet similaire pendant qu'elle est allumée, pour éviter tout risque d'incendie ou de feu.

Pour allumer la lampe, appuyez sur la position supérieure (I) de l'interrupteur. Pour éteindre la lampe, appuyez sur la position inférieure (O) de l'interrupteur. Déplacez la lampe pour éclairer une autre zone.

NOTE :

- Utilisez un chiffon sec pour essuyer les saletés qui recouvrent la lentille de la lampe. Prenez garde de rayer la lentille de la lampe, sinon sa capacité d'éclairage sera affectée.

Fonction électronique

Commande de vitesse constante

- L'outil est doté d'une fonction de commande électronique de la vitesse qui aide à maintenir une vitesse de rotation constante de la lame même sous une lourde charge. Une vitesse de rotation constante de la lame permet d'effectuer la coupe de manière très fluide.

Fonction de démarrage en douceur

- Cette fonction permet un démarrage en douceur de l'outil, en limitant le couple de démarrage.

Utilisation du faisceau laser

Pour les modèles LS1016L et LS1016FL uniquement

ATTENTION :

- Ne jamais regarder directement la source du faisceau laser. L'exposition directe au faisceau laser comporte un risque de blessure aux yeux.
- RAYONNEMENT LASER. NE PAS FIXER LE RAYON OU REGARDER DIRECTEMENT AVEC DES INSTRUMENTS OPTIQUES. PRODUIT LASER DE CATÉGORIE 2M.

Pour allumer le faisceau laser, appuyez sur la position supérieure (I) de l'interrupteur. Pour éteindre le faisceau laser, appuyez sur la position inférieure (O) de l'interrupteur. (Fig. 20)

En ajustant la vis de réglage comme suit, vous pouvez déplacer la ligne laser du côté gauche ou droite de la lame. (Fig. 21)

1. Desserrez la vis de réglage en la tournant vers la gauche.
2. Une fois la vis de réglage desserrée, glissez-la complètement vers la droite ou la gauche.
3. Serrez fermement la vis de réglage sur la position où elle cesse de glisser.

La ligne laser est ajustée en usine pour se trouver à moins de 1 mm de la surface latérale de la lame (position de coupe).

NOTE :

- Lorsque la ligne laser est mince et peu visible à cause de la lumière directe du soleil, déplacez la zone de travail dans un emplacement moins exposé au soleil.

Alignement de la ligne laser (Fig. 22)

Suivant le type de coupe à effectuer, vous pouvez déplacer la ligne laser d'un côté ou de l'autre de la lame. Reportez-vous à la section intitulée "Utilisation du faisceau laser" concernant la façon de le déplacer.

NOTE :

- Placez un parement de bois contre le guide lorsque vous alignez la ligne de coupe sur la ligne laser à côté du guide pour effectuer une coupe mixte (coupe en biseau de 45 degrés et coupe d'onglet de 45 degrés sur la droite).
 - A) Pour obtenir la taille désirée du côté gauche de la pièce à travailler
 - Placez la ligne laser du côté gauche de la lame.
 - B) Pour obtenir la taille désirée du côté droit de la pièce à travailler
 - Placez la ligne laser du côté droit de la lame.Alignez votre ligne de coupe avec la ligne laser sur la pièce à travailler.

ASSEMBLAGE

AVERTISSEMENT :

- **Avant toute intervention, assurez-vous que le contact est coupé et l'outil débranché.** Il y a risque de blessure grave si l'outil n'est pas mis hors tension et débranché.

Rangement de la clé à douille (Fig. 23)

Le rangement de la clé à douille s'effectue de la façon indiquée sur la figure.

Lorsque vous avez besoin de la clé à douille, vous pouvez la retirer du support à clé.

Après l'utilisation de la clé à douille, vous pouvez la ranger en la remettant dans le support à clé.

Pose et dépose de la lame

AVERTISSEMENT :

- **Assurez-vous toujours que le contact est coupé et l'outil débranché avant de procéder à la pose ou dépose de la lame.** Le démarrage accidentel de l'outil peut entraîner une blessure grave.
- **Utilisez exclusivement la clé à douille Makita fournie pour effectuer la pose ou dépose de la lame.** Le boulon hexagonal risque d'être trop ou pas assez serré si vous n'utilisez pas la clé, et cela comporte un risque de blessure grave.

Verrouillez la poignée en position élevée en y poussant la broche d'arrêt. (Fig. 24)

Pour retirer la lame, desserrez le boulon hexagonal de fixation du capot central à l'aide de la clé à douille en le tournant sur la gauche. Soulevez le protecteur de lame et le capot central. (Fig. 25)

Appuyez sur le blocage de l'arbre pour verrouiller l'axe et desserrez le boulon hexagonal à l'aide de la clé à douille en le tournant vers la droite. Puis, retirez le boulon hexagonal, le flasque extérieur et la lame. (Fig. 26)

NOTE :

- Si le flasque intérieur a été retiré, vous devez le poser sur l'axe avec la partie saillante orientée du côté opposé à la lame. Si le flasque n'est pas posé correctement, il frotera contre l'outil.

AVERTISSEMENT :

- **Avant de monter la lame sur l'axe, assurez-vous toujours d'avoir posé entre les flasques intérieur et extérieur la bague qui convient à l'orifice central de la lame à utiliser.** L'utilisation d'une bague d'orifice central inadéquate peut causer un montage incorrect de la lame, causant des mouvements et vibrations intenses sur la lame qui peuvent entraîner une perte de contrôle et une blessure grave.

Pour installer la lame, montez-la soigneusement sur l'axe en vous assurant que le sens indiqué par la flèche sur la surface de la lame correspond à celui de la flèche du carter de lame.

Installez le flasque extérieur et le boulon hexagonal, puis, à l'aide de la clé à douille, serrez à fond le boulon hexagonal (filetage à gauche) en le tournant vers la gauche tout en appuyant sur le blocage de l'arbre. (Fig. 27 et 28) Remettez le protecteur de lame et le capot central en position d'origine. Vissez ensuite le boulon hexagonal en le tournant vers la droite pour fixer le capot central. Tirez sur la broche d'arrêt pour dégager la poignée de la position élevée. Abaissez la poignée pour vous assurer que le protecteur de lame se déplace adéquatement. Avant de passer à la coupe, vérifiez que le blocage de l'arbre n'est pas engagé sur l'axe. (Fig. 29)

Sac à poussière (Fig. 30)

L'utilisation du sac à poussière garantit un travail plus propre et rend le ramassage des poussières plus facile. Pour installer le sac à poussière, fixez-le au raccord à poussières.

Lorsque le sac à poussière est à moitié plein, retirez-le de l'outil et tirez sur la fermeture. Videz le sac en le tapotant légèrement pour en détacher toutes les poussières qui sont restées collées sur la paroi intérieure et risquent d'entraver par la suite le ramassage des poussières.

NOTE :

- Vous pourrez effectuer un travail plus propre si vous raccordez un aspirateur à votre scie.

**Boîte à poussières (accessoire en option)
(Fig. 31, 32 et 33)**

Insérez la boîte à poussières dans le raccord à poussières.

Videz la boîte à poussières lorsque nécessaire.

Pour vider la boîte à poussières, ouvrez le couvercle en appuyant sur le bouton et jetez la sciure de bois. Remettez le couvercle en place et verrouillez-le. La boîte à poussières se retire facilement en tirant dessus tout en la tournant près du raccord à poussières de l'outil.

NOTE :

- En raccordant un aspirateur Makita à cet outil, vous effectuerez vos travaux de manière plus propre.

REMARQUE :

- Videz la boîte à poussières avant que le niveau de sciure de bois aspirée n'atteigne la section cylindrique.

Serrage des pièces

AVERTISSEMENT :

- **Il est très important de toujours immobiliser fermement la pièce à travailler au moyen d'un étau ou de butées de moulure couronnée d'un type adéquat.** Autrement il y a risque de blessure grave et vous risquez d'abîmer l'outil et/ou la pièce à travailler.
- **Après la coupe, ne soulevez la lame qu'une fois celle-ci parfaitement arrêtée.** Il y a risque de blessure grave et vous risquez d'abîmer la pièce si vous soulevez la lame alors qu'elle tourne encore.
- **Lorsque vous coupez une pièce plus longue que la base du support de la scie, la pièce doit être soutenue au même niveau sur toute sa longueur.** Une pièce bien soutenue réduira les risques de coincements de la lame et de chocs en retour, qui peuvent entraîner une blessure grave. Ne vous fiez pas uniquement à un étau vertical et/ou un étau horizontal pour immobiliser la pièce. Les matériaux minces ont tendance à s'affaisser. Supportez la pièce sur toute sa longueur, pour éviter que la lame ne se coince et provoque un éventuel CHOC EN RETOUR. (Fig. 34)

Réglage du guide (GUIDES COULISSANTS supérieurs et inférieurs)

AVERTISSEMENT :

- Avant d'utiliser l'outil, assurez-vous que les guides supérieurs et inférieurs sont fermement fixés.
- **Avant d'effectuer une coupe en biseau, assurez-vous qu'aucune partie de l'outil, et tout particulièrement la lame, n'entre en contact avec les guides supérieurs et inférieurs lorsque vous abaissez et soulevez complètement la poignée sur toute position, et lorsque vous déplacez le chariot jusqu'au bout.** Si l'outil ou la lame entre en contact avec le guide, il y a risque de choc en retour ou de mouvement inattendu de la pièce, ce qui peut entraîner une blessure grave.

Vous pouvez déplacer les guides inférieurs vers l'intérieur ou l'extérieur en desserrant les vis de serrage.

(Fig. 35)

Une zone d'indication rouge apparaît lorsque vous déplacez les guides inférieurs vers l'intérieur, et elle disparaît lorsque vous les déplacez vers l'extérieur.

Vous pouvez retirer les guides supérieurs ou les déplacer vers l'intérieur ou l'extérieur en desserrant les leviers.

(Fig. 36)

Dans le cas d'une coupe en biseau, ajustez la position des guides inférieurs et supérieurs pour les rapprocher le plus possible de la lame afin de soutenir la pièce de manière optimale, et assurez-vous qu'aucune partie de l'outil, et tout particulièrement la lame, n'entre en contact avec les guides supérieurs et inférieurs lorsque vous abaissez et soulevez complètement la poignée sur toute position, et lorsque vous poussez ou tirez complètement le chariot jusqu'à la position la plus basse. (Fig. 37)

Avant d'effectuer la coupe, faites un essai avec la lame désactivée et l'outil débranché, et vérifiez l'espace libre entre les guides et les pièces de l'outil en mouvement.

Avant d'effectuer la coupe, fixez fermement les guides inférieurs à l'aide des vis de serrage, et les guides supérieurs à l'aide des leviers.

Une fois la coupe en biseau terminée, pensez à remettre les guides supérieurs sur leur position initiale.

Étau vertical (Fig. 38)

L'étau vertical peut s'installer sur deux positions, soit à gauche soit à droite du socle. Insérez la tige de l'étau dans l'orifice du socle.

Placez le bras de l'étau en fonction de l'épaisseur et de la forme de la pièce à couper, et fixez le bras de l'étau en serrant la vis. Si la vis de fixation du bras de l'étau entre en contact avec le chariot, installez-la de l'autre côté du bras de l'étau. Assurez-vous qu'aucune partie de l'outil n'entre en contact avec l'étau lorsque vous abaissez complètement la poignée et tirez ou poussez le chariot jusqu'au bout. Si l'étau s'avère mal placé, revoyez son emplacement.

Appuyez la pièce à plat contre le guide et le plateau tournant. Placez la pièce à la position de coupe voulue et serrez à fond la poignée de l'étau.

Il sera plus facile d'installer la pièce à travailler si vous tournez la poignée de l'étau de 90° dans le sens contraire des aiguilles d'une montre pour pouvoir la déplacer vers le haut et le bas. Pour immobiliser la pièce après l'avoir installée, tournez la poignée de l'étau dans le sens des aiguilles d'une montre.

AVERTISSEMENT :

- **La pièce doit être assurée fermement contre le plateau tournant et le guide durant tous les types de sciage.** Si la pièce à travailler n'est pas bien immobilisée contre le guide, elle risquera de bouger pendant la coupe, ce qui risque d'abîmer la lame, de causer l'éjection de la pièce ou de causer une perte de contrôle pouvant entraîner une blessure grave.

**Étau horizontal (accessoire en option)
(Fig. 39 et 40)**

L'étau horizontal peut s'installer sur deux positions, soit à gauche soit à droite du socle.

Pour effectuer des coupes d'onglet de 15° ou plus, installez l'étau horizontal sur le côté opposé au sens dans lequel le plateau tournant va se déplacer.

En faisant basculer l'écrou de l'étau dans le sens contraire des aiguilles d'une montre, l'étau est relâché et peut être déplacé rapidement vers l'intérieur et l'extérieur. Pour serrer la pièce, poussez la poignée de l'étau vers l'avant jusqu'à ce que la plaque de l'étau entre en contact avec la pièce, puis faites basculer l'écrou de l'étau dans le sens des aiguilles d'une montre. Tournez ensuite la poignée de l'étau dans le sens des aiguilles d'une montre pour immobiliser la pièce.

L'épaisseur maximale des pièces que permet d'assurer l'étau horizontal est de 215 mm.

AVERTISSEMENT :

- **Faites tourner l'écrou de l'étau dans le sens des aiguilles d'une montre jusqu'à ce que la pièce à travailler soit solidement immobilisée.** Si la pièce à travailler n'est pas bien immobilisée, elle risquera de bouger pendant la coupe, ce qui risque d'abîmer la lame, de causer l'éjection de la pièce ou de causer une perte de contrôle pouvant entraîner une blessure grave.
- Pour couper une pièce mince telle qu'une plinthe contre le guide, utilisez toujours l'étau horizontal.

Servantes (accessoire en option) (Fig. 41)

Les servantes peuvent être installées d'un côté ou de l'autre et constituent un moyen pratique de supporter les pièces horizontalement. Introduisez les tiges de servante dans les orifices du socle puis ajustez leur longueur selon la pièce qui doit être maintenue. Serrez ensuite les servantes fermement avec les vis.

AVERTISSEMENT :

- **Soutenez toujours la pièce à travailler de sorte qu'elle se trouve au même niveau que la surface du plateau tournant pour effectuer une coupe de précision et prévenir la perte de contrôle de l'outil.** Une pièce bien soutenue réduira les risques de coincements de la lame et de chocs en retour, qui peuvent entraîner une blessure grave.

UTILISATION

REMARQUE :

- Avant d'utiliser l'outil, libérez bien la poignée de la position abaissée en tirant sur la broche d'arrêt.
- Pendant la coupe, n'appuyez pas trop fort sur la poignée. Vous risqueriez une surcharge du moteur et/ou une diminution du régime. Abaissez la poignée en appliquant uniquement la force nécessaire pour obtenir une coupe en douceur sans diminuer de façon significative la vitesse de la lame.
- Appuyez doucement sur la poignée pour effectuer la coupe. Si vous appuyez trop fort ou appuyez latéralement, la lame vibrera et elle laissera une marque (marque de sciage) sur la pièce ; la précision de coupe sera également moindre.
- Pendant une coupe longitudinale, poussez doucement le chariot vers le guide sans vous arrêter. Si le mouvement du chariot est interrompu pendant la coupe, cela provoquera une marque sur la pièce, et la précision de coupe sera réduite.

AVERTISSEMENT :

- **Avant de mettre le contact, assurez-vous que la lame ne touche pas la pièce, etc.** Il y a risque de choc en retour et de blessure grave si vous mettez le contact alors que la lame est en contact avec la pièce à travailler.

1. Coupe verticale (coupe de petites pièces) (Fig. 42)

Les pièces d'une hauteur et d'une largeur maximales de 68 mm et 160 mm respectivement seront coupées de la façon suivante.

Tournez d'abord le levier de butée dans le sens des aiguilles d'une montre et faites glisser le chariot sur la position désirée, puis poussez le chariot complètement vers le guide, serrez la vis de verrouillage en tournant dans le sens des aiguilles d'une montre et tirez le levier de verrouillage vers l'avant de la scie pour immobiliser le chariot. Immobilisez bien la pièce à travailler au moyen d'un étau ou de butées de moulure couronnée d'un type adéquat.

Puis, fixez la pièce dans l'étau. Mettez l'outil en marche alors que la lame ne touche à rien et attendez qu'elle ait atteint sa pleine vitesse avant de l'abaisser. Abaissez ensuite doucement la poignée au maximum pour couper la pièce. Lorsque la coupe est terminée, arrêtez l'outil et **ATTENDEZ QUE LA LAME SOIT ARRIVÉE A UN ARRÊT COMPLET** avant de la laisser revenir en position haute.

AVERTISSEMENT :

- **Serrez fermement la vis de verrouillage en tournant dans le sens des aiguilles d'une montre, et tirez le levier de verrouillage vers l'avant de la scie pour empêcher le chariot de bouger pendant la coupe.** Si vous ne serrez pas assez la vis de verrouillage, il y a risque de choc en retour pouvant entraîner une blessure grave.

2. Coupe en glissière (poussée) (coupe de grandes pièces) (Fig. 43 et 44)

Desserrez la vis de verrouillage en tournant dans le sens contraire des aiguilles d'une montre, et poussez le levier de verrouillage vers l'avant pour que le chariot puisse glisser librement. Immobilisez la pièce à travailler avec un étau du bon type. Tirez complètement le chariot vers vous. Mettez l'outil en marche alors que la lame ne touche à rien et attendez qu'elle ait atteint sa pleine vitesse. Abaissez la poignée et **POUSSEZ LE CHARIOT VERS LE GUIDE ET À TRAVERS LA PIÈCE.** Lorsque la coupe est terminée, arrêtez l'outil et **ATTENDEZ QUE LA LAME SE SOIT COMPLÈTEMENT ARRÊTÉE** avant de ramener la lame en position complètement relevée.

AVERTISSEMENT :

- **Chaque fois que vous effectuez une coupe en glissière, tirez d'abord le chariot complètement vers vous et abaissez complètement la poignée, puis poussez le chariot vers le guide. Ne commencez jamais la coupe alors que le chariot n'est pas complètement tiré vers vous.** Si vous effectuez une coupe en glissière sans avoir tiré complètement le chariot vers vous, il se peut que la lame effectue un soudain choc en retour pouvant entraîner une blessure grave.
- **N'essayez jamais d'effectuer une coupe en glissière en tirant le chariot vers vous.** Si vous tirez le chariot vers vous pendant la coupe, il se peut que la lame effectue un soudain choc en retour pouvant entraîner une blessure grave.
- N'effectuez jamais une coupe en glissière alors que la poignée a été verrouillée en position abaissée.

- **Ne desserrez jamais le bouton qui retient le chariot alors que la lame tourne.** Si le chariot est mal serré pendant la coupe, il se peut que la lame effectue un soudain choc en retour pouvant entraîner une blessure grave.

3. Coupe d'onglet

Voyez la section précédente "Réglage de l'angle de coupe d'onglet".

4. Coupe en biseau (Fig. 45)

Desserrez le levier et inclinez la lame à l'angle de biseau réglé (voyez la section précédente "Réglage de l'angle de coupe en biseau"). Pensez à resserrer le levier à fond de façon à bien fixer l'angle de biseau sélectionné. Fixez la pièce dans l'étau. Assurez-vous que le chariot est complètement ramené vers vous. Mettez l'outil en marche alors que la lame ne touche à rien et attendez qu'elle ait atteint sa pleine vitesse. Abaissez ensuite doucement la poignée sur la position la plus basse tout en appliquant une pression parallèle à la lame et **POUSSEZ LE CHARIOT VERS LE GUIDE POUR COUPER LA PIÈCE.** Lorsque la coupe est terminée, arrêtez l'outil et **ATTENDEZ QUE LA LAME SE SOIT COMPLÈTEMENT ARRÊTÉE** avant de ramener la lame en position complètement relevée.

AVERTISSEMENT :

- **Avant d'utiliser l'outil après l'avoir réglé pour une coupe en biseau, assurez-vous que le chariot et la lame pourront se déplacer librement sur toute l'étendue prévue pour la coupe.** L'interruption du chariot ou de la lame en cours de déplacement lors de la coupe peut causer un choc en retour et entraîner une blessure grave.
- **Lors de l'exécution d'une coupe en biseau, gardez les mains hors de la trajectoire de la lame.** L'angle de la lame peut induire l'utilisateur en erreur concernant la véritable trajectoire de la lame pendant la coupe, ce qui comporte un risque de blessure grave au contact de la lame.

Mesure

Mesurez la longueur du mur et ajustez la pièce sur l'établi pour couper à la longueur désirée le bord qui entrera en contact avec le mur. Assurez-vous toujours que la longueur de la pièce coupée à l'arrière de la pièce correspond à celle du mur. Ajustez la longueur de coupe selon l'angle de coupe. Vérifiez toujours les angles de coupe de la scie en effectuant des tests sur quelques morceaux.

Pour couper des moulures couronnées et concaves, réglez l'angle de coupe en biseau et l'angle de coupe d'onglet tel qu'indiqué dans le tableau (A), et placez les moulures sur la face supérieure du socle de la scie, tel qu'indiqué dans le tableau (B).

Dans le cas d'une coupe en biseau sur la gauche

Tableau (A)

	Position de moulure sur les Fig. 47 et 48	Angle de coupe en biseau		Angle de coupe d'onglet	
		Type 52/38°	Type 45°	Type 52/38°	Type 45°
Pour coin intérieur	(1)	33,9° à gauche	30° à gauche	31,6° à droite	35,3° à droite
	(2)			31,6° à gauche	35,3° à gauche
Pour coin extérieur	(3)			31,6° à droite	35,3° à droite
	(4)				

- **La lame ne doit être soulevée qu'une fois complètement arrêtée.** Lors d'une coupe en biseau, il se peut que la partie coupée de la pièce vienne s'appuyer contre la lame. Si vous soulevez la lame alors qu'elle tourne encore, la partie coupée de la pièce risquera d'être éjectée par la lame, et ce fragment éjecté peut causer une blessure grave.

REMARQUE :

- A la descente, manœuvrez la poignée selon l'angle donné à la lame. Si vous appuyez perpendiculairement au socle rotatif, ou si la pression change de sens pendant la coupe, la précision de coupe en souffrira.
- Avant d'effectuer une coupe en biseau, il peut être nécessaire d'ajuster les guides supérieurs et inférieurs. Reportez-vous à la section "Réglage du guide".

5. Coupe mixte

La coupe mixte consiste à appliquer un angle de biseau tout en effectuant une coupe d'onglet sur une pièce. La coupe mixte est possible à l'angle indiqué dans le tableau.

Angle d'onglet	Angle de biseau
0° – 45° à gauche et droite	0° – 45° à gauche et droite

Pour effectuer une coupe mixte, référez-vous aux explications des sections "Coupe verticale", "Coupe en glissière", "Coupe d'onglet" et "Coupe en biseau".

6. Coupe de moulures couronnées et concaves

Les moulures couronnées et concaves peuvent être coupées avec une scie à coupe d'onglet combinée, en les déposant à plat sur le plateau tournant.

Il existe deux types communs de moulures couronnées et un type de moulure concave, à savoir : les moulures couronnées pour angles de murs respectifs de 52/38° et 45°, et les moulures concaves pour angle de mur de 45°.

(Fig. 46)

Il existe des joints de moulures couronnées et concaves qui s'adaptent aux coins "intérieurs" de 90° ((1) et (2) sur les Fig. 47 et 48), et aux coins "extérieurs" de 90° ((3) et (4) sur les Fig. 47 et 48).

Tableau (B)

	Position de moulure sur les Fig. 47 et 48	Bord de moulure contre le guide	Partie de la pièce à utiliser
Pour coin intérieur	(1)	Le bord de contact avec le plafond doit être contre le guide.	La partie de la pièce à utiliser sera du côté gauche de la lame.
	(2)	Le bord de contact avec le mur doit être contre le guide.	
Pour coin extérieur	(3)	Le bord de contact avec le plafond doit être contre le guide.	La partie de la pièce à utiliser sera du côté droit de la lame.
	(4)		

Exemple :

Dans le cas d'une coupe de moulure couronnée du type 52/38° pour la position (1) des **Fig. 47 et 48** :

- Réglez l'angle de coupe en biseau et immobilisez-le sur 33,9° vers la GAUCHE.
- Réglez l'angle de coupe d'onglet et immobilisez-le sur 31,6° vers la DROITE.
- Déposez sur le plateau tournant la moulure couronnée, face large (cachée) orientée vers le bas, et en plaçant le BORD DE CONTACT AVEC LE PLAFOND contre le guide de la scie.
- La partie de la pièce à utiliser doit toujours être du côté GAUCHE de la lame une fois la coupe terminée.

Dans le cas d'une coupe en biseau sur la droite

Tableau (A)

	Position de moulure sur les Fig. 47 et 48	Angle de coupe en biseau		Angle de coupe d'onglet	
		Type 52/38°	Type 45°	Type 52/38°	Type 45°
Pour coin intérieur	(1)	33,9° à droite	30° à droite	31,6° à droite	35,3° à droite
	(2)			31,6° à gauche	35,3° à gauche
Pour coin extérieur	(3)			31,6° à gauche	35,3° à gauche
	(4)			31,6° à droite	35,3° à droite

Tableau (B)

	Position de moulure sur les Fig. 47 et 48	Bord de moulure contre le guide	Partie de la pièce à utiliser
Pour coin intérieur	(1)	Le bord de contact avec le mur doit être contre le guide.	La partie de la pièce à utiliser sera du côté droite de la lame.
	(2)	Le bord de contact avec le plafond doit être contre le guide.	
Pour coin extérieur	(3)	Le bord de contact avec le mur doit être contre le guide.	La partie de la pièce à utiliser sera du côté gauche de la lame.
	(4)		

Exemple :

Dans le cas d'une coupe de moulure couronnée du type 52/38° pour la position (1) des **Fig. 47 et 48** :

- Réglez l'angle de coupe en biseau et immobilisez-le sur 33,9° vers la DROITE.
- Réglez l'angle de coupe d'onglet et immobilisez-le sur 31,6° vers la DROITE.
- Déposez sur le plateau tournant la moulure couronnée, face large (cachée) orientée vers le bas, et en plaçant le BORD DE CONTACT AVEC LE MUR contre le guide de la scie.
- La partie de la pièce à utiliser doit toujours être du côté DROIT de la lame une fois la coupe terminée.

Les butées de moulure couronnée (accessoires en option) facilitent les coupes de moulure couronnée sans inclinaison de la lame. Installez-les sur le socle de la façon indiquée sur les illustrations. (**Fig. 49 et 50**)

Fig. 49 : Avec un angle de coupe d'onglet de 45° vers la droite

Fig. 50 : Avec un angle de coupe d'onglet de 45° vers la gauche

Placez la moulure couronnée avec le BORD DE CONTACT AVEC LE MUR contre le guide et le BORD DE CONTACT AVEC LE PLAFOND contre les butées de moulure couronnée, tel qu'indiqué sur l'illustration (**Fig. 51**). Ajustez les butées de moulure couronnée suivant la taille de la moulure couronnée. Serrez les vis pour immobiliser les butées de moulure couronnée. Référez-vous au tableau (C) pour l'angle de coupe d'onglet.

Tableau (C)

	Position de moulure sur les Fig. 47 et 48	Angle de coupe d'onglet	Partie de la pièce à utiliser
Pour coin intérieur	(1)	45° à droite	Conserver la pièce à droite de la lame
	(2)	45° à gauche	Conserver la pièce à gauche de la lame
Pour coin extérieur	(3)		Conserver la pièce à droite de la lame
	(4)	45° à droite	Conserver la pièce à gauche de la lame

7. Coupe des profilés d'aluminium

Lorsque vous sciez des profilés d'aluminium, servez-vous de cales d'écartement ou de martyrs comme sur la **Fig. 52** afin d'empêcher la déformation de l'aluminium. Utilisez aussi un lubrifiant de coupe lorsque vous sciez de l'aluminium afin d'empêcher l'accumulation de particules d'aluminium sur la lame.

AVERTISSEMENT :

- **Ne tentez jamais de scier des profilés d'aluminium épais ou ronds.** Il peut être difficile de fixer les profilés d'aluminium ronds ou épais, et ils peuvent se desserrer pendant la coupe, ce qui comporte un risque de perte de contrôle et de blessure grave.

8. Rainurage (Fig. 53)

Des rainures peuvent être effectuées en procédant comme suit :

Ajustez la position limite inférieure de la lame au moyen de la vis de réglage et du bras de blocage pour limiter la profondeur de coupe de la lame. Référez-vous à la section "Bras de blocage" ci-dessus.

Après avoir ajusté la position limite inférieure de la lame, coupez des rainures parallèles sur la largeur de la pièce, en procédant par coupe en glissière (poussée), tel qu'indiqué sur la figure. Retirez ensuite le matériau de la pièce entre les rainures, au moyen d'un ciseau.

AVERTISSEMENT :

- **Ne tentez pas d'effectuer ce type de coupe au moyen d'une lame plus large ou d'une lame à rainurer.** La coupe risque de donner des résultats décevants si vous tentez d'effectuer le rainurage avec une lame plus large ou une lame à rainurer, et il y a risque de choc en retour pouvant causer une blessure grave.
- **Assurez-vous d'avoir remis le bras de blocage en position initiale avant d'effectuer un autre type de coupe que le rainurage.** La coupe risque de donner des résultats décevants si vous tentez de l'effectuer avec le bras de blocage en position incorrecte, et il y a risque de choc en retour pouvant causer une blessure grave.

Transport de l'outil

Vérifiez que l'outil est débranché. Fixez la lame sur un angle de coupe en biseau de 0° et le plateau tournant dans la position d'angle d'onglet complètement à droite. Fixez les tiges de glissement de sorte que la tige inférieure soit verrouillée dans la position où le chariot est complètement tiré vers l'utilisateur, et que les tiges supérieures soient verrouillées dans la position où le chariot est complètement poussé à l'avant vers le guide (reportez-vous à la section intitulée "Réglage du verrou de glissement".) Abaissez complètement la poignée et verrouillez-la en position inférieure en enfonçant le broche d'arrêt. (**Fig. 54**)

Saisissez l'outil par les deux côtés du socle pour le transporter, comme indiqué sur la figure. L'outil sera plus facile à transporter si vous retirez les servantes, le sac à poussière, etc. (**Fig. 55**)

AVERTISSEMENT :

- **La broche d'arrêt ne doit être utilisée que lors du transport et du rangement de l'outil, jamais pendant la coupe.** L'utilisation de la broche d'arrêt pendant la coupe peut causer un mouvement inattendu de la lame résultant en un choc en retour et une blessure grave.

ATTENTION :

- Immobilisez toujours toutes les pièces mobiles de l'outil avant de le transporter. Si des pièces de l'outil bougent ou glissent pendant que vous la transportez, vous risquez d'en perdre le contrôle ou de perdre l'équilibre, ce qui comporte un risque de blessure.

ENTRETIEN

AVERTISSEMENT :

- **Assurez-vous toujours que le contact est coupé et l'outil débranché avant d'effectuer tout travail d'inspection ou d'entretien.** Il y a risque de démarrage accidentel de l'outil et de blessure grave si vous ne coupez pas le contact et ne débranchez pas l'outil.
- **Pour obtenir de l'outil une performance optimale et une sécurité maximale, assurez-vous toujours que la lame est affûtée et propre.** Il y a risque de choc en retour et de blessure grave si vous tentez d'effectuer la coupe avec une lame émoussée et/ou sale.

REMARQUE :

- N'utilisez jamais d'essence, benzine, diluant, alcool ou autre produit similaire. Cela risquerait de provoquer la décoloration, la déformation ou la fissuration de l'outil.

Réglage de l'angle de coupe

L'outil a été soigneusement réglé et aligné en usine, mais une manipulation maladroite a pu dérégler l'alignement. Si l'outil n'est pas aligné correctement, effectuez les opérations suivantes :

1. Angle d'onglet

Poussez le chariot vers le guide et serrez la vis de verrouillage en tournant dans le sens des aiguilles d'une montre, et tirez le levier de verrouillage vers l'avant de la scie pour immobiliser le chariot.

Tournez dans le sens contraire des aiguilles d'une montre la poignée qui retient le plateau tournant. Faites pivoter le socle rotatif de sorte que l'index pointe vers 0° sur le secteur. Tournez ensuite le socle rotatif légèrement vers la droite et la gauche pour le caler dans l'entaille d'onglet de 0°. (Laissez-le tel quel si l'index n'indique pas 0°.) Avec la clé à douille, desserrez les boulons hexagonaux qui retiennent le guide.

Abaissez complètement la poignée et verrouillez-la en position inférieure en enfonçant la broche d'arrêt. Placez le côté de la lame à angle droit par rapport à la surface du guide à l'aide d'une règle triangulaire, d'une équerre de menuisier, etc. Vissez ensuite fermement les boulons hexagonaux du guide, dans l'ordre, en commençant du côté droit. (Fig. 56)

Assurez-vous que l'index indique 0° sur l'échelle de coupe d'onglet. Si l'index n'indique pas 0°, desserrez la vis qui retient l'index et réglez ce dernier de sorte qu'il indique 0°. (Fig. 57)

2. Angle de biseau

Poussez le levier de fermeture complètement vers l'avant pour libérer les butées fixes.

1) Angle de coupe en biseau 0°

Poussez le chariot vers le guide et serrez la vis de verrouillage en tournant dans le sens des aiguilles d'une montre, et tirez le levier de verrouillage vers l'avant de la scie pour immobiliser le chariot. Abaissez complètement la poignée et verrouillez-la en position inférieure en enfonçant la broche d'arrêt. Desserrez le levier au dos de l'outil. (Fig. 58)

Tournez le boulon hexagonal sur la droite du support de bras de deux ou trois tours vers la gauche de façon à incliner la lame à droite. (Fig. 59)

Placez délicatement le côté de la lame à angle droit par rapport à la surface supérieure du plateau tournant à l'aide d'une équerre, etc., en tournant le boulon hexagonal situé à droite du support de bras vers la droite. Puis, serrez le levier à fond. (Fig. 60)

Assurez-vous que les index du support de bras se trouvent bien en face de chaque 0° de l'échelle sur le bras. Si tel n'est pas le cas, desserrez les vis de fixation des index et réglez-les de façon qu'ils soient juste en face de 0°. (Fig. 61)

2) Angle de coupe en biseau 45° (Fig. 62)

Régalez l'angle de 45° uniquement après avoir réglé l'angle de biseau de 0°. Pour ce faire, desserrez le levier et inclinez la lame à fond sur la gauche. Vérifiez que l'index du bras indique 45° sur l'échelle du support de bras. Si l'index n'indique pas 45°, tournez le boulon de réglage d'angle de biseau de 45° de gauche du côté du bras jusqu'à ce qu'il indique 45°.

Pour ajuster l'angle de coupe en biseau 45° de droite, effectuez la même procédure que celle décrite ci-dessus.

Réglage de la position de la ligne laser (Fig. 63 et 64)

Pour les modèles LS1016L et LS1016FL uniquement

AVERTISSEMENT :

- Comme l'outil doit être branché lors du réglage de la ligne laser, vous devez prendre tout particulièrement garde afin de ne pas allumer l'outil. Le démarrage accidentel de l'outil peut entraîner une blessure grave.

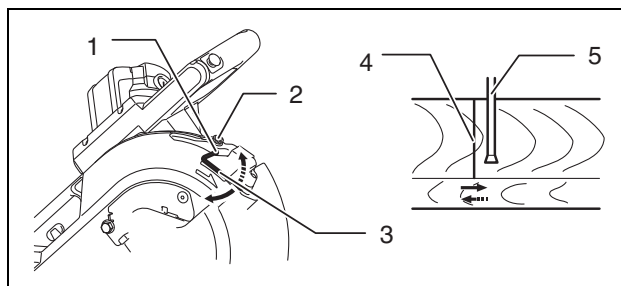
ATTENTION :

- Ne jamais regarder directement le faisceau laser. L'exposition directe des yeux au faisceau laser peut causer de graves dommages aux yeux.
- RAYONNEMENT LASER
Ne pas fixer le rayon.

REMARQUE :

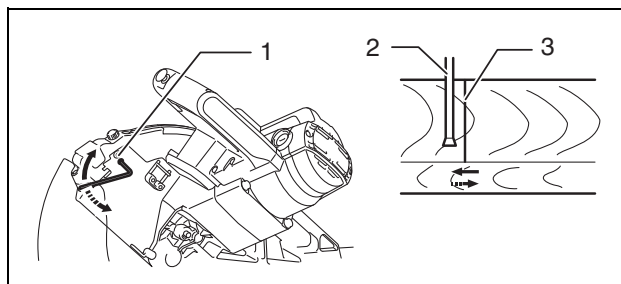
- Soyez conscient du fait que tout impact sur l'outil peut désaligner la ligne laser ou endommager le laser, réduisant ainsi sa durée de vie.

Régler la ligne laser pour le côté gauche de la lame.



- 1 Vis de modification de la plage de déplacement de la vis de réglage
- 2 Vis de réglage
- 3 Clé hexagonale
- 4 Ligne laser
- 5 Lame

Régler la ligne laser pour le côté droit de la lame.



- 1 Vis de réglage
- 2 Lame
- 3 Ligne laser

Dans un cas comme dans l'autre, procédez comme suit.

1. Vérifiez que l'outil est débranché.
2. Tracez votre ligne de coupe sur la pièce à travailler et placez cette dernière sur le socle rotatif. Ne fixez pas immédiatement la pièce à travailler avec un étau ou un dispositif de sécurité similaire.
3. Abaissez la lame en baissant la poignée, et vérifiez simplement la position respective de la ligne de coupe et de la lame. (Choisissez la position à couper sur la ligne de coupe.)
4. Après avoir établi la bonne position de ligne par rapport à la lame, remettez la poignée sur sa position initiale. Fixez la pièce à travailler à l'aide de l'étau vertical, sans déplacer la pièce de sa position correcte initiale.
5. Branchez l'outil et mettez l'interrupteur du laser en position de marche.
6. Procédez comme suit pour ajuster la position de la ligne laser.

La position de la ligne laser peut être modifiée sur la plage permise par la vis de réglage, en tournant deux vis avec une clé hexagonale. (En usine la plage de déplacement de la ligne laser est réglée à moins de 1 mm de la surface latérale de la lame.)

Pour que la plage de déplacement de la ligne laser se trouve à une plus grande distance de la surface latérale de la lame, tournez les deux vis vers la gauche après avoir desserré la vis de réglage. Pour la rapprocher de la surface latérale de la lame, tournez ces deux vis vers la droite après avoir desserré la vis de réglage.

Reportez-vous à la section intitulée "Utilisation du faisceau laser" et ajustez la vis de réglage de sorte que la ligne de coupe tracée sur la pièce à travailler soit alignée sur la ligne laser.

NOTE :

- Pour assurer la précision du travail de coupe, vérifiez régulièrement la position de la ligne laser.
- En cas de défaillance du dispositif laser, faites réparer l'outil par un centre de service après-vente agréé Makita.

Nettoyage de la lentille laser (Fig. 65 et 66)

Pour les modèles LS1016L et LS1016FL uniquement

Lorsque la lentille de lumière laser est sale ou que la poussière rend la ligne laser peu visible, débranchez la scie puis retirez et nettoyez doucement la lentille du laser avec un linge doux et humide. N'utilisez pas de solvants ni de détergents à base d'essence pour nettoyer la lentille.

Avant de retirer la lentille de lumière laser, retirez d'abord la lame en suivant les instructions de la section "Pose et dépose de la lame".

Avec un tournevis, desserrez, sans la retirer, la vis qui retient la lentille.

Tirez sur la lentille pour la retirer, tel qu'indiqué sur l'illustration.

NOTE :

- Si la lentille ne sort pas, desserrez davantage la vis et tirez à nouveau sur la lentille, sans toutefois retirer la vis.

Remplacement des charbons (Fig. 67 et 68)

Retirez et vérifiez les charbons régulièrement. Remplacez-les lorsqu'ils atteignent le repère d'usure. Gardez les charbons propres et libres de glisser dans les porte-charbons. Les deux charbons doivent être remplacés simultanément. Utilisez uniquement des charbons identiques.

Retirez les bouchons de porte-charbon à l'aide d'un tournevis. Enlevez les charbons usés, insérez les neufs et remettez en place les bouchons.

Après avoir remplacé les charbons, branchez l'outil et rodez les charbons en faisant fonctionner l'outil à vide pendant environ 10 minutes. Vérifiez ensuite le fonctionnement de l'outil en marche et l'activation du frein électrique lorsque vous libérez la gâchette. Si le frein électrique ne fonctionne pas bien, faites réparer l'outil dans un centre de service après-vente Makita.

Après l'utilisation

- Après l'utilisation essuyez les copeaux et poussières qui adhèrent à l'outil à l'aide d'un chiffon ou d'un objet similaire. Gardez le protecteur de lame propre, conformément aux instructions fournies dans la section précédente intitulée "Protecteur de lame". Lubrifiez les parties coulissantes avec de l'huile à machine pour prévenir la formation de rouille.
- Pour ranger l'outil, tirez le chariot complètement vers vous de façon que les coulisses disparaissent complètement dans le socle rotatif.

Pour assurer la SECURITE et la FIABILITE du produit, toute réparation et tout travail d'entretien ou de réglage doivent être effectués par un Centre d'Entretien autorisé Makita, avec des pièces de rechange Makita.

ACCESSOIRES

AVERTISSEMENT :

- **Les accessoires ou pièces supplémentaires qui suivent sont recommandés pour l'utilisation avec l'outil Makita spécifié dans ce manuel.** L'utilisation de tout autre accessoire ou pièce supplémentaire peut entraîner une blessure grave.
- **Utilisez l'accessoire ou la pièce supplémentaire Makita uniquement dans le but spécifié.** La mauvaise utilisation d'un accessoire ou d'une pièce supplémentaire comporte un risque de blessure grave.

Pour obtenir plus de détails sur ces accessoires, contactez votre Centre d'Entretien local Makita.

- Lames à dents d'acier et de carbure de tungstène

Lames pour scie d'onglet	Pour des coupes effectuées en douceur et avec précision dans divers matériaux.
Combinaison	Lame d'usage général pour effectuer rapidement et en douceur des coupes longitudinales, des coupes en travers et des coupes d'onglet.
Coupe en travers	Pour des coupes plus en douceur dans le sens opposé au grain. Permet un découpage propre dans le sens opposé au grain.
Coupes en travers de précision	Pour des coupes propres et sans ponçage dans le sens opposé au grain.
Lames pour coupe d'onglet sur métaux non ferreux	Pour les coupes d'onglet dans l'aluminium, le cuivre, le laiton, les tubes et autres métaux non ferreux.

- Ensemble d'étau (étau horizontal)
- Étau vertical
- Clé à douille 13
- Servante
- Sac à poussière
- Jeu de butées de moulure couronnée
- Règle triangulaire
- Boîte à poussières
- Clé hexagonale (pour LS1016L et LS1016FL)

Übersicht

1	Anschlagstift	34	Mittenabdeckung	66	Deckenleistenanschlag L (Sonderzubehör)
2	Sechskantschraube(n)	35	Spindelarreterung	67	Deckenleistenanschlag R (Sonderzubehör)
3	Schutzhaube	36	Sägeblattgehäuse	68	Deckenleistenanschlag L
4	Schlitzplatte	37	Pfeil	69	Deckenleistenanschlag R
5	Sägeblatt	38	Außenflansch	70	Deckenleiste
6	Sägeblattzähne	39	Innenflansch	71	Schraubstock
7	Linker Gehrungsschnitt	40	Spindel	72	Distanzblock
8	Gerader Schnitt	41	Ring	73	Aluminium-Strangpressprofil
9	Rechter Gehrungsschnitt	42	Staubtülle	74	Nuten
10	Arretierhebel	43	Staubsack	75	Einstelldreieck
11	Schraube	44	Verschluss	76	Gehrungswinkelskala
12	Einstellschraube	45	Staubsammelbehälter	77	Gehrungswinkelskala
13	Drehteller	46	Abdeckung	78	0°-Winkel-Einstellschraube
14	Anschlaghebel	47	Knopf	79	Skalenscheibe
15	Gleitrohr	48	Zylinderteil	80	Einstellschraube für 45° Linksseiten Neigungswinkel
16	Drehteller-Oberfläche	49	Sägemehl	81	Einstellschraube für 45° Rechtsseiten Neigungswinkel
17	Sägeblattumfang	50	Stütze	82	Werkstück
18	Gehrungsanschlag	51	Drehteller	83	Laserlinie
19	Einstellschraube	52	Klemmschrauben	84	Vertikal-Schraubstock
20	Anschlagarm	53	Oberer Anschlag	85	Schraubendreher
21	Griff	54	Unterer Anschlag	86	Schraube (nur ein Teil)
22	Nocken	55	Schraubstockknopf	87	Linse für Laserlicht
23	Hebel	56	Schraubstockarm	88	Verschleißgrenze
24	Rasthebel	57	Stehbolzen	89	Bürstenhalterkappe
25	Skalenscheibe	58	Schraubstockplatte	90	Sicherungsschraube
26	Entriegelungsknopf	59	Schraubstockmutter	91	Lichtschalter
27	Zeiger	60	Auflagebügel	92	Leuchte
28	Einschaltsperrknopf	61	52/38°-Deckenleistentyp	93	Roter Anzeigebereich
29	Ein-Aus-Schalter	62	45°-Deckenleistentyp		
30	Loch für Vorhängeschloss	63	45°-Hohlleistentyp		
31	Laserschalter	64	Innenecke		
32	Steckschlüssel	65	Außenecke		
33	Steckschlüsselhalter				

TECHNISCHE DATEN

Modell

LS1016/LS1016L/LS1016F/LS1016FL

Sägeblattdurchmesser

Für alle Länder außerhalb Europas	255 mm – 260 mm
Für europäische Länder	260 mm


Sägeblattbohrung

Für alle Länder außerhalb Europas	25,4 mm
Für europäische Länder	30 mm

Max. Schnitttiefe (H x B) mit Sägeblatt von 260 mm Durchmesser

Gehrungswinkel	Neigungswinkel		
	45° (links)	0°	45° (rechts)
0°	42 mm x 310 mm	68 mm x 310 mm	29 mm x 310 mm
	58 mm x 279 mm	91 mm x 279 mm	43 mm x 279 mm
45° (rechts and links)	42 mm x 218 mm	68 mm x 218 mm	29 mm x 218 mm
	58 mm x 197 mm	91 mm x 197 mm	43 mm x 197 mm
52° (rechts and links)	–	68 mm x 190 mm	–
	–	91 mm x 171 mm	–
60° (rechts)	–	68 mm x 155 mm	–
	–	91 mm x 139 mm	–

45°-Typ Deckenleiste (mit Verwendung von Deckenleistenanschlag)	168 mm
Fußeiste (H) (mit Verwendung von Horizontalzwinge)	120 mm

Leerlaufdrehzahl (min ⁻¹)	3 200
Lasertyp (LS1016L, LS1016FL)	Roter Laser 650 nm, <1,6mW (Laserklasse 2M)
Abmessungen (L x B x H)	718 mm x 640 mm x 671 mm
Nettogewicht	
Für alle Länder außerhalb Europas	
LS1016	23,6 kg
LS1016L/LS1016F	23,7 kg
LS1016FL	23,8 kg
Für europäische Länder	
LS1016	24,1 kg
LS1016L/LS1016F	24,2 kg
LS1016FL	24,3 kg
Sicherheitsklasse	 /II

- Im Zuge unseres laufenden Forschungs- und Entwicklungsprogramms behalten wir uns das Recht vor, Änderungen an den vorliegenden technischen Daten ohne Vorankündigung vorzunehmen.
- Die technischen Daten können von Land zu Land unterschiedlich sein.
- Gewicht nach EPTA-Verfahren 01/2003

Vorgesehene Verwendung


Die Maschine ist für genaue Gerad- und Gehrungsschnitte in Holz vorgesehen. Mit entsprechenden Sägeblättern kann auch Aluminium gesägt werden.

Stromversorgung

Die Maschine darf nur an eine Einphasen-Wechselstromquelle angeschlossen werden, deren Spannung mit der Angabe auf dem Typenschild übereinstimmt. Sie ist gemäß der Europa-Norm doppelt schutzisoliert, und kann daher auch mit Steckdosen ohne Erdleiter verwendet werden.

GEA010-1

Allgemeine Sicherheitswarnungen für Elektrowerkzeuge

 **WARNUNG Lesen Sie alle Sicherheitswarnungen und Anweisungen durch.** Eine Missachtung der unten aufgeführten Warnungen und Anweisungen kann zu einem elektrischen Schlag, Brand und/oder schweren Verletzungen führen.

Bewahren Sie alle Warnungen und Anweisungen für spätere Bezugnahme auf.

ENB034-6

ZUSÄTZLICHE SICHERHEITSGELTEN FÜR DIE MASCHINE

1. Tragen Sie stets eine Schutzbrille.
2. Halten Sie Ihre Hände von der Schnittlinie des Sägeblatts fern. Vermeiden Sie die Berührung eines auslaufenden Sägeblatts. Es kann auch in diesem Zustand noch schwere Verletzungen verursachen.

3. **Betreiben Sie die Säge nicht ohne Schutzvorrichtungen.**
Überprüfen Sie die Schutzhaube vor jeder Benutzung auf einwandfreies Schließen. Betreiben Sie die Säge nicht, wenn sich die Schutzhaube nicht ungehindert bewegt und sich nicht sofort schließt. Die Schutzhaube darf auf keinen Fall in der geöffneten Stellung festgeklemmt oder festgebunden werden.
4. **Führen Sie keine freihändigen Arbeiten aus.** Das Werkstück muss bei allen Operationen mit der Schraubzwinde fest gegen Drehteller und Gehrungsanschlag gesichert werden. Halten Sie Werkstücke niemals nur mit der Hand.
5. **Fassen Sie niemals um das Sägeblatt.**
6. **Schalten Sie die Maschine aus und lassen Sie das Sägeblatt zum Stillstand kommen, bevor Sie das Werkstück bewegen oder Einstellungen ändern.**
7. **Trennen Sie die Maschine vom Stromnetz, bevor Sie das Sägeblatt wechseln oder die Maschine warten.**
8. **Sichern Sie stets alle beweglichen Teile, bevor Sie die Maschine tragen.**
9. **Der Anschlagstift, der den Schneidkopf verriegelt, ist nur zum Tragen und zur Lagerung, nicht für irgendwelche Schneidarbeiten, vorgesehen.**
10. **Betreiben Sie die Maschine nicht in Gegenwart von brennbaren Flüssigkeiten oder Gasen.** Bei Anwesenheit von brennbaren Flüssigkeiten oder Gasen könnte der elektrische Betrieb der Maschine eine Explosion und einen Brand verursachen.
11. **Überprüfen Sie das Sägeblatt vor dem Betrieb sorgfältig auf Risse oder Beschädigung.** Wechseln Sie ein gerissenes oder beschädigtes Sägeblatt unverzüglich aus.
12. **Verwenden Sie nur die für diese Maschine vorgeschriebenen Flansche.**
13. **Achten Sie sorgfältig darauf, dass Achse, Flansche (insbesondere die Ansatzfläche) und Schraube nicht beschädigt werden.** Eine Beschädigung dieser Teile kann zu einem Sägeblattbruch führen.
14. **Vergewissern Sie sich, dass der Drehteller einwandfrei gesichert ist, damit er sich während des Betriebs nicht bewegt.**

15. Zur Sicherheit sollte die Tischplatte vor dem Betrieb von Spänen, Kleinteilen usw. gesäubert werden.
16. Schneiden Sie keine Nägel durch. Untersuchen Sie das Werkstück sorgfältig auf Nägel, und entfernen Sie diese vor der Bearbeitung.
17. Vergewissern Sie sich vor dem Einschalten der Maschine, dass die Spindelarretierung freigegeben ist.
18. Vergewissern Sie sich, dass das Sägeblatt in der Tiefstellung nicht mit dem Drehteller in Berührung kommt.
19. Halten Sie den Handgriff sicher fest. Beachten Sie, dass sich die Säge beim Anlaufen und Abstellen geringfügig nach oben oder unten bewegt.
20. Vergewissern Sie sich vor dem Einschalten der Maschine, dass das Sägeblatt nicht das Werkstück berührt.
21. Lassen Sie die Maschine vor dem eigentlichen Schneiden eines Werkstücks eine Weile laufen. Achten Sie auf Vibrationen oder Taumelbewegungen, die Anzeichen für schlechte Montage oder ein schlecht ausgewuchtetes Sägeblatt sein können.
22. Warten Sie, bis das Sägeblatt die volle Drehzahl erreicht hat, bevor Sie mit dem Schneiden beginnen.
23. Brechen Sie sofort den Betrieb ab, wenn Sie irgend-etwas Ungewöhnliches bemerken.
24. Versuchen Sie nicht, den Schalter in der Einschaltstellung zu arretieren.
25. Seien Sie stets wachsam, besonders bei sich dauernd wiederholenden, eintönigen Arbeiten. Lassen Sie sich nicht in trügerische Sicherheit wiegen. Sägeblätter kennen kein Erbarmen.
26. Verwenden Sie stets das in dieser Anleitung empfohlene Zubehör. Der Gebrauch ungeeigneten Zubehörs, wie z.B. Schleifscheiben, kann Verletzungen zur Folge haben.
27. Benutzen Sie die Säge nur zum Schneiden von Aluminium, Holz oder ähnlichem Material.
28. Schließen Sie Gehrungs- und Kappsägen beim Betrieb an eine Staubsammelvorrichtung an.
29. Wählen Sie die Sägeblätter unter Berücksichtigung des zu schneidenden Materials aus.
30. Lassen Sie beim Nutenschneiden Vorsicht walten.
31. Wechseln Sie die Schlitzplatte bei Verschleiß aus.
32. Verwenden Sie keine Sägeblätter aus Schnellstahl.
33. Bei manchen Werkstoffen kann der beim Sägen erzeugte Staub Chemikalien enthalten, die erwiesenermaßen Krebs, Geburtsfehler oder Schäden an Fortpflanzungsorganen verursachen. Beispiele dieser Chemikalien sind wie folgt:
 - Blei in Lack mit Bleizusatz
 - Arsen und Chrom in chemisch behandeltem Bauholz.
 Ihre Gefährdung durch den Umgang mit solchen Chemikalien hängt davon ab, wie oft Sie diese Arbeiten verrichten. Um Ihre Aussetzung zu diesen Chemikalien zu reduzieren: Arbeiten Sie in gut belüfteter Umgebung, und verwenden Sie geprüfte Sicherheitsvorrichtungen, wie z.B. Staubmasken, die mikroskopische Teilchen herausfiltern.
34. Um den erzeugten Geräuschpegel zu reduzieren, achten Sie stets darauf, dass das Sägeblatt scharf und sauber ist.
35. Die Bedienungsperson sollte in der Handhabung, Einstellung und Bedienung der Maschine hinreichend geschult sein.
36. Verwenden Sie korrekt geschärfte Sägeblätter. Halten Sie die auf dem Sägeblatt angegebene Maximaldrehzahl ein.
37. Unterlassen Sie das Entfernen von Bruchstücken oder anderen Teilen des Werkstücks vom Schnittbereich, während die Maschine läuft und das Sägeblatt sich nicht in der Ruhestellung befindet.
38. Verwenden Sie nur vom Hersteller empfohlene Sägeblätter, die EN847-1 entsprechen.
39. Tragen Sie Handschuhe zur Handhabung von Sägeblättern (Sägeblätter sollten stets in einem Halter getragen werden, wenn praktikabel) und rauem Material.
40. Bei Ausstattung mit einem Laser ist der Austausch mit einem anderen Lasertyp unzulässig. Reparaturen sind stets korrekt auszuführen.

BEWAHREN SIE DIESE HINWEISE SORGFÄLTIG AUF

MONTAGE

Befestigung der Säge auf einer Werkbank

Der Handgriff wird werkseitig vor dem Versand mit dem Anschlagstift in der Tiefstellung verriegelt. Lösen Sie den Anschlagstift, indem Sie geringen Abwärtsdruck auf den Handgriff ausüben und gleichzeitig den Anschlagstift herausziehen. (Abb. 1)

WARNUNG:

- **Stellen Sie sicher, dass sich die Maschine auf der Stützfläche nicht verschiebt.** Eine Verschiebung der Gehrungssäge auf der Stützfläche während des Schneidbetriebs kann zu einem Verlust der Kontrolle und schweren Verletzungen führen.

Diese Maschine sollte unter Verwendung der Schraubenbohrungen in der Grundplatte mit vier Schrauben auf einer ebenen und stabilen Oberfläche befestigt werden. Dadurch werden Umkippen und mögliche Verletzungen vermieden. (Abb. 2)

FUNKTIONSBESCHREIBUNG

WARNUNG:

- **Vergewissern Sie sich vor jeder Einstellung oder Funktionsprüfung der Maschine stets, dass sie ausgeschaltet und vom Stromnetz getrennt ist.** Wird die Maschine nicht ausgeschaltet und vom Stromnetz getrennt, kann es zu schweren Verletzungen durch versehentliches Anlaufen kommen.

Schutzhaube (Abb. 3 und 4)

Wird der Handgriff abgesenkt, hebt sich die Schutzhaube automatisch. Die Schutzhaube kehrt in ihre Ausgangsstellung zurück, wenn der Schnitt vollendet ist und der Handgriff angehoben wird.

WARNUNG:

- **Die Schutzhaube oder die daran angebrachte Feder darf auf keinen Fall funktionsunfähig gemacht oder entfernt werden.** Ein wegen fehlender Schutzhaube freiliegendes Sägeblatt kann schwere Verletzungen während des Betriebs verursachen.

Im Interesse Ihrer eigenen Sicherheit sollten Sie die Schutzhaube stets in ordnungsgemäßem Zustand halten. Funktionsstörungen der Schutzhaube müssen sofort behoben werden. Überprüfen Sie die gefederte Rückkehrbewegung der Schutzhaube.

WARNUNG:

- **Benutzen Sie die Maschine niemals mit beschädigter, defekter oder fehlender Schutzhaube oder Feder.** Der Betrieb der Maschine mit beschädigter, defekter oder entfernter Schutzhaube kann zu schweren Verletzungen führen.

Wenn die transparente Schutzhaube schmutzig wird oder soviel Sägemehl an ihr haftet, dass das Sägeblatt und/oder Werkstück nicht mehr ohne weiteres sichtbar ist, sollten Sie die Säge vom Stromnetz trennen und die Schutzhaube mit einem feuchten Tuch sorgfältig reinigen. Verwenden Sie keine Lösungsmittel oder Reinigungsmittel auf Petroleumbasis zum Reinigen der Kunststoff-Schutzhaube, weil sie dadurch beschädigt werden kann.

Falls die Schutzhaube schmutzig wird und für einwandfreien Betrieb gereinigt werden muss, führen Sie die nachstehenden Schritte aus:

Nachdem Sie die Maschine ausgeschaltet und vom Stromnetz getrennt haben, lösen Sie die Sechskantschraube, mit der die Mittenabdeckung befestigt ist, mit dem mitgelieferten Steckschlüssel. Lösen Sie die Sechskantschraube durch Drehen entgegen dem Uhrzeigersinn, und heben Sie die Schutzhaube und die Mittenabdeckung an.

In dieser Stellung der Schutzhaube kann die Reinigung gründlicher und effizienter durchgeführt werden. Wenden Sie nach der Reinigung das obige Demonteverfahren umgekehrt an, und ziehen Sie die Schraube an. Entfernen Sie nicht die Feder, welche die Schutzhaube hält. Falls die Schutzhaube durch Alterung oder UV-Strahlung beschädigt wird, bestellen Sie eine neue Schutzhaube bei einer Makita-Kundendienststelle.

DIE SCHUTZHAUBE DARF NICHT FUNKTIONSU NFÄHIG GEMACHT ODER ENTFERNT WERDEN.

Positionieren der Schlitzplatten (Abb. 5, 6 und 7)

Diese Maschine ist mit Schlitzplatten im Drehteller versehen, um Reißen am Austrittsende eines Schnitts auf ein Minimum zu reduzieren. Die Schlitzplatten sind werkseitig so eingestellt, dass das Sägeblatt nicht mit ihnen in Berührung kommt. Stellen Sie die Schlitzplatten vor dem Gebrauch wie folgt ein:

Ziehen Sie zuerst den Netzstecker ab. Drehen Sie alle Befestigungsschrauben der Schlitzplatten (je 2 auf der linken und rechten Seite) heraus. Ziehen Sie die Schrauben nur so weit an, dass sich die Schlitzplatten noch leicht von Hand bewegen lassen. Senken Sie den Handgriff völlig ab, und schieben Sie den Anschlagstift hinein, um den Handgriff in der Tiefstellung zu verriegeln. Lösen Sie die Sicherungsschraube, die die oberen Gleitstangen sichert, durch Drehen entgegen dem Uhrzeigersinn, und schieben Sie auch den Arretierhebel, der die unteren Gleitstangen sichert, vorwärts. Ziehen Sie den Schlitten ganz auf sich zu. Stellen Sie die Schlitzplatten so ein, dass sie die Seiten der Sägeblattzähne nur leicht berühren. Ziehen Sie die vorderen Schrauben an (nicht fest anziehen). Schieben Sie den Schlitten ganz zum Gehrungsanschlag, und stellen Sie die Schlitzplatten so ein, dass sie die Seiten der Sägeblattzähne nur leicht berühren. Ziehen Sie die hinteren Schrauben an (nicht fest anziehen).

Ziehen Sie den Anschlagstift nach der Einstellung der Schlitzplatten wieder heraus, und heben Sie den Handgriff an. Ziehen Sie dann alle Schrauben fest an.

BEMERKUNG:

- **Nachdem Sie den Neigungswinkel eingestellt haben, vergewissern Sie sich, dass die Schlitzplatten korrekt eingestellt sind.** Die korrekte Einstellung der Schlitzplatten trägt zu einwandfreier Abstützung des Werkstücks bei, um Ausreißen des Werkstücks zu minimieren.

Aufrechterhaltung der maximalen Schnittleistung (Abb. 8, 9 und 10)

Diese Maschine wurde werkseitig so eingestellt, dass die maximale Schnittleistung mit einem Sägeblatt von 260 mm Durchmesser erreicht wird.

Trennen Sie die Maschine vom Stromnetz, bevor Sie mit irgendwelchen Einstellungen beginnen.

Wenn Sie ein neues Sägeblatt montieren, überprüfen Sie immer die untere Grenzposition des Sägeblatts, und nehmen Sie nötigenfalls eine Einstellung vor, wie folgt:

Ziehen Sie zuerst den Netzstecker ab. Senken Sie den Anschlaghebel ab, um das Sägeblatt so zu positionieren, wie in der Abbildung gezeigt. Schieben Sie den Sägeschlitten bis zum Anschlag und senken den Sägekopf vollständig. Drehen Sie die Einstellschraube mit dem Steckschlüssel, bis der Sägeblattumfang am Berührungspunkt von Gehrungsanschlag-Vorderseite und Drehteller-Oberfläche geringfügig unterhalb der Drehteller-Oberfläche liegt.

Drehen Sie das Sägeblatt bei vom Stromnetz getrennter Maschine von Hand, während Sie den Handgriff in der Tiefstellung halten, um sicherzugehen, dass das Sägeblatt keinen Teil des Auflagetisches berührt. Nötigenfalls ist eine Nachjustierung vorzunehmen.

Bringen Sie den Anschlaghebel nach der Einstellung durch Drehen entgegen dem Uhrzeigersinn stets wieder in seine Ausgangsstellung.

WARNUNG:

- **Vergewissern Sie sich nach der Montage eines neuen Sägeblatts bei abgetrennter Maschine stets, dass das Sägeblatt in der Tiefstellung des Handgriffs keinen Teil des Auflagetisches berührt.** Falls das Sägeblatt mit dem Auflagetisch in Berührung kommt, kann es Rückschlag verursachen, was zu schweren Verletzungen führen kann.

Anschlagarm (Abb. 11)

Die untere Grenzposition des Sägeblatts kann mit dem Anschlagarm leicht eingestellt werden. Drehen Sie den Anschlagarm zum Einstellen in Pfeilrichtung, wie in der Abbildung gezeigt. Stellen Sie die Einstellschraube so ein, dass das Sägeblatt an der gewünschten Position anhält, wenn der Handgriff ganz abgeseht wird.

Einstellung des Gehrungswinkels (Abb. 12)

Drücken Sie den Griff, so dass der Nocken einrückt, und drehen Sie ihn bis zum Anschlag im Uhrzeigersinn. Drehen Sie den Drehteller, während Sie den Arretierhebel niederdrücken. Bewegen Sie den Griff, bis der Zeiger auf den gewünschten Winkel der Gehrungswinkelskala zeigt, und drehen Sie dann den Griff um 90° entgegen dem Uhrzeigersinn, um den Drehteller zu arretieren.

VORSICHT:

- Sichern Sie den Drehteller nach jeder Änderung des Gehrungswinkels stets durch Drehen des Griffs um 90° entgegen dem Uhrzeigersinn.

BEMERKUNG:

- Bringen Sie den Handgriff in die Hochstellung, bevor Sie den Drehteller drehen.

Einstellen des Neigungswinkels (Abb. 13, 14 und 15)

Um den Neigungswinkel einzustellen, lösen Sie den Hebel auf der Rückseite der Maschine durch Linksdrehen. Schieben Sie den Rasthebel vollständig nach vorn, wie in der Abbildung gezeigt, während Sie das Gewicht des Sägekopfes abstützen, um den Arretierstift vom Druck zu entlasten.

Um den Schlitten nach rechts zu neigen, neigen Sie ihn geringfügig nach links, nachdem Sie den Hebel gelöst haben, und drücken Sie den Entriegelungsknopf. Neigen Sie den Schlitten bei gedrücktem Entriegelungsknopf nach rechts.

Neigen Sie das Sägeblatt, bis der Zeiger auf den gewünschten Winkel der Neigungswinkelskala zeigt. Ziehen Sie dann den Arretierhebel durch Rechtsdrehen fest, um den Arm einwandfrei zu sichern.

Wenn der Rasthebel zur Vorderseite der Säge gezogen wird, kann das Sägeblatt mit den Rasten im rechten und linken Winkel von 22,5° und 33,9° zur Sockeloberfläche verriegelt werden.

Wenn der Rasthebel zur Rückseite der Säge gedrückt wird, wie in der Abbildung gezeigt, kann das Sägeblatt an jedem gewünschten Winkel innerhalb des vorgeschriebenen Neigungswinkelbereichs verriegelt werden.

VORSICHT:

- Sichern Sie den Arm nach jeder Änderung des Neigungswinkels stets durch Anziehen des Hebels im Uhrzeigersinn.

BEMERKUNG:

- Achten Sie beim Neigen des Sägeblatts darauf, dass der Handgriff vollständig angehoben ist.
- Wenn der Neigungswinkel geändert wird, müssen die Schlitzplatten gemäß der Beschreibung im Abschnitt „Positionieren der Schlitzplatten“ entsprechend eingestellt werden.

Gleitverriegelungseinstellung (Abb. 16)

Um die untere Gleitstange zu verriegeln, ziehen Sie den Arretierhebel zur Vorderseite der Säge.

Um die obere Gleitstange zu verriegeln, drehen Sie die Sicherungsschraube im Uhrzeigersinn.

Schalterfunktion

Für europäische Länder (Abb. 17)

Um versehentliche Betätigung des Ein-Aus-Schalters zu verhindern, ist die Maschine mit einer Einschaltsperrung ausgestattet. Zum Einschalten der Maschine den Arretierhebel nach links schieben, Einschaltsperrung und danach Ein-Aus-Schalter drücken. Zum Ausschalten lassen Sie den Ein-Aus-Schalter los.

WARNUNG:

- **Vergewissern Sie sich vor dem Anschließen der Maschine an das Stromnetz stets, dass der Ein-Aus-Schalter ordnungsgemäß funktioniert und beim Loslassen in die AUS-Stellung zurückkehrt. Betätigen Sie den Ein-Aus-Schalter nicht gewaltsam, ohne die Einschaltsperrung hineinzudrücken. Dies kann zu Beschädigung des Schalters führen.** Der Betrieb der Maschine mit fehlerhaftem Schalter kann zum Verlust der Kontrolle und zu schweren Verletzungen führen.

Der Ein-Aus-Schalter ist mit einem Loch für ein Vorhängeschloss versehen, um die Maschine zu verriegeln.

Für alle Länder außerhalb Europas (Abb. 18)

Um versehentliche Betätigung des Ein-Aus-Schalters zu verhindern, ist die Maschine mit einer Einschaltsperrung ausgestattet. Betätigen Sie zum Starten der Maschine den Ein-Aus-Schalter bei gedrückter Einschaltsperrung. Zum Ausschalten lassen Sie den Ein-Aus-Schalter los.

WARNUNG:

- **Vergewissern Sie sich vor dem Anschließen der Maschine an das Stromnetz stets, dass der Ein-Aus-Schalter ordnungsgemäß funktioniert und beim Loslassen in die AUS-Stellung zurückkehrt. Betätigen Sie den Ein-Aus-Schalter nicht gewaltsam, ohne die Einschaltsperrung hineinzudrücken. Dies kann zu Beschädigung des Schalters führen.** Der Betrieb des Werkzeugs mit fehlerhaftem Schalter kann zum Verlust der Kontrolle und zu schweren Verletzungen führen.

Der Ein-Aus-Schalter ist mit einem Loch für ein Vorhängeschloss versehen, um die Maschine zu verriegeln.

WARNUNG:

- **Verwenden Sie kein Schloss, dessen Schaft oder Kabel einen kleineren Durchmesser als 6,35 mm hat.** Ein kleinerer Schaft oder ein Kabel verriegelt die Maschine möglicherweise nicht richtig in der Aus-Stellung, so dass es zu ungewolltem Betrieb mit daraus resultierenden schweren Verletzungen kommen kann.

- **Benutzen Sie die Maschine NIEMALS, wenn der Ein-Aus-Schalter nicht voll funktionsfähig ist.** Eine Maschine mit funktionsunfähigem Schalter ist ÄUßERST GEFÄHRLICH und muss vor weiterem Gebrauch repariert werden. Anderenfalls kann es zu schweren Verletzungen kommen.
- Aus Sicherheitsgründen ist diese Maschine mit einer Einschaltsperrung ausgestattet, die versehentliches Einschalten der Maschine verhindert. Betreiben Sie die Maschine NIEMALS, wenn sie durch einfache Betätigung des Ein-Aus-Schalters eingeschaltet werden kann, ohne die Einschaltsperrung zu drücken. Ein reparaturbedürftiger Schalter kann zu ungewolltem Betrieb und daraus resultierenden schweren Verletzungen führen. Lassen Sie die Maschine von einer Makita-Kundendienststelle ordnungsgemäß reparieren, BEVOR Sie sie weiter benutzen.
- NIEMALS den Einschaltsperrknopf mit Klebeband oder anderen Mitteln unwirksam machen. Ein Schalter mit unwirksamem Einschaltsperrknopf kann zu ungewolltem Betrieb und daraus resultierenden schweren Verletzungen führen.

Ein- und Ausschalten der Lampen (Abb. 19)

Nur für Modelle LS1016F und LS1016FL

VORSICHT:

- Diese Lampe ist nicht regengeschützt. Waschen Sie die Lampe nicht mit Wasser, und benutzen Sie sie auch nicht bei Regen oder in nasser Umgebung. Anderenfalls kann es zu einem elektrischen Schlag oder Rauchentwicklung kommen.
- Berühren Sie nicht die Linse der Lampe, da sie während des Betriebs oder unmittelbar nach dem Ausschalten sehr heiß ist. Es könnte sonst zu Hautverbrennungen kommen.
- Setzen Sie die Lampe keinen Erschütterungen aus, weil sie sonst beschädigt werden oder ihre Lebensdauer sich verkürzen kann.
- Richten Sie den Lichtstrahl nicht auf Ihre Augen. Dies kann zu Sehschäden führen.
- Decken Sie die Lampe während des Betriebs nicht mit Tüchern, Karton, Pappe oder ähnlichen Objekten ab, weil es sonst zu einem Brand oder einer Entzündung kommen kann.

Um die Leuchte einzuschalten, drücken Sie den oberen Teil (I) des Schalters. Um die Leuchte auszuschalten, drücken Sie den unteren Teil (O) des Schalters.

Verstellen Sie die Lampe, um den Beleuchtungsbereich zu ändern.

HINWEIS:

- Wischen Sie Schmutz auf der Lampenlinse mit einem trockenen Tuch ab. Achten Sie sorgfältig darauf, dass Sie die Linse der Lampe nicht verkratzen, weil sich sonst die Lichtstärke verringert.

Elektronikfunktionen

Konstantdrehzahlregelung

- Die Maschine verfügt über einen elektronischen Drehzahlregler, der selbst unter Belastung zur Aufrechterhaltung einer konstanten Sägeblattdrehzahl beiträgt. Eine konstante Sägeblattdrehzahl resultiert in einem sehr glatten Schnitt.

Soft-Start-Funktion

- Diese Funktion ermöglicht weiches Anlaufen des Werkzeugs durch Begrenzung des Anlaufdrehmoments.

Laserstrahlbenutzung

Nur für Modelle LS1016L und LS1016LF

VORSICHT:

- Blicken Sie auf keinen Fall in den Laserstrahl. Der direkte Laserstrahl kann Ihre Augen verletzen.
- **LASERSTRAHLUNG! NICHT IN DEN STRAHL BLIKKEN ODER DIREKT MIT OPTISCHEN INSTRUMENTEN BETRACHTEN. LASERPRODUKT DER KLASSE 2M.**

Um den Laserstrahl einzuschalten, drücken Sie den oberen Teil (I) des Schalters. Um den Laserstrahl auszuschalten, drücken Sie den unteren Teil (O) des Schalters.

(Abb. 20)

Sie können die Laserlinie entweder zur rechten oder linken Seite des Sägeblatts verschieben, indem Sie die Einstellschraube wie folgt einstellen. (Abb. 21)

1. Lösen Sie die Einstellschraube durch Linksdrehen.
2. Schieben Sie die gelöste Einstellschraube bis zum Anschlag nach rechts oder links.
3. Ziehen Sie die Einstellschraube an der Anschlagposition fest an.

Die Laserlinie ist werksseitig so eingestellt, dass sie innerhalb 1 mm von der Seitenfläche des Sägeblatts (Schnittposition) liegt.

HINWEIS:

- Wenn die Laserlinie wegen direkten Sonnenlichts schwach erscheint und schlecht sichtbar ist, verlagern Sie den Arbeitsplatz zu einem Ort, der keinem direkten Sonnenlicht ausgesetzt ist.

Ausrichten der Laserlinie (Abb. 22)

Die Laserlinie kann je nach den Schneidarbeiten entweder zur linken oder rechten Seite des Sägeblatts verschoben werden. Angaben zur Verschiebungsmethode finden Sie im Abschnitt „Laserstrahlbenutzung“.

HINWEIS:

- Legen Sie ein Zwischenbrett an den Gehrungsanschlag an, wenn Sie die Schnittlinie bei Compound-schnitten auf die Laserlinie auf der Seite des Gehrungsanschlags ausrichten (Neigungswinkel von 45° und rechter Gehrungswinkel von 45°).

A) Bei Erhalten der korrekten Größe auf der linken Seite des Werkstücks

- Verschieben Sie die Laserlinie zur linken Seite des Sägeblatts.

B) Bei Erhalten der korrekten Größe auf der rechten Seite des Werkstücks

- Verschieben Sie die Laserlinie zur rechten Seite des Sägeblatts.

Richten Sie die Schnittlinie am Werkstück auf die Laserlinie aus.

MONTAGE

WARNUNG:

- **Vergewissern Sie sich vor der Ausführung von Arbeiten an der Maschine stets, dass sie ausgeschaltet und vom Stromnetz getrennt ist.** Das Versäumnis, die Maschine auszuschalten und vom Stromnetz zu trennen, kann zu schweren Verletzungen führen.

Steckschlüssel-Aufbewahrung (Abb. 23)

Der Steckschlüssel wird gemäß der Abbildung aufbewahrt.

Wenn der Steckschlüssel benötigt wird, kann er aus dem Schlüsselhalter gezogen werden.

Nach dem Gebrauch kann der Steckschlüssel wieder in den Schlüsselhalter eingesetzt werden.

Montage und Demontage des Sägeblatts

WARNUNG:

- **Vergewissern Sie sich vor der Montage bzw. Demontage des Sägeblatts stets, dass die Maschine ausgeschaltet und vom Stromnetz getrennt ist.** Versehentliches Anlaufen der Maschine kann zu schweren Verletzungen führen.
- **Verwenden Sie nur den mitgelieferten Makita-Steckschlüssel zum Demontieren oder Montieren des Sägeblatts.** Wird der Schraubenschlüssel nicht benutzt, kann es zu übermäßigem oder unzureichendem Anziehen der Sechskantschraube mit daraus resultierenden schweren Verletzungen kommen.

Arretieren Sie den Handgriff durch Hineinschieben des Anschlagstifts in der Hochstellung. (Abb. 24)

Zum Demontieren des Sägeblatts lösen Sie zunächst die Sechskantschraube, mit der die Mittenabdeckung befestigt ist, durch Linksdrehung mit dem Steckschlüssel. Heben Sie die Schutzhaube und die Mittenabdeckung an. (Abb. 25)

Blockieren Sie die Spindel durch Drücken der Spindelarretierung, und lösen Sie die Sechskantschraube (linksgängig) durch Rechtsdrehung des Steckschlüssels. Nehmen Sie dann Sechskantschraube, Außenflansch und Sägeblatt ab. (Abb. 26)

HINWEIS:

- Falls der Innenflansch entfernt wird, bringen Sie ihn so an der Spindel an, dass sein Vorsprung von dem Sägeblatt weg gerichtet ist. Wird der Flansch falsch montiert, schleift er an der Maschine.

WARNUNG:

- **Bevor Sie das Sägeblatt auf die Spindel montieren, sollten Sie sich stets vergewissern, dass der korrekte Ring für die Spindelbohrung des zu benutzenden Sägeblatts zwischen Innen- und Außenflansch installiert ist.** Die Verwendung eines falschen Spindelbohrungsringes kann zu unzulässiger Montage des Sägeblatts führen, so dass es zu Sägeblattbewegung und starker Vibration kommt, die möglichen Verlust der Kontrolle während des Betriebs und schwere Verletzungen zur Folge haben kann.

Zum Montieren schieben Sie das Sägeblatt vorsichtig auf die Spindel, wobei Sie darauf achten, dass der Pfeil auf dem Sägeblatt in dieselbe Richtung zeigt wie der Pfeil auf dem Sägeblattgehäuse.

Bringen Sie Außenflansch und Sechskantschraube an, und ziehen Sie dann die Sechskantschraube (linksgängig) bei gedrückter Spindelarretierung durch Linksdrehung des Steckschlüssels fest. (Abb. 27 und 28)

Bringen Sie Schutzhaube und Mittenabdeckung wieder in ihre Ausgangsstellung. Ziehen Sie dann die Sechskantschraube zur Sicherung der Mittenabdeckung im Uhrzeigersinn an. Lösen Sie den Handgriff durch Herausziehen des Anschlagstifts aus der Hochstellung. Senken Sie den Handgriff ab, um zu prüfen, ob sich die Schutzhaube einwandfrei bewegt. Vergewissern Sie sich vor der Benutzung der Maschine, dass die Spindelarretierung gelöst ist. (Abb. 29)

Staubsaack (Abb. 30)

Bei Verwendung des Staubsaacks wird das Arbeiten sauberer und das Staubsammeln einfacher. Zum Anbringen wird der Staubsaack auf die Staubtülle geschoben.

Wenn der Staubsaack etwa halb voll ist, nehmen Sie ihn von der Maschine ab und ziehen den Verschluss heraus. Entleeren Sie den Staubsaack, indem Sie ihn leicht abklopfen, um die an den Innenflächen haftenden Staubpartikel, die den Durchlass behindern können, zu lösen.

HINWEIS:

- Wenn Sie einen Makita-Staubsauger an Ihre Säge anschließen, können Sie sauberer arbeiten.

Staubsammelbehälter (Sonderzubehör)

(Abb. 31, 32 und 33)

Schieben Sie den Staubsammelbehälter auf die Staubtülle.

Entleeren Sie den Staubsammelbehälter bei Bedarf. Öffnen Sie die Abdeckung zum Entleeren des Staubsammelbehälters durch Drücken des Knopfes, und schütten Sie das Sägemehl aus. Bringen Sie die Abdeckung wieder an ihrer ursprünglichen Position an, bis sie einrastet. Sie können den Staubsammelbehälter leicht entfernen, indem Sie ihn herausziehen, während Sie ihn in der Nähe der Staubtülle am Werkzeug drehen.

HINWEIS:

- Wenn Sie einen Makita-Staubsauger an dieser Maschine anschließen, können Sie sauberer arbeiten.

BEMERKUNG:

- Leeren Sie den Staubsammelbehälter, bevor das Niveau des angesammelten Sägemehls den Zylinder teil erreicht.

Sicherung von Werkstücken

WARNUNG:

- **Es ist äußerst wichtig, das Werkstück stets mit dem geeigneten Schraubstocktyp oder mit Deckenleistenanschlagen korrekt zu sichern.** Anderenfalls kann es zu schweren Verletzungen und Beschädigung der Maschine und/oder Werkstücks kommen.
- **Heben Sie das Sägeblatt nach erfolgtem Schnitt erst an, nachdem es zum völligen Stillstand gekommen ist.** Das Anheben eines noch rotierenden Sägeblatts kann zu schweren Verletzungen und Beschädigung des Werkstücks führen.
- **Wenn Sie ein Werkstück schneiden, das länger als der Auflagetisch der Säge ist, sollte das Material auf der gesamten Länge außerhalb des Auflagetisches und auf derselben Höhe abgestützt werden, um es waagrecht zu halten.** Korrekte Werkstückabstützung trägt zur Vermeidung von Sägeblattklemmen und möglichem Rückschlag bei, die zu schweren Verletzungen führen können. Verlassen Sie sich nicht nur auf die Vertikal- und/oder Horizontalschraubzwinde zur Sicherung des Werkstücks. Dünnes Material neigt zum Durchhängen. Stützen Sie das Werkstück auf seiner gesamten Länge ab, um Klemmen des Sägeblatts und möglichen RÜCKSCHLAG zu vermeiden. (Abb. 34)

Einstellung der Gehrungsanschläge (SCHIEBEANSCHLÄGE als oberer und unterer Anschlag)

WARNUNG:

- Vergewissern Sie sich vor der Benutzung der Maschine, dass der obere und untere Anschlag einwandfrei gesichert sind.
- **Vergewissern Sie sich vor der Ausführung von Gehrungsschnitten, dass kein Teil des Werkzeugs, besonders das Sägeblatt, mit dem oberen und unteren Anschlag in Berührung kommt, wenn der Handgriff aus jeder beliebigen Position vollständig abgesenkt und angehoben und der Schlitten bis zum Anschlag gezogen oder geschoben wird.** Falls die Maschine oder Sägeblatt mit dem Anschlag in Berührung kommt, kann es zu Rückschlag oder unerwarteter Verschiebung des Materials mit daraus resultierenden schweren Verletzungen kommen.

Die unteren Anschläge können durch Lösen der Klemmschrauben nach innen und außen verschoben werden. (Abb. 35)

Ein roter Anzeigebereich erscheint, wenn die unteren Anschläge nach innen verschoben werden, und verschwindet, wenn die unteren Anschläge nach außen verschoben werden.

Die oberen Anschläge können durch Lösen der Hebel entfernt oder nach innen und außen verschoben werden. (Abb. 36)

Stellen Sie im Falle von Gehrungsschnitten die Position des unteren und oberen Anschlags so nah wie praktisch möglich an das Sägeblatt ein, um maximale Werkstückabstützung zu erhalten, und vergewissern Sie sich, dass kein Teil der Maschine, besonders das Sägeblatt, mit dem unteren und oberen Anschlag in Berührung kommt, wenn der Handgriff aus jeder beliebigen Position vollständig abgesenkt und angehoben und der Schlitten an der Tiefstposition bis zum Anschlag gezogen oder geschoben wird. (Abb. 37)

Führen Sie vor Schneidarbeiten einen Probelauf mit ausgeschalteter und vom Stromnetz getrennter Säge durch, und überprüfen Sie den Abstand zwischen den Anschlängen und den beweglichen Teilen.

Sichern Sie die unteren Anschläge vor Schneidarbeiten durch Anziehen der Klemmschrauben und die oberen Anschläge durch Anziehen der Hebel.

Vergessen Sie nach Abschluss von Gehrungsschnittarbeiten nicht, die oberen Anschläge wieder auf die Ausgangsstellung zurückzustellen und zu sichern.

Vertikal-Schraubstock (Abb. 38)

Der Vertikal-Schraubstock kann entweder auf der linken oder rechten Seite des Auflagetisches montiert werden. Führen Sie den Stehbolzen in das Loch der Grundplatte ein.

Stellen Sie den Schraubstockarm auf die Abmessungen des Werkstücks ein, und sichern Sie ihn durch Anziehen der Schraube. Falls die Befestigungsschraube des Schraubstockarms mit dem Schlitten in Berührung kommt, installieren Sie die Schraube auf der entgegengesetzten Seite des Schraubstockarms. Vergewissern Sie sich, dass kein Teil der Maschine mit dem Schraubstock in Berührung kommt, wenn der Handgriff ganz abgesenkt und der Schlitten bis zum Anschlag gezogen oder geschoben wird. Falls irgendwelche Teile mit dem Schraubstock in Berührung kommen, ist des Schraubstock zu versetzen.

Drücken Sie das Werkstück flach gegen Gehrungsanschlag und Drehteller. Bringen Sie das Werkstück in die gewünschte Schnittposition, und sichern Sie es einwandfrei durch Anziehen des Schraubstockknopfes.

Durch Linksdrehen des Schraubstockknopfes auf 90° lässt sich dieser auf und ab bewegen, um schnelles Einlegen des Werkstücks zu erleichtern. Um das Werkstück nach dem Einlegen zu sichern, drehen Sie den Schraubstockknopf im Uhrzeigersinn.

WARNUNG:

- **Das Werkstück muss bei allen Operationen mit der Schraubzwinde fest gegen Drehteller und Gehrungsanschlag gesichert werden.** Wird das Werkstück nicht einwandfrei am Anschlag gesichert, kann sich das Material während des Schneidbetriebs verschieben und eine mögliche Beschädigung des Sägeblatts verursachen, was zu Herausschleudern des Materials und Verlust der Kontrolle mit daraus resultierenden schweren Verletzungen führen kann.

Horizontal-Schraubstock (Sonderzubehör) (Abb. 39 und 40)

Der Horizontal-Schraubstock kann entweder auf der linken oder rechten Seite des Auflagetisches montiert werden.

Wenn Gehrungsschnitte in einem Winkel von 15° oder mehr ausgeführt werden, ist der Horizontal-Schraubstock auf der entgegengesetzten Seite der Drehteller-Drehrichtung zu montieren.

Durch Umlagen der Schraubstockmutter im Gegenuhrzeigersinn wird der Schraubstock gelöst, so dass er sich schnell hin und her schieben lässt. Zum Einspannen des Werkstücks schieben Sie den Schraubstockknopf nach vorn, bis die Schraubstockplatte das Werkstück berührt, und legen Sie dann die Schraubstockmutter nach rechts um. Drehen Sie dann den Schraubstockknopf im Uhrzeigersinn, um das Werkstück zu sichern.

Werkstücke von maximal 215 mm Breite können mit dem Horizontal-Schraubstock eingespannt werden.

WARNUNG:

- **Drehen Sie die Schraubstockmutter stets im Uhrzeigersinn, bis das Werkstück einwandfrei gesichert ist.** Wird das Werkstück nicht einwandfrei gesichert, kann sich das Material während des Schneidbetriebs verschieben und eine mögliche Beschädigung des Sägeblatts verursachen, was zu Herausschleudern des Materials und Verlust der Kontrolle mit daraus resultierenden schweren Verletzungen führen kann.
- Wenn Sie dünne Werkstücke, wie z. B. Fußleisten, gegen den Anschlag abschneiden, verwenden Sie stets den Horizontal-Schraubstock.

Auflagebügel (Sonderzubehör) (Abb. 41)

Die Auflagebügel können zur zusätzlichen horizontalen Abstützung von Werkstücken auf beiden Seiten montiert werden. Schieben Sie die Bügelstangen in die Öffnungen der Grundplatte ein, und stellen Sie ihre Länge entsprechend der Größe des abzustützenden Werkstücks ein. Sichern Sie dann die Bügel mit den Schrauben.

WARNUNG:

- **Stützen Sie ein langes Werkstück stets so ab, dass es waagrecht zur Oberseite des Drehtellers liegt, um akkurate Schnitte auszuführen und gefährlichen Verlust der Kontrolle über die Maschine zu verhüten.** Korrekte Werkstückabstützung trägt zur Vermeidung von Sägeblattklemmen und möglichem Rückschlag bei, was zu schweren Verletzungen führen kann.

BETRIEB

BEMERKUNG:

- Lösen Sie den Handgriff vor der Benutzung unbedingt aus der Tiefstellung, indem Sie den Anschlagstift herausziehen.
- Üben Sie beim Schneiden keinen übermäßigen Druck auf den Handgriff aus. Zu starker Druck kann zu Überlastung des Motors und/oder verminderter Schnittleistung führen. Drücken Sie den Handgriff nur mit soviel Kraft nieder, wie für reibungslosen Sägebetrieb notwendig ist, ohne einen beträchtlichen Abfall der Sägeblattdrehzahl zu verursachen.
- Drücken Sie den Handgriff zur Ausführung des Schnitts sachte nieder. Bei zu großer oder seitlicher Kraftausübung kann das Sägeblatt in Schwingung versetzt werden, wodurch zusätzliche Sägespuren im Werkstück erzeugt werden und die Schnittgenauigkeit beeinträchtigt wird.
- Beim Schneiden mit Schubbewegung den Sägekopf mit gemäßigem Vorschubdruck ohne Unterbrechung des Sägevorgangs durch das Material führen. Bei Unterbrechung des Sägevorgangs wird die Schnittgenauigkeit beeinträchtigt und Sägespuren können am Werkstück verbleiben.

WARNUNG:

- **Vergewissern Sie sich vor dem Einschalten der Maschine, dass das Sägeblatt nicht das Werkstück usw. berührt.** Wird die Maschine eingeschaltet, während das Sägeblatt mit dem Werkstück in Berührung ist, kann es zu Rückschlag mit daraus resultierenden schweren Verletzungen kommen.

1. Kappschnitt (Schneiden kleiner Werkstücke) (Abb. 42)

Werkstücke bis 68 mm Höhe und 160 mm Breite können wie nachfolgend beschrieben geschnitten werden:

Nachdem Sie den Anschlaghebel im Uhrzeigersinn gedreht und den Schlitten auf die gewünschte Position geschoben haben, schieben Sie den Schlitten vollständig auf den Gehrungsanschlag zu, ziehen Sie die Sicherungsschraube im Uhrzeigersinn fest, und ziehen Sie den Verriegelungshebel zur Vorderseite der Säge, um den Schlitten zu sichern. Sichern Sie das Werkstück korrekt mit dem richtigen Schraubstocktyp oder mit Deckenleistenanschlägen.

Sichern Sie das Werkstück mit der Schraubstock. Schalten Sie die Maschine ein, ohne dass das Sägeblatt Kontakt hat, und warten Sie, bis es seine volle Drehzahl erreicht, bevor Sie es absenken. Senken Sie dann den Handgriff zum Schneiden des Werkstücks sachte bis auf die Tiefstellung ab. Nach Beendigung des Bearbeitungsvorgangs Maschine erst abschalten, und **WARTEN, BIS DAS SÄGEBLATT VOLLSTÄNDIG ZUM STILLSTAND GEKOMMEN IST**, bevor Sie den Sägekopf anheben.

WARNUNG:

- **Ziehen Sie die Sicherungsschraube im Uhrzeigersinn sicher fest, und ziehen Sie den Arretierhebel zur Vorderseite der Säge, damit sich der Schlitten während der Arbeit nicht bewegt.** Unzureichendes Anziehen der Sicherungsschraube kann möglichen Rückschlag verursachen, der zu schweren Verletzungen führen kann.

2. Schiebeschnitt (Schneiden breiter Werkstücke) (Abb. 43 und 44)

Lösen Sie die Sicherungsschraube entgegen dem Uhrzeigersinn, und drücken Sie auch den Arretierhebel nach vorn, so dass der Schlitten ungehindert gleiten kann. Sichern Sie das Werkstück mit einem geeigneten Schraubstocktyp.

Ziehen Sie den Schlitten ganz auf sich zu. Schalten Sie die Maschine ein, ohne dass das Sägeblatt Kontakt hat, und warten Sie, bis es seine volle Drehzahl erreicht. Drücken Sie den Handgriff nach unten, und **SCHIEBEN SIE DEN SCHLITTEN AUF DEN GEHRUNGSANSCHLAG ZU UND DURCH DAS WERKSTÜCK**. Sobald der Schnitt beendet ist, schalten Sie die Maschine aus, und **WARTEN SIE, BIS DAS SÄGEBLATT ZUM VÖLLIGEN STILLSTAND GEKOMMEN IST**, bevor Sie den Sägekopf wieder ganz anheben.

WARNUNG:

- **Ziehen Sie bei jeder Durchführung eines Schiebeschnitts zuerst den Schlitten ganz auf sich zu, und drücken Sie den Handgriff ganz nach unten, bevor Sie den Schlitten auf den Gehrungsanschlag zu schieben. Starten Sie den Schnitt niemals, ohne den Schlitten ganz auf sich zu gezogen zu haben.** Wenn Sie den Schiebeschnitt durchführen, ohne den Schlitten ganz auf sich zu gezogen zu haben, kann ein unerwarteter Rückschlag auftreten, der zu schweren Verletzungen führen kann.
- **Versuchen Sie niemals, einen Schiebeschnitt durchzuführen, indem Sie den Schlitten auf sich zu ziehen.** Wenn Sie den Schlitten während des Schneidbetriebs auf sich zu ziehen, kann ein unerwarteter Rückschlag verursacht werden, der zu schweren Verletzungen führen kann.
- Führen Sie niemals einen Schiebeschnitt aus, wenn der Handgriff in der Tiefstellung verriegelt ist.

- **Lösen Sie niemals den Sicherungsknopf des Schlittens bei rotierendem Sägeblatt.** Ein loser Schlitten während des Schneidbetriebs kann einen unerwarteten Rückschlag verursachen, der zu schweren Verletzungen führen kann.

3. Gehrungsschnitt

Nehmen Sie auf den vorherigen Abschnitt „Einstellung des Gehrungswinkels“ Bezug.

4. Neigungsschnitt (Abb. 45)

Lösen Sie den Hebel, und neigen Sie das Sägeblatt auf den gewünschten Neigungswinkel (siehe den obigen Abschnitt „Einstellen des Neigungswinkels“). Ziehen Sie den Hebel unbedingt fest an, um den eingestellten Neigungswinkel einwandfrei zu sichern. Spannen Sie das Werkstück mit einem Schraubstock ein. Vergewissern Sie sich, dass der Schlitten ganz in Richtung der Bedienungsperson zurückgezogen ist. Schalten Sie die Maschine ein, ohne dass das Sägeblatt Kontakt hat, und warten Sie, bis es seine volle Drehzahl erreicht. Senken Sie dann den Handgriff unter Druckausübung in Richtung des Sägeblatts sachte bis zur Tiefstellung ab, und **SCHIEBEN SIE DEN SCHLITTEN AUF DEN GEHRUNGSANSCHLAG ZU, UM DAS WERKSTÜCK ZU SCHNEIDEN.** Sobald der Schnitt beendet ist, schalten Sie die Maschine aus, und **WARTEN SIE, BIS DAS SÄGEBLATT ZUM VÖLLIGEN STILLSTAND GEKOMMEN IST,** bevor Sie den Sägekopf wieder ganz anheben.

WARNUNG:

- **Nachdem Sie das Sägeblatt für einen Gehrungsschnitt eingestellt haben, vergewissern Sie sich vor der Benutzung der Maschine, dass Schlitten und Sägeblatt über den gesamten Bereich des beabsichtigten Schnitts Freigang haben.** Eine Unterbrechung des Schlitten- oder Sägeblattwegs während des Schneidbetriebs kann zu einem Rückschlag mit daraus resultierenden schweren Verletzungen führen.
- **Halten Sie Ihre Hände während der Ausführung eines Gehrungsschnitts aus dem Weg des Sägeblatts.** Der Winkel des Sägeblatts kann den Bediener hinsichtlich des tatsächlichen Sägeblattwegs während des Schneidbetriebs verwirren, und Kontakt mit dem Sägeblatt kann zu schweren Verletzungen führen.
- **Heben Sie das Sägeblatt erst an, nachdem es zum völligen Stillstand gekommen ist.** Während eines Gehrungsschnitts kann das abgesägte Stück am Sägeblatt anliegen. Wird das Sägeblatt in rotierendem Zustand angehoben, kann das abgesägte Stück vom Sägeblatt herausgeschleudert werden, so dass das Material zersplittert, was zu schweren Verletzungen führen kann.

BEMERKUNG:

- Wenn Sie den Handgriff niederdrücken, üben Sie den Druck parallel zum Sägeblatt aus. Falls eine Kraft senkrecht zum Drehteller ausgeübt oder die Druckrichtung während eines Schnitts geändert wird, kann die Genauigkeit des Schnitts beeinträchtigt werden.
- Vor der Ausführung von Gehrungsschnitten kann eine Einstellung des oberen und unteren Anschlags erforderlich sein. Siehe den Abschnitt „Einstellung der Gehrungsanschläge“.

5. Compoundsschnitt

Unter Compoundsschnitt versteht man das Schneiden eines Werkstücks mit gleichzeitiger Gehrungs- und Neigungswinkeleinstellung. Die Kombinationsmöglichkeiten entnehmen Sie bitte der nachstehenden Tabelle.

Gehrungswinkel	Neigungswinkel
Links und Rechts 0° – 45°	Links und Rechts 0° – 45°

Nehmen Sie zur Durchführung von Doppelwinkelschnitten auf die Erläuterungen unter „Kappschnitt“, „Schiebeschnitt“, „Gehrungsschnitt“ und „Neigungsschnitt“ Bezug.

6. Schneiden von Decken- und Hohlleisten

Decken- und Hohlleisten können flach auf dem Drehteller liegend mit einer Kapp- und Gehrungssäge geschnitten werden.

Es gibt zwei allgemeine Deckenleistentypen und einen Hohlleistentyp: Deckenleiste mit 52/38° Wandwinkel, Deckenleiste mit 45° Wandwinkel und Hohlleiste mit 45° Wandwinkel. Siehe die Abbildungen. (Abb. 46)

Es gibt Decken- und Hohlleistenstöße, die in 90°-Innenecken ((1) und (2) in **Abb. 47 und 48**) und 90°-Außenecken ((3) und (4) in **Abb. 47 und 48**) passen.

Messen

Messen Sie die Wandlänge, und stellen Sie das Werkstück auf dem Tisch ein, um die Wandkontaktkante auf die gewünschte Länge zu schneiden. Vergewissern Sie sich stets, dass die geschnittene Werkstücklänge **auf der Rückseite des Werkstücks** der Wandlänge entspricht. Stellen Sie die Schnittlänge auf den Schnittwinkel ein. Verwenden Sie stets mehrere Stücke für Probeschnitte, um die Sägenwinkel zu überprüfen.

Wenn Sie Decken- und Hohlleisten schneiden, stellen Sie den Neigungs- und Gehrungswinkel gemäß den Angaben in Tabelle (A) ein, und legen Sie die Leisten auf die Oberseite der Grundplatte, wie in Tabelle (B) angegeben.

Im Falle eines Linksneigungsschnitts

Tabelle (A)

	Leistenposition in Abb. 47 und 48	Neigungswinkel		Gehrungswinkel	
		52/38°-Typ	45°-Typ	52/38°-Typ	45°-Typ
Für Innenecke	(1)	Links 33,9°	Links 30°	Rechts 31,6°	Rechts 35,3°
	(2)			Links 31,6°	Links 35,3°
Für Außenecke	(3)			Rechts 31,6°	Rechts 35,3°
	(4)				

Tabelle (B)

	Leistenposition in Abb. 47 und 48	Leistenkante gegen Gehrungsanschlag	Fertiges Stück
Für Innenecke	(1)	Die Deckenkontaktkante muss am Gehrungsanschlag anliegen.	Das fertige Stück befindet sich auf der linken Seite des Sägeblatts.
	(2)	Die Wandkontaktkante muss am Gehrungsanschlag anliegen.	
Für Außenecke	(3)	Die Deckenkontaktkante muss am Gehrungsanschlag anliegen.	Das fertige Stück befindet sich auf der rechten Seite des Sägeblatts.
	(4)		

Beispiel:

Schneiden einer 52/38°-Deckenleiste für Position (1) in **Abb. 47 und 48**:

- Neigungswinkel auf 33,9° LINKS einstellen und sichern.
- Gehrungswinkel auf 31,6° RECHTS einstellen und sichern.
- Die Deckenleiste mit ihrer breiten (verborgenen) Rückseite auf den Drehteller legen, so dass ihre DECKENKONTAKTKANTE am Gehrungsanschlag der Säge anliegt.
- Das zu verwendende fertige Stück befindet sich nach der Ausführung des Schnitts immer auf der LINKEN Seite des Sägeblatts.

Im Falle eines Rechtsneigungsschnitts

Tabelle (A)

	Leistenposition in Abb. 47 und 48	Neigungswinkel		Gehrungswinkel	
		52/38°-Typ	45°-Typ	52/38°-Typ	45°-Typ
Für Innenecke	(1)	Rechts 33,9°	Rechts 30°	Rechts 31,6°	Rechts 35,3°
	(2)			Links 31,6°	Links 35,3°
Für Außenecke	(3)			Rechts 31,6°	Rechts 35,3°
	(4)				

Tabelle (B)

	Leistenposition in Abb. 47 und 48	Leistenkante gegen Gehrungsanschlag	Fertiges Stück
Für Innenecke	(1)	Die Wandkontaktkante muss am Gehrungsanschlag anliegen.	Das fertige Stück befindet sich auf der rechten Seite des Sägeblatts.
	(2)	Die Deckenkontaktkante muss am Gehrungsanschlag anliegen.	
Für Außenecke	(3)	Die Wandkontaktkante muss am Gehrungsanschlag anliegen.	Das fertige Stück befindet sich auf der linken Seite des Sägeblatts.
	(4)		

Beispiel:

Schneiden einer 52/38°-Deckenleiste für Position (1) in **Abb. 47 und 48**:

- Neigungswinkel auf 33,9° RECHTS einstellen und sichern.
- Gehrungswinkel auf 31,6° RECHTS einstellen und sichern.
- Die Deckenleiste mit ihrer breiten (verborgenen) Rückseite auf den Drehteller legen, so dass ihre WANDKONTAKTKANTE am Gehrungsanschlag der Säge anliegt.
- Das zu verwendende fertige Stück befindet sich nach der Ausführung des Schnitts immer auf der RECHTEN Seite des Sägeblatts.

Deckenleistenanschlätze (Sonderzubehör) gestatten bequemes Schneiden von Deckenleisten, ohne das Sägeblatt neigen zu müssen. Montieren Sie diese auf der Grundplatte, wie in den Abbildungen gezeigt. (**Abb. 49 und 50**)

Abb. 49: Rechter 45°-Gehrungswinkel

Abb. 50: Linker 45°-Gehrungswinkel

Positionieren Sie die Deckenleiste mit ihrer WANDKONTAKTKANTE gegen den Gehrungsanschlag und mit ihrer DECKENKONTAKTKANTE gegen die Deckenleistenanschlätze, wie in der Abbildung gezeigt (**Abb. 51**). Stellen Sie die Deckenleistenanschlätze der Größe der Deckenleiste entsprechend ein. Deckenleistenanschlätze zu sichern, ziehen Sie die Schrauben fest. Nehmen Sie für den Gehrungswinkel auf die Tabelle (C) Bezug.

Tabelle (C)

	Leistenposition in Abb. 47 und 48	Gehrungswinkel	Fertiges Stück
Für Innenecke	(1)	Rechts 45°	Stück auf rechter Sägeblattseite verwenden
	(2)	Links 45°	Stück auf linker Sägeblattseite verwenden
Für Außenecke	(3)		Stück auf rechter Sägeblattseite verwenden
	(4)	Rechts 45°	Stück auf linker Sägeblattseite verwenden

7. Schneiden von Aluminium-Strangpressprofilen

Verwenden Sie zum Einspannen von Aluminium-Strangpressprofilen Distanzblöcke oder Abfallholzstücke, wie in **Abb. 52** gezeigt, um eine Verformung des Aluminiums zu vermeiden. Verwenden Sie Schneidflüssigkeit zum Schneiden von Aluminium-Strangpressprofilen, um die Ablagerung von Aluminium-Rückständen am Sägeblatt zu verhüten.

WARNUNG:

- **Versuchen Sie niemals, dicke oder runde Aluminium-Strangpressprofile zu schneiden.** Dicke oder runde Aluminium-Strangpressprofile können schwierig zu sichern sein. Sie können sich während des Schneidbetriebs lockern, was zu Verlust der Kontrolle und schweren Verletzungen führen kann.

8. Nutenschneiden (Abb. 53)

Ein Dado-Schnitt kann folgendermaßen ausgeführt werden:

Stellen Sie die untere Grenzposition des Sägeblatts mit der Einstellschraube und dem Anschlagarm ein, um die Schnitttiefe des Sägeblatts zu begrenzen. Nehmen Sie auf den obigen Abschnitt „Anschlagarm“ Bezug.

Nachdem Sie die untere Grenzposition des Sägeblatts eingestellt haben, schneiden Sie mittels Schiebeschnitt parallele Nuten über die Breite des Werkstücks, wie in der Abbildung gezeigt. Heben Sie dann das Werkstückmaterial zwischen den Nuten mit einem Stemmeisen aus.

WARNUNG:

- **Versuchen Sie nicht, derartige Schnitte mit einem breiteren Sägeblatt oder einem Dado-Sägeblatt auszuführen.** Der Versuch, einen Nutenschnitt mit einem breiteren Sägeblatt oder Dado-Sägeblatt durchzuführen, könnte zu unerwarteten Schnittergebnissen und Rückschlag führen, was schwere Verletzungen zur Folge haben könnte.

- **Stellen Sie den Anschlagarm unbedingt wieder auf die Ausgangsstellung zurück, wenn Sie andere Schnitte als Nutenschnitte ausführen.** Der Versuch, Schnitte mit dem Anschlagarm in der falschen Position durchzuführen, könnte zu unerwarteten Schnittergebnissen und Rückschlag führen, was schwere Verletzungen zur Folge haben könnte.

Tragen der Maschine

Vergewissern Sie sich, dass der Netzstecker abgezogen ist. Sichern Sie den Sägekopf in der 0°-Neigungswinkelstellung und den Drehteller in der äußersten rechten Gehrungswinkelstellung. Sichern Sie die Gleitstangen so, dass die untere Gleitstange in der Position des vollständig zum Bediener gezogenen Schlittens verriegelt ist und die oberen Gleitstangen in der Position des vollständig zum Gehrungsanschlag vorgeschobenen Schlittens verriegelt sind (siehe den Abschnitt „Gleitverriegelungseinstellung“). Senken Sie den Handgriff ganz ab, und arretieren Sie ihn in der Tiefstellung durch Einschieben des Anschlagstifts. (**Abb. 54**)

Tragen Sie die Maschine, indem Sie die Grundplatte auf beiden Seiten halten, wie in der Abbildung gezeigt. Die Maschine lässt sich bequemer tragen, wenn Auflagebügel, Staubsack usw. entfernt werden. (**Abb. 55**)

WARNUNG:

- **Der Anschlagstift ist nur zum Tragen und zur Lagerung vorgesehen und sollte keinesfalls für irgendwelche Schneidarbeiten verwendet werden.** Der Gebrauch des Anschlagstifts für Schneidarbeiten kann eine unerwartete Bewegung des Sägeblatts verursachen, die zu Rückschlag und schweren Verletzungen führen kann.

VORSICHT:

- Sichern Sie stets alle beweglichen Teile, bevor Sie die Maschine tragen. Falls Teile der Maschine sich beim Tragen bewegen oder verschieben, kann es zu Verlust der Kontrolle oder Balance kommen, was Verletzungen zur Folge haben kann.

WARTUNG

WARNUNG:

- **Denken Sie vor der Durchführung von Überprüfungen oder Wartungsarbeiten stets daran, die Maschine auszuschalten und vom Stromnetz zu trennen.** Das Versäumnis, das Werkzeug vom Stromnetz zu trennen und auszuschalten, kann versehentliches Anlaufen und schwere Verletzungen verursachen.
- **Achten Sie stets darauf, dass das Sägeblatt scharf und sauber ist, um die bestmögliche und sicherste Leistung zu erzielen.** Der Versuch, einen Schnitt mit einem stumpfen und/oder verschmutzten Sägeblatt auszuführen, kann Rückschlag verursachen und zu schweren Verletzungen führen.

BEMERKUNG:

- Verwenden Sie auf keinen Fall Benzin, Benzol, Verdünnern, Alkohol oder dergleichen. Solche Mittel können Verfärbung, Verformung oder Rissbildung verursachen.

Einstellung des Schnittwinkels

Diese Maschine wurde werkseitig sorgfältig eingestellt und justiert, doch grobe Behandlung kann die Justierung beeinträchtigen. Sollte Ihre Maschine einer Nachjustierung bedürfen, gehen Sie folgendermaßen vor:

1. Gehrungswinkel

Schieben Sie den Schlitten auf den Gehrungsanschlag zu, ziehen Sie die Sicherungsschraube im Uhrzeigersinn fest, und ziehen Sie den Arretierhebel zur Vorderseite der Säge, um den Schlitten zu sichern.

Drehen Sie den Griff, der den Drehteller sichert, entgegen dem Uhrzeigersinn. Drehen Sie dann den Drehteller, so dass der Zeiger auf 0° auf der Gehrungswinkelskala zeigt. Bewegen Sie dann den Drehteller geringfügig nach links und rechts, bis er einwandfrei in der 0°-Gehrungswinkelraste sitzt. (Lassen Sie den Drehteller unverändert, falls der Zeiger nicht auf 0° zeigt.) Lösen Sie die Sechskantschrauben, die den Gehrungsanschlag halten, mit dem Steckschlüssel.

Senken Sie den Handgriff ganz ab, und arretieren Sie ihn in der Tiefstellung durch Einschieben des Anschlagstifts. Bringen Sie die Seitenfläche des Sägeblatts mit Hilfe eines Einstellendreiecks, Anschlagwinkels usw. in den rechten Winkel mit der Fläche des Gehrungsanschlags. Ziehen Sie dann die Sechskantschrauben des Gehrungsanschlags von rechts der Reihe nach fest. **(Abb. 56)**

Vergewissern Sie sich, dass der Zeiger auf 0° auf der Gehrungswinkelskala zeigt. Falls der Zeiger nicht auf 0° zeigt, lösen Sie die Halteschraube des Zeigers, und stellen Sie den Zeiger so ein, dass er auf 0° zeigt. **(Abb. 57)**

2. Neigungswinkel

Drücken Sie den Rasthebel vollständig nach vorn, um die Rasten auszurücken.

1) 0° Neigungswinkel

Schieben Sie den Schlitten auf den Gehrungsanschlag zu, ziehen Sie die Sicherungsschraube im Uhrzeigersinn fest, und ziehen Sie den Arretierhebel zur Vorderseite der Säge, um den Schlitten zu sichern. Senken Sie den Handgriff ganz ab, und arretieren Sie ihn in der Tiefstellung durch Hineindrücken des Anschlagstifts. Lösen Sie den Hebel auf der Rückseite der Maschine. **(Abb. 58)**

Drehen Sie die Sechskantschraube auf der rechten Seite des Armhalters um zwei bis drei Umdrehungen entgegen dem Uhrzeigersinn, um das Sägeblatt nach rechts zu neigen. **(Abb. 59)**

Richten Sie die Seite des Sägeblatts mit Hilfe eines Einstellendreiecks, Anschlagwinkels usw. sorgfältig im rechten Winkel zur Oberseite des Drehtellers aus, indem Sie die Sechskantschraube auf der rechten Seite des Armhalters im Uhrzeigersinn drehen. Ziehen Sie dann den Hebel fest an. **(Abb. 60)**

Der Zeiger am Schwenkarm sind nach der korrekten Vergewissern Sie sich, dass die beiden Zeiger am Arm jeweils auf 0° der Neigungswinkelskala am Arm zeigen. Falls die Zeiger nicht auf 0° zeigen, lösen Sie die Halteschrauben der Zeiger, und stellen Sie diese so ein, dass sie auf 0° zeigen. **(Abb. 61)**

2) 45°-Neigungswinkel **(Abb. 62)**

Diese Einstellung kann erst nach erfolgter Einstellung des 0°-Neigungswinkels durchgeführt werden. Zum Einstellen des linksseitigen 45°-Neigungswinkels lösen Sie den Hebel und neigen das Sägeblatt ganz nach links. Vergewissern Sie sich, dass der Zeiger am Armhalter auf 45° der Neigungswinkelskala am Arm zeigt. Falls der Zeiger nicht auf 45° zeigt, drehen Sie die 45°-Neigungswinkel-Einstellschraube auf der Seite des Arms, bis der Zeiger auf 45° zeigt.

Zum Einstellen des rechtsseitigen 45°-Neigungswinkels wenden Sie das oben beschriebene Verfahren an.

Einstellen der Position der Laserlinie **(Abb. 63 und 64)**

Nur für Modelle LS1016L und LS1016FL

WARNUNG:

- **Da die Maschine während der Einstellung der Laserlinie am Stromnetz angeschlossen sein muss, muss besonders darauf geachtet werden, das Werkzeug nicht einzuschalten.** Versehentliches Anlaufen der Maschine kann zu schweren Verletzungen führen.

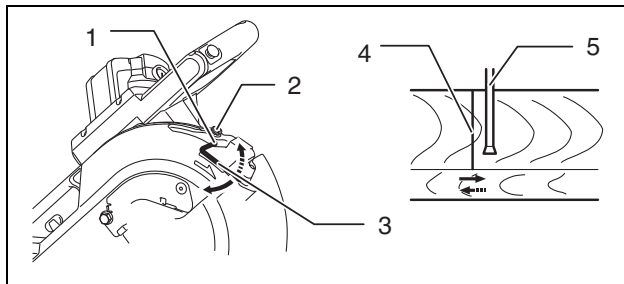
VORSICHT:

- **Blicken Sie auf keinen Fall direkt in den Laserstrahl.** Direkte Aussetzung der Augen zum Strahl kann schwere Augenschäden verursachen.
- **LASERSTRAHLUNG!**
Nicht in den Strahl blicken.

BEMERKUNG:

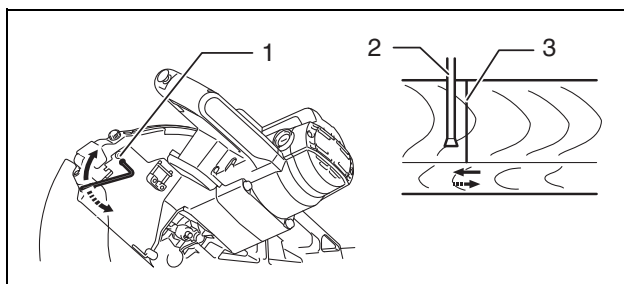
- Beachten Sie, dass Erschütterungen der Maschine eine Fehlausrichtung der Laserlinie oder eine Beschädigung des Lasers verursachen und seine Lebensdauer verkürzen können.

Einstellen der Laserlinie für die linke Seite des Sägeblatts.



- 1 Schraube zum Verstellen des Einstellschrauben-Bewegungsbereichs
- 2 Einstellschraube
- 3 Inbusschlüssel
- 4 Laserlinie
- 5 Sägeblatt

Einstellen der Laserlinie für die rechte Seite des Sägeblatts.



- 1 Einstellschraube
- 2 Sägeblatt
- 3 Laserlinie

Gehen Sie für beide Einstellungen folgendermaßen vor.

1. Vergewissern Sie sich, dass der Netzstecker abgezogen ist.
2. Zeichnen Sie die Schnittlinie auf dem Werkstück an, und legen Sie das Werkstück auf den Drehteller. Spannen Sie dabei das Werkstück nicht mit einem Schraubstock oder einer ähnlichen Klemmvorrichtung ein.
3. Senken Sie das Sägeblatt durch Niederdrücken des Handgriffs ab, um lediglich die Lage der Schnittlinie und die Position des Sägeblatts zu überprüfen. (Legen Sie die Schnittposition auf der Schnittlinie fest.)
4. Nachdem Sie die korrekte Position der Linie in Bezug auf das Sägeblatt festgelegt haben, bringen Sie den Handgriff wieder in seine Ausgangsstellung. Sichern Sie das Werkstück mit dem Vertikal-Schraubstock, ohne es aus der vorgeprüften Position zu bringen.
5. Schließen Sie die Maschine an das Stromnetz an, und schalten Sie den Laserschalter ein.
6. Stellen Sie die Position der Laserlinie wie folgt ein.

Die Position der Laserlinie kann innerhalb des Verstellbereichs der Laser-Einstellschraube verschoben werden, indem zwei Schrauben mit einem Inbusschlüssel gedreht werden. (Der Verstellbereich der Laserlinie wurde werkseitig auf 1 mm von der Seitenfläche des Sägeblatts eingestellt.)

Um den Verstellbereich der Laserlinie weiter von der Seitenfläche des Sägeblatts zu verlagern, drehen Sie die zwei Schrauben entgegen dem Uhrzeigersinn, nachdem Sie die Einstellschraube gelöst haben. Drehen Sie diese beiden Schrauben im Uhrzeigersinn, um die Laserlinie näher an die Seitenfläche des Sägeblatts heranzubringen, nachdem Sie die Einstellschraube gelöst haben.

Nehmen Sie auf den Abschnitt „Laserstrahlbenutzung“ Bezug, und stellen Sie die Einstellschraube so ein, dass sich die Schnittlinie auf Ihrem Werkstück mit der Laserlinie deckt.

HINWEIS:

- Überprüfen Sie die Genauigkeit der Laserlinienposition regelmäßig.
- Lassen Sie die Maschine von einer autorisierten Makita-Kundendienststelle reparieren, falls eine Störung der Lasereinheit vorliegt.

Reinigen der Linse für Laserlicht (Abb. 65 und 66)

Nur für Modelle LS1016L und LS1016FL

Falls die Laserlinse schmutzig wird oder Sägemehl an ihr haftet, so dass die Laserlinie schlecht erkennbar ist, trennen Sie die Säge vom Stromnetz, entfernen Sie die Laserlinse, und reinigen Sie sie sorgfältig mit einem feuchten, weichen Tuch. Verwenden Sie keine Lösungsmittel oder Reinigungsmittel auf Petroleumbasis zum Reinigen der Linse.

Um die Laserlinse zu entfernen, muss zuvor das Sägeblatt gemäß den Anweisungen im Abschnitt „Montage und Demontage des Sägeblatts“ demontiert werden.

Lösen Sie die Halteschraube der Linse mit einem Schraubenzieher, ohne sie ganz zu entfernen.

Ziehen Sie die Linse heraus, wie in der Abbildung gezeigt.

HINWEIS:

- Falls sich die Linse nicht abnehmen lässt, lösen Sie die Schraube etwas mehr, und versuchen Sie erneut, die Linse herauszuziehen, ohne die Schraube zu entfernen.

Auswechseln der Kohlebürsten (Abb. 67 und 68)

Die Kohlebürsten müssen regelmäßig entfernt und überprüft werden. Wenn sie bis zur Verschleißgrenze abgenutzt sind, müssen sie erneuert werden. Halten Sie die Kohlebürsten stets sauber, damit sie ungehindert in den Haltern gleiten können. Beide Kohlebürsten sollten gleichzeitig erneuert werden. Verwenden Sie nur identische Kohlebürsten.

Drehen Sie die Bürstenhalterkappen mit einem Schraubendreher heraus. Nehmen Sie die abgenutzten Kohlebürsten heraus, setzen Sie die neuen ein, und drehen Sie dann die Bürstenhalterkappen wieder ein.

Schalten Sie die Maschine nach dem Auswechseln der Bürsten ein, um die Bürsten bei im Leerlauf laufender Maschine etwa 10 Minuten lang einzuschleifen. Überprüfen Sie dann die Maschine im Betrieb und die Funktion der elektrischen Bremse, wenn Sie den Ein-Aus-Schalter loslassen. Falls die elektrische Bremse nicht einwandfrei funktioniert, lassen Sie die Maschine von einer Makita-Kundendienststelle reparieren.

Nach dem Gebrauch

- Wischen Sie nach dem Gebrauch an der Maschine hafende Späne und Staub mit einem Tuch oder dergleichen ab. Halten Sie die „Schutzhaube“ gemäß den Anweisungen im vorhergehenden Abschnitt „Schutzhaube“ sauber. Schmieren Sie die Gleiteile der Maschine mit Öl, um Rostbildung zu verhüten.
- Den Sägekopf zur Lagerung der Maschine nach vorne ziehen, um die Linearführungen im Drehteller zu schützen.

Um die SICHERHEIT und ZUVERLÄSSIGKEIT dieses Produkts zu gewährleisten, sollten Reparaturen und andere Wartungs- oder Einstellarbeiten nur von Makita-Vertragswerkstätten oder Makita-Kundendienstzentren unter ausschließlicher Verwendung von Makita-Originalersatzteilen ausgeführt werden.

ZUBEHÖR

WARNUNG:

- **Die folgenden Zubehörteile oder Vorrichtungen werden für den Einsatz mit der in dieser Anleitung beschriebenen Makita-Maschine empfohlen.** Der Gebrauch anderer Zubehörteile oder Vorrichtungen kann zu schweren Verletzungen führen.
- **Verwenden Sie die Makita-Zubehörteile oder -Vorrichtungen nur für ihren vorgesehenen Zweck.** Fehlgebrauch eines Zubehörteils oder einer Vorrichtung kann zu schweren Verletzungen führen.

Wenn Sie weitere Einzelheiten bezüglich dieser Zubehörteile benötigen, wenden Sie sich bitte an Ihre Makita-Kundendienststelle.

- Stahl- und hartmetallbestückte Sägeblätter

Gehrungssägeblätter	Für glattes und präzises Schneiden in verschiedenen Materialien.
Kombination	Allzweck-Sägeblatt für schnelle und reibungslose Längs-, Abläng- und Gehrungsschnitte.
Ablängschnitte	Für glattere Querfaserschnitte. Schneidet sauber gegen die Faser.
Feine Ablängschnitte	Für glatte, saubere Schnitte gegen die Faser.
Gehrungssägeblätter aus Nichteisenmetall	Für Gehrungsschnitte in Aluminium, Kupfer, Messing, Rohren und anderen Nichteisenmetallen.

- Schraubstockeinheit (Horizontal-Schraubstock)
- Vertikal-Schraubstock
- Steckschlüssel 13
- Auflagebügel
- Staubsack
- Deckenleistenanschlagsatz
- Einstelldreieck
- Staubsammelbehälter
- Inbusschlüssel (Für LS1016L und LS1016FL)

Visione generale

1 Perno di fermo	35 Fermo della'albero	67 Fermo per modanatura a corona D
2 Bullone(i) esagonale	36 Cassa della lama	(accessorio opzionale)
3 Protezione della lama	37 Freccia	68 Fermo per modanatura a corona S
4 Piano di taglio	38 Flange esterna	69 Fermo per modanatura a corona D
5 Lama	39 Flange interna	70 Modanatura a corona
6 Denti della lama	40 Mandrino	71 Morsa
7 Taglio a unghia sinistro	41 Anello	72 Blocco distanziatore
8 Taglio diritto	42 Bocchettone segatura	73 Estrusione di alluminio
9 Taglio a unghia destro	43 Sacchetto segatura	74 Scanalature di taglio con lama
10 Leva di bloccaggio	44 Chiusura	75 Squadra triangolare
11 Vite	45 Scatola polvere	76 Scala di taglio a quartabuono
12 Bullone di registro	46 Coperchio	77 Piastrina della scala di taglio a unghia
13 Base girevole	47 Bottone	78 Bullone di regolazione dell'angolo a 0°
14 Leva del fermo	48 Sezione del cilindro	79 Piastrina della scala
15 Tubo di scorrimento	49 Segatura	80 Bullone di registro angolo di taglio a unghia di 45° sinistro
16 Superficie superiore della base girevole	50 Supporto	81 Bullone di registro angolo di taglio a unghia di 45° destro
17 Periferia della lama	51 Base girevole	82 Pezzo
18 Guida pezzo	52 Viti di fissaggio	83 Linea laser
19 Vite di regolazione	53 Guida superiore	84 Morsa verticale
20 Braccio di fermo	54 Guida inferiore	85 Cacciavite
21 Impugnatura	55 Manopola morsa	86 Vite (un pezzo soltanto)
22 Camma	56 Braccio della morsa	87 Lente lampadina laser
23 Leva(e)	57 Asta della morsa	88 Segno limite
24 Leva del meccanismo di blocco	58 Piastra morsa	89 Tappo portaspazole
25 Piastrina della scala	59 Dado morsa	90 Vite di bloccaggio
26 Pulsante di sblocco	60 Supporto	91 Interruttore della luce
27 Indice	61 Modanatura a corona a 52/38°	92 Luce
28 Bottone di sblocco	62 Modanatura a corona a 45°	93 Area indicata in rosso
29 Grilletto interruttore	63 Modanatura concava a 45°	
30 Foro per lucchetto	64 Angolo interno	
31 Interruttore laser	65 Angolo esterno	
32 Chiave a bussola	66 Fermo per modanatura a corona S (accessorio opzionale)	
33 Supporto		
34 Coperchio centrale		

DATI TECNICI

Modello

LS1016/LS1016L/LS1016F/LS1016FL

Diametro lama

Modello per i Paesi extraeuropei 255 mm – 260 mm

Modello per i Paesi europei 260 mm

Diametro foro


Modello per i Paesi extraeuropei 25,4 mm

Modello per i Paesi europei 30 mm

Capacità di taglio (A x L) con lama di 260 mm di diametro max.

Angolo di taglio a quartabuono	Angolo di taglio a unghia		
	45° (sinistro)	0°	45° (destro)
0°	42 mm x 310 mm	68 mm x 310 mm	29 mm x 310 mm
	58 mm x 279 mm	91 mm x 279 mm	43 mm x 279 mm
45° (destro e sinistro)	42 mm x 218 mm	68 mm x 218 mm	29 mm x 218 mm
	58 mm x 197 mm	91 mm x 197 mm	43 mm x 197 mm
52° (destro e sinistro)	–	68 mm x 190 mm	–
	–	91 mm x 171 mm	–
60° (destro)	–	68 mm x 155 mm	–
	–	91 mm x 139 mm	–

Tipo di modanatura a corona a 45° (utilizzando il fermo per modanatura a corona)	168 mm
Piano di base (H) (utilizzando la Morsa orizzontale)	120 mm

Velocità senza carico (min ⁻¹)	3.200
Tipo laser (LS1016L, LS1016FL)	Laser rosso 650 nm, <1,6mW (Classe laser 2M)
Dimensioni (L x A x P)	718 mm x 640 mm x 671 mm
Peso netto	
Modello per i Paesi extraeuropei	
LS1016	23,6 kg
LS1016L/LS1016F	23,7 kg
LS1016FL	23,8 kg
Modello per i Paesi europei	
LS1016	24,1 kg
LS1016L/LS1016F	24,2 kg
LS1016FL	24,3 kg
Classe di sicurezza	 /II

- Per il nostro programma di ricerca e sviluppo continui, i dati tecnici sono soggetti a modifiche senza avviso.
- I dati tecnici potrebbero differire a seconda del Paese di destinazione del modello.
- Peso in base alla procedura EPTA 01/2003

Utilizzo previsto


Questo utensile serve ai tagli diritti e a quartabuono di precisione del legno. Usando le lame appropriate, si può anche tagliare l'alluminio.

Alimentazione

L'utensile deve essere collegato a una presa di corrente con la stessa tensione indicata sulla targhetta del nome, e può funzionare soltanto con la corrente alternata monofase. Esso ha un doppio isolamento conforme alle norme europee, e può perciò essere collegato alle prese di corrente sprovviste della messa a terra.

GEA010-1

Avvertimenti generali per la sicurezza dell'utensile elettrico

 **AVVERTIMENTO** Leggere tutti gli avvertimenti per la sicurezza e le istruzioni. La mancata osservanza degli avvertimenti e delle istruzioni può causare scosse elettriche, incendio e/o gravi incidenti.

Conservare tutti gli avvertimenti e le istruzioni per riferimenti futuri.

ENB034-6

REGOLE ADDIZIONALI DI SICUREZZA

1. **Portare gli occhiali di protezione.**
2. **Tenere le mani fuori dal percorso della lama. Evitare il contatto con la lama durante il moto inerziale, perché può ancora causare lesioni gravi.**
3. **Non usare la lama senza le protezioni in posizione.**
Controllare che la protezione della lama si chiuda correttamente ogni volta prima di usare l'utensile. Non usare la sega se la protezione non si muove liberamente e non si chiude istantaneamente. Mai bloccare la protezione della lama in posizione di apertura.
4. **Non eseguire alcuna operazione senza tenere saldamente l'utensile.** Il pezzo deve essere fissato saldamente contro la base girevole e la guida pezzo mediante la morsa durante tutte le operazioni. Mai tenerlo fermo con la mano.
5. **Mai avvicinare le mani alla lama in movimento.**
6. **Spegnere l'utensile e aspettare che la lama si sia fermata prima di spostare il pezzo o di cambiare le regolazioni.**
7. **Staccare il cavo di alimentazione dalla presa di corrente prima di cambiare lama o di un intervento di manutenzione.**
8. **Fissare sempre tutte le parti mobili prima di trasportare l'utensile.**
9. **Il perno di fermo che blocca giù la testa troncatrice serve al trasporto e deposito soltanto, e non per le operazioni di taglio.**
10. **Non usare l'utensile dove ci sono liquidi o gas infiammabili.** Il funzionamento elettrico dell'utensile potrebbe provocare esplosione ed incendio se esposto a liquidi o gas infiammabili.
11. **Controllare con cura che sulla lama non ci siano crepe od altri danni prima di cominciare il lavoro. Sostituire immediatamente la lama se ci sono crepe od altri danni.**
12. **Usare esclusivamente le flange specificate per questo utensile.**
13. **Fare attenzione a non danneggiare l'albero, le flange (soprattutto la superficie di installazione) o il bullone. Se queste parti sono danneggiate, la lama potrebbe rompersi.**
14. **Accertarsi che la base giravole sia fissata saldamente in modo che non si muova durante il lavoro.**
15. **Per motivi di sicurezza, rimuovere dalla superficie superiore della tavola i trucioli, pezzetti di materiale, ecc., prima di cominciare il lavoro.**
16. **Evitare di tagliare chiodi. Prima di cominciare il lavoro, controllare e togliere i chiodi dal pezzo.**
17. **Prima di accendere l'utensile, accertarsi di aver rilasciato il fermo dell'albero.**
18. **Accertarsi che la lama non faccia contatto con la base girevole nella posizione più bassa.**
19. **Tenere saldamente l'utensile per il manico. Tenere presente che esso si muove leggermente in su o in giù durante l'avviamento o l'arresto.**
20. **Accertarsi che la lama non sia a contatto con il pezzo prima di accendere l'utensile.**
21. **Prima di usare l'utensile, lasciarlo girare per qualche momento. Accertarsi che non ci siano vibrazioni o movimenti strani che potrebbero indicare il montaggio o bilanciamento imperfetto della lama.**
22. **Aspettare che la lama abbia raggiunto la velocità massima prima di cominciare a tagliare.**

23. Interrompere immediatamente il lavoro se si nota qualcosa di anormale.
24. Non cercare di bloccare l'interruttore nella posizione di accensione.
25. Stare sempre all'erta, soprattutto durante le operazioni ripetitive e monotone. Non lasciarsi mai indurre a un falso senso di sicurezza. Le lame non perdonano.
26. Usare sempre gli accessori raccomandati in questo manuale. L'uso di accessori inadatti, come le ruote abrasive, potrebbe causare lesioni.
27. Non usare l'utensile per tagliare materiali che non siano il legno, l'alluminio ed altri simili.
28. Prima di usare la sega a quartabuono, collegarla a un dispositivo di raccolta della segatura.
29. Selezionare le lame adatte al materiale da tagliare.
30. Fare attenzione quando si eseguono stozzature.
31. Sostituire il piano di taglio se usurato.
32. Non usare lame fabbricate con acciaio ad alta velocità.
33. La polvere causata dall'utilizzo contiene sostanze chimiche che possono causare il cancro, difetti di nascita od altri danni agli organi di riproduzione. Alcuni tipi di questi materiali sono:
 - piombo da pittura a base di piombo
 - arsenico e cromo da legname trattato chimicamente.
 Il rischio dall'esposizione a queste sostanze varia secondo la frequenza di questo tipo di lavoro. Per ridurre l'esposizione a queste sostanze chimiche: lavorare in un ambiente ben ventilato con l'attrezzatura di sicurezza specificata, come le maschere antipolvere progettate specialmente per il filtraggio delle particelle microscopiche.
34. Per ridurre il rumore emesso, accertarsi sempre che le lame usate siano affilate e pulite.
35. L'operatore deve essere adeguatamente addestrato all'utilizzo, regolazione e funzionamento dell'utensile.
36. Usare correttamente le lame affilate. Rispettare la velocità massima indicata sulle lame stesse.
37. Non rimuovere le parti tagliate od altre parti del pezzo dall'area di taglio mentre l'utensile sta funzionando e la testa della sega non si trova sulla posizione di riposo.
38. Usare unicamente lame consigliate dal fabbricante conformi alla EN847-1.
39. Indossare guanti adatti a maneggiare lame e oggetti ruvidi (ove possibile, le lame devono essere trasportate nell'apposita custodia).
40. Se l'utensile è dotato di laser, non è consentito scambiare quest'ultimo con un tipo di laser diverso. Le riparazioni devono essere effettuate correttamente.

CONSERVARE QUESTE ISTRUZIONI

INSTALLAZIONE

Montaggio sul banco di lavoro

Al momento della spedizione, il manico dell'utensile viene bloccata nella posizione più bassa con il perno di fermo. Liberare il perno di fermo premendo leggermente il manico verso il basso e tirando contemporaneamente il perno di fermo. (Fig. 1)

AVVERTIMENTO:

- **Controllare che l'utensile non si sposti sul piano di appoggio.** Il movimento della sega a slitta sul piano di appoggio durante il taglio potrebbe causare la perdita del controllo della medesima e provocare gravi lesioni personali.

Questo utensile deve essere fissato con quattro bulloni a una superficie piana e stabile, usando i fori per bulloni sulla base dell'utensile. Ciò aiuta a impedire il suo rovesciamento con pericolo di lesioni. (Fig. 2)

DESCRIZIONE DEL FUNZIONAMENTO

AVVERTIMENTO:

- **Accertarsi sempre che l'utensile sia spento e staccato dalla presa di corrente prima di regolare o controllare le sue funzioni.** Se l'utensile non viene spento e la spina scollegata potrebbero verificarsi gravi lesioni personali dovute ad accensione accidentale.

Protezione della lama (Fig. 3 e 4)

Quando si abbassa il manico, la protezione della lama si solleva automaticamente. La protezione torna sulla sua posizione originale quando si solleva il manico al completamento del taglio.

AVVERTIMENTO:

- **Mai rendere inutilizzabile o rimuovere la protezione lama o la molla attaccata alla protezione.** Se la lama è esposta a causa dell'inutilizzabilità della protezione potrebbero verificarsi gravi lesioni personali durante il funzionamento.

Per la propria sicurezza, mantenere sempre la protezione della lama in buone condizioni. Qualsiasi irregolarità di funzionamento della protezione della lama va corretta immediatamente. Accertarsi che la carica della molla azioni la protezione della lama.

AVVERTIMENTO:

- **Mai usare l'utensile con la protezione della lama o la molla danneggiata, difettosa o rimossa.** L'uso dell'utensile con la protezione danneggiata, rotta o rimossa potrebbe causare gravi lesioni personali.

Se la protezione trasparente della lama diventa sporca, oppure se la segatura vi rimane attaccata in modo che la lama o il pezzo non sono più visibili, staccare la sega dalla presa di corrente e pulire accuratamente la protezione con un panno bagnato. Non usare sulla protezione in plastica solventi o prodotti di pulizia a base di petrolio, poiché potrebbero danneggiarla.

Se la protezione della lama si sporca ed è necessario pulirla affinché funzioni correttamente, procedere come segue:

Spegnere l'utensile e scollegare la spina ed utilizzare la chiave a bussola in dotazione per allentare il bullone esagonale che fissa il coperchio centrale. Svitare il bullone esagonale girandolo in senso antiorario e sollevare la protezione della lama e il coperchio centrale.

Con la protezione così posizionata è possibile una pulizia più completa ed efficiente. Al completamento della pulizia, usare il procedimento opposto per fissare il bullone. Non rimuovere la molla che fissa la protezione. Se la protezione è danneggiata dall'invecchiamento o dall'esposizione alla luce ultravioletta, chiedere a un centro di assistenza Makita una nuova protezione.

NON BISOGNA RENDERE INOPERANTE O RIMUOVERE LA PROTEZIONE.

Posizionamento del piano di taglio (Fig. 5, 6 e 7)

Questo utensile è dotato di piani di taglio nella base girevole, per minimizzare la frammentazione sul lato d'uscita del taglio. I piani di taglio sono stati regolati in fabbrica in modo che la lama non faccia contatto con essi. Prima di procedere, regolare i piani di taglio come segue:

Staccare per prima cosa l'utensile dalla presa di corrente. Allentare tutte le viti (2 su ciascun lato destro e sinistro) che fissano i piani di taglio. Stringerle di nuovo soltanto in modo che i piani di taglio possano essere facilmente mossi a mano. Abbassare completamente il manico e spingere dentro il perno di fermo per bloccare il manico in posizione abbassata. Allentare in senso antiorario la vite di bloccaggio che fissa i poli di scorrimento superiori e spingere, inoltre, in avanti la leva di bloccaggio che fissa i poli di scorrimento inferiori. Tirare completamente il carrello verso di sé. Regolare i piani di taglio in modo che facciano appena contatto con i fianchi dei denti della lama. Stringere le viti anteriori (non stringerle saldamente). Spingere completamente il carrello verso la guida pezzo e regolare i piani di taglio in modo che facciano appena contatto con i fianchi dei denti della lama. Stringere le viti posteriori (non stringerle saldamente). Dopo aver regolato i piani di taglio, rilasciare il perno di fermo e sollevare il manico. Stringere poi saldamente tutte le viti.

AVVISO:

- **Dopo aver regolato l'angolo di taglio a unghia, verificare che i piani di taglio siano regolati correttamente.** La corretta regolazione dei piani di taglio contribuisce a sostenere il pezzo minimizzandone il consumo.

Preservazione della capacità massima di taglio (Fig. 8, 9 e 10)

L'utensile è stato regolato in fabbrica per la capacità massima di taglio delle lame di 260 mm.

Scollegare lo strumento dall'alimentazione elettrica prima di tentare qualsiasi regolazione.

Quando si installa una nuova lama, controllare sempre la posizione del suo limite inferiore e, se necessario, regolarla come segue:

Staccare per prima cosa il cavo di alimentazione dalla presa di corrente. Abbassare la leva del fermo per posizionare la lama della sega come indicato nella figura. Spingere completamente il carrello verso la guida pezzo e abbassare completamente l'impugnatura. Usare la chiave a bussola per girare il bullone di registro finché la periferia della lama si estende leggermente sotto la superficie superiore della base girevole sul punto in cui la faccia anteriore della guida pezzo incontra la superficie della base girevole.

Con il cavo di alimentazione staccato dalla presa di corrente, ruotare a mano la lama tenendo completamente abbassata il manico per accertarsi che la lama non faccia contatto con una qualsiasi parte della base inferiore. Regolare di nuovo leggermente se necessario.

Dopo la regolazione, riportare sempre la leva del fermo alla posizione originale ruotandola in senso antiorario.

AVVERTIMENTO:

- **Dopo aver installato una nuova lama e con la spina dell'utensile scollegata, verificare sempre che la lama non sia in contatto con alcuna parte della base inferiore quando il manico viene abbassato completamente.** Se una lama dovesse toccare la base, potrebbe causare un contraccolpo e quindi gravi lesioni personali.

Braccio di fermo (Fig. 11)

La posizione del limite inferiore della lama può essere regolata facilmente con il braccio di fermo. Per regolarla, ruotare il braccio di fermo nella direzione della freccia, come mostrato in figura. Regolare la vite di regolazione in modo che la lama si fermi sulla posizione desiderata quando si abbassa completamente il manico.

Regolazione dell'angolo di taglio a quartabuono (Fig. 12)

Spingere l'impugnatura in modo da far ingranare le camme e ruotarla in senso orario finché si arresta. Far ruotare la base girevole tenendo premuta al tempo stesso la leva di bloccaggio. Quando l'impugnatura è stata spostata sulla posizione in cui l'indice punta sull'angolo desiderato nella scala di taglio a quartabuono, ruotare la manopola a 90° in senso antiorario per bloccare la base girevole.

ATTENZIONE:

- Dopo aver cambiato l'angolo di taglio a quartabuono, fissare sempre la base girevole ruotando la maniglia a 90° in senso antiorario.

AVVISO:

- Girando la base girevole, sollevare completamente il manico.

Regolazione dell'angolo di taglio a unghia (Fig. 13, 14 e 15)

Per regolare l'angolo di taglio a unghia, allentare la leva sulla parte posteriore dell'utensile girandola in senso antiorario. Spingere completamente in avanti la leva del meccanismo di blocco, come mostrato nella illustrazione, supportando allo stesso tempo la testa della sega in modo da rilasciare la pressione sul perno di blocco.

Quando si intende inclinare il carrello verso destra, inclinare il carrello leggermente verso sinistra dopo aver allentato la leva, quindi premere il pulsante di sblocco. Tenendo premuto il pulsante di sblocco, inclinare il carrello verso destra.

Inclinare la lama finché l'indice indica l'angolo desiderato sulla scala di taglio a unghia. Stringere poi saldamente la leva girandola verso di s orario per fissare il braccio.

Quando la leva del meccanismo di blocco viene tirata verso la parte anteriore della sega, la lama può essere bloccata usando i fine corsa meccanici a 22,5° e 33,9° di angolazione a destra e sinistra sul piano della base.

Quando la leva del meccanismo di blocco è spinta verso la parte posteriore della sega come indicato nella figura, la lama della sega può essere bloccata su un'angolazione qualsiasi all'interno dell'intervallo dell'angolo di taglio a unghia specificato.

ATTENZIONE:

- Dopo aver cambiato l'angolo di taglio a unghia, fissare sempre il braccio stringendo la leva in senso orario.

AVVISO:

- Quando si inclina la lama della sega, controllare che il manico sia rialzato completamente.
- Per cambiare gli angoli di taglio a unghia, posizionare correttamente i piani di taglio come descritto nella sezione "Posizionamento del piano di taglio".

Regolazione del blocco di scorrimento (Fig. 16)

Per bloccare il polo di scorrimento inferiore, tirare la leva di bloccaggio verso la parte anteriore della sega.

Per bloccare il polo di scorrimento superiore, ruotare la vite di blocco in senso orario.

Azionamento dell'interruttore

Modello per i Paesi europei (Fig. 17)

Per evitare di schiacciare accidentalmente il grilletto dell'interruttore, l'utensile è dotato di un bottone di sblocco. Per avviarlo, spingere la leva a sinistra, premere il bottone di sblocco e schiacciare poi l'interruttore. Rilasciare il grilletto dell'interruttore per fermarlo.

AVVERTIMENTO:

- **Prima di collegare il cavo di alimentazione alla presa di corrente, controllare sempre che il grilletto dell'interruttore funzioni correttamente e che torni sulla posizione "OFF" quando viene rilasciato. Non schiacciare con forza il grilletto dell'interruttore senza premere dentro il bottone di sblocco. Ciò potrebbe causare la rottura dell'interruttore.** L'uso dell'utensile con un interruttore che non funziona correttamente potrebbe causare perdita di controllo e gravi lesioni personali.

È presente un foro nel grilletto interruttore per l'inserimento di un lucchetto, in modo da bloccare lo strumento in condizione di spegnimento.

Modello per i Paesi extraeuropei (Fig. 18)

Per evitare di schiacciare accidentalmente il grilletto dell'interruttore, l'utensile è dotato di un bottone di sblocco. Per avviare l'utensile, premere dentro il bottone di sblocco e schiacciare l'interruttore. Rilasciare il grilletto dell'interruttore per fermarlo.

AVVERTIMENTO:

- **Prima di collegare il cavo di alimentazione alla presa di corrente, controllare sempre che il grilletto dell'interruttore funzioni correttamente e che torni sulla posizione "OFF" quando viene rilasciato. Non schiacciare con forza il grilletto dell'interruttore senza premere dentro il bottone di sblocco. Ciò potrebbe causare la rottura dell'interruttore.** L'uso dell'utensile con un interruttore che non chiude correttamente potrebbe causare perdita di controllo e gravi lesioni personali.

È presente un foro nel grilletto interruttore per l'inserimento di un lucchetto, in modo da bloccare lo strumento in condizione di spegnimento.

AVVERTIMENTO:

- **Non utilizzare un lucchetto con diametro del gambo o del cavo inferiore a 6,35 mm.** Un gambo o cavo più piccolo potrebbe non bloccare correttamente l'utensile nella posizione di spento e il funzionamento accidentale potrebbe provocare gravi lesioni personali.
- **MAI usare l'utensile quando il grilletto dell'interruttore non è completamente funzionale.** Qualsiasi utensile con l'interruttore guasto è MOLTO PERICOLOSO e deve essere riparato prima di poter continuare ad usare l'utensile, diversamente potrebbe provocare gravi lesioni personali.
- Per la sicurezza dell'operatore, l'utensile è dotato di un bottone di sblocco che ne impedisce l'avvio accidentale. MAI usare l'utensile se esso si avvia quando si schiaccia semplicemente il grilletto dell'interruttore senza premere il bottone di sblocco. Un interruttore da riparare potrebbe causare funzionamento accidentale e quindi gravi lesioni personali. Portare l'utensile al centro di assistenza Makita per la riparazione prima di continuare a usarlo.

- MAI rendere inutile il bottone di sblocco fissandolo con del nastro adesivo o in altro modo. Un interruttore il cui bottone di sblocco è stato reso inutile potrebbe causare funzionamento accidentale e gravi lesioni personali.

Accensione della lampada (Fig. 19)

Modelli LS1016F e LS1016FL soltanto

ATTENZIONE:

- Questa lampada non è impermeabile. Non lavarla con acqua e non usarla sotto la pioggia o in luoghi bagnati. Ciò potrebbe causare scosse elettriche e fumo.
- Non toccare il vetro della lampada, perché è molto calda quando è accesa o subito dopo che viene spenta. Ciò potrebbe causare bruciature.
- Evitare gli urti alla lampada, perché potrebbero danneggiarla o accorciarne la vita di servizio.
- Evitare di guardare il fascio di luce della lampada, perché potrebbe far male agli occhi.
- Non coprire la lampada con panni, carte, cartoni od altri oggetti simili quando è accesa, perché potrebbero infiammarsi causando un incendio.

Per accendere la luce, premere la parte superiore (I) dell'interruttore. Per spegnere la luce, premere la parte inferiore (O) dell'interruttore.

Spostare la lampada per cambiare l'area illuminata.

NOTA:

- Per togliere lo sporco dal vetro della lampada, usare un panno asciutto. Fare attenzione a non graffiare il vetro, perché ciò potrebbe ridurre l'illuminazione.

Funzione elettronica

Controllo della velocità costante

- L'utensile è dotato di un controllo elettronico della velocità che contribuisce a mantenere costante la velocità di rotazione della lama anche sotto carico. Una velocità costante di rotazione della lama permette un taglio molto regolare.

Funzione di avvio morbido

- Questa funzione permette l'avviamento uniforme dell'utensile limitando la coppia di avviamento.

Utilizzo del raggio laser

Modelli LS1016L e LS1016FL soltanto

ATTENZIONE:

- Mai guardare direttamente il raggio laser. Il raggio laser può danneggiare gli occhi.
- **RADIAZIONE LASER. NON FISSARE IL RAGGIO O GUARDARLO DIRETTAMENTE CON STRUMENTI OTTICI. PRODOTTO LASER DI CLASSE 2M.**

Per accendere il raggio laser, premere la parte superiore (I) dell'interruttore. Per spegnere il raggio laser, premere la parte inferiore (O) dell'interruttore. (Fig. 20)

La linea laser può essere spostata a destra o a sinistra della lama regolando la vite di regolazione come segue. (Fig. 21)

1. Allentare la vite di regolazione girandola in senso antiorario.
2. Con la vite di regolazione allentata, spingerla completamente a destra o a sinistra.
3. Stringere saldamente la vite di regolazione sulla posizione dove smette di scorrere.

La linea laser è stata regolata in fabbrica in modo da essere posizionata entro 1 mm dalla superficie laterale della lama (posizione di taglio).

NOTA:

- Se la linea laser è fioca o appena visibile a causa della luce solare diretta, spostare l'area di lavoro in una posizione meno esposta alla luce solare diretta.

Allineamento della linea laser (Fig. 22)

La linea laser può essere spostata a destra o a sinistra della lama secondo le applicazioni di taglio. Per il modo di spostarla, riferirsi alla spiegazione "Utilizzo del raggio laser".

NOTA:

- Usare uno spessore di legno contro la guida pezzo per allineare la linea di taglio con la linea laser sul lato della guida pezzo nei tagli composti (angolo di taglio a unghia di 45 gradi e angolo di taglio obliquo destro di 45 gradi).
 - A) Per ottenere le dimensioni corrette sul lato sinistro del pezzo
 - Spostare la linea laser a sinistra della lama.
 - B) Per ottenere le dimensioni corrette sul lato destro del pezzo
 - Spostare la linea laser a destra della lama.

Allineare la linea di taglio sul pezzo con la linea laser.

MONTAGGIO**AVVERTIMENTO:**

- **Accertarsi sempre che l'utensile sia spento e staccato dalla presa di corrente prima di operare su di esso.** Se l'utensile non viene spento e la spina non scollegata, potrebbero verificarsi gravi lesioni personali.

Supporto chiave a bussola (Fig. 23)

La chiave a bussola si trova dove indicato nella figura.

Quando serve la chiave a bussola, tirarla fuori dal relativo supporto.

Dopo aver usato la chiave a bussola, rimetterla a posto nel relativo supporto.

Installazione o rimozione della lama**AVVERTIMENTO:**

- **Accertarsi sempre che l'utensile sia spento e staccato dalla presa di corrente prima di installare o rimuovere la lama.** L'avviamento accidentale dell'utensile potrebbe causare gravi lesioni personali.
- **Per installare o rimuovere la lama, usare soltanto la chiave a bussola Makita in dotazione.** Se non viene utilizzata la chiave a bussola, il bullone esagonale potrebbe venire serrato troppo o troppo poco e provocare gravi lesioni personali.

Bloccare il manico in posizione sollevata spingendo dentro il perno di fermo. (Fig. 24)

Per rimuovere la lama, usare la chiave a bussola per allentare il bullone che fissa il coperchio centrale girandolo in senso antiorario. Sollevare la protezione della lama e il coperchio centrale. (Fig. 25)

Premere il fermo dell'albero per bloccare il mandrino, e usare la chiave a bussola per allentare il bullone esagonale in senso orario. Rimuovere poi il bullone esagonale, la flangia esterna e la lama. (Fig. 26)

NOTA:

- Quando si rimuove la flangia interna, fare attenzione a installarla sul mandrino con la sua sporgenza rivolta nella direzione opposta alla lama. Se la flangia è installata in modo errato, striscerà contro l'utensile.

AVVERTIMENTO:

- **Prima di montare la lama sul mandrino, verificare sempre che fra la flangia interna e quella esterna sia installato l'anello corretto per il foro dell'albero della lama che si intende utilizzare.** Se si utilizza un anello per il foro dell'albero errato, la lama viene montata scorrettamente e i conseguenti movimenti provocano forti vibrazioni che potrebbero causare perdita di controllo dell'utensile durante il funzionamento e gravi lesioni personali.

Per installare la lama, montarla con cura sul mandrino accertandosi che la freccia sulla superficie della lama sia puntata nella stessa direzione di quella sulla cassa della lama.

Installare la flangia esterna e il bullone esagonale, e usare poi la chiave a bussola per stringere saldamente in senso antiorario il bullone esagonale (sinistrorso) premendo allo stesso tempo il fermo dell'albero. (Fig. 27 e 28)

Rimettere la protezione della lama e il coperchio centrale sulle loro posizioni originali. Stringere poi in senso orario il bullone esagonale per fissare il coperchio centrale. Rilasciare il manico dalla posizione sollevata tirando il perno di fermo. Abbassare l'impugnatura per accertarsi che la protezione della lama si muova correttamente. Prima di eseguire un taglio, accertarsi che il fermo dell'albero abbia rilasciato il mandrino. (Fig. 29)

Sacchetto segatura (Fig. 30)

L'impiego del sacchetto segatura rende più pulite le operazioni di taglio e rende più facile la raccolta della segatura. Per montare il sacchetto segatura, inserirlo sul bocchettone segatura.

Quando il sacchetto segatura è quasi pieno a metà, rimuoverlo dall'utensile e tirar fuori la chiusura. Svuotare il sacchetto segatura dandogli dei leggeri colpetti, in modo da rimuovere le particelle attaccate all'interno che potrebbero ostacolare la raccolta ulteriore della segatura.

NOTA:

- Collegando un aspiratore alla sega, si possono eseguire operazioni più e pulite.

Scatola polvere (accessorio opzionale) (Fig. 31, 32 e 33)

Inserire la scatola polvere nel bocchettone segatura.

Quando necessario, svuotare la scatola della polvere.

Per svuotare la scatola della polvere, aprire il coperchio spingendo il bottone e buttare via la polvere. Rimontare il coperchio nella posizione originale e bloccarlo in posizione. La scatola polvere può essere facilmente rimossa girandola vicino al bocchettone segatura sull'utensile.

NOTA:

- Collegando a questo utensile un aspirapolvere Makita, si possono eseguire operazioni più pulite.

AVVISO:

- Svuotare la scatola polvere prima che il livello della polvere raccolta arrivi alla sezione del cilindro.

Fissaggio del pezzo**AVVERTIMENTO:**

- **È estremamente importante fissare sempre correttamente il pezzo utilizzando una morsa di tipo adatto o fermi per modanatura a corona.** Diversamente potrebbero verificarsi gravi lesioni personali e danneggiamento dell'utensile e/o del pezzo.

- **Dopo un'operazione di taglio, non sollevare la lama finché non si è arrestata completamente.** Se viene sollevata la lama in moto inerziale, potrebbero verificarsi gravi lesioni personali e danneggiamento del pezzo.
- **Quando si taglia un pezzo che è più lungo della base di supporto della sega, il pezzo dovrebbe essere sostenuto per tutta la lunghezza che sporge dalla base di supporto e mantenuto alla stessa altezza in modo che sia in piano.** Sostenere correttamente il pezzo contribuisce ad evitare che la lama rimanga incastrata e possibili contraccolpi che potrebbero provocare gravi lesioni personali. Per fissare il pezzo, non fare affidamento soltanto sulla base verticale e/o orizzontale. I pezzi sottili tendono a incurvarsi. Supportare il pezzo per l'intera sua lunghezza per evitare che la lama rimanga incastrata, e possibili CONTRACCOLPI. (Fig. 34)

Regolazione guida pezzo (SCORRIMENTO DELLA GUIDA inferiore e superiore)

AVVERTIMENTO:

- Prima di utilizzare l'utensile, verificare che le guide inferiori e superiori siano fissate saldamente.
- **Prima di effettuare il taglio a unghia, verificare che nessuna parte dell'utensile, in particolare la lama, tocchi le guide inferiori e superiori abbassando e alzando completamente il manico in qualsiasi posizione e spostando il carrello per tutta la sua corsa.** Se l'utensile o la lama dovesse toccare la guida, potrebbe verificarsi un contraccolpo o un movimento inatteso del pezzo e quindi gravi lesioni personali.

Le guide inferiori possono essere spostate in dentro e in fuori allentando le viti di fissaggio. (Fig. 35)
Spostando le guide inferiori in dentro appare un'area indicata in rosso che sparisce quando sono spostate in fuori.

È possibile rimuovere o spostare in dentro e in fuori le guide superiori allentando le leve. (Fig. 36)

Se si effettua il taglio a unghia, regolare le posizioni delle guide superiori e inferiori il più vicino possibile alla lama al fine di fornire il maggiore supporto al pezzo e verificare che nessuna parte dell'utensile, in particolare la lama, tocchi le guide inferiori e superiori abbassando e alzando completamente il manico in qualsiasi posizione e tirando o spingendo il carrello completamente nella sua posizione più bassa. (Fig. 37)

Prima di eseguire un taglio, effettuare un passaggio di prova con la sega spenta e la presa scollegata, quindi controllare lo spazio fra le guide e le parti in movimento. Prima di eseguire un taglio, fissare saldamente le guide inferiori serrando le viti di fissaggio e le guide superiori serrando le leve.

Quando il taglio a unghia è terminato, non dimenticare di riportare le guide superiori nella posizione originale.

Morsa verticale (Fig. 38)

La morsa verticale può essere installata in due posizioni, sul lato sinistro o sul lato destro della base. Inserire l'asta della morsa nel foro della base.

Posizionare il braccio della morsa secondo lo spessore e la forma del pezzo, e fissare il braccio stringendo la vite. Qualora la vite per fissare il braccio della morsa tocchi il carrello, installare la vite sul lato opposto del braccio della morsa. Accertarsi che nessuna parte dell'utensile faccia contatto con la morsa quando si abbassa completamente il manico o si spinge completamente il carrello.

Se una parte dovesse fare contatto con la morsa, riposizionare la morsa.

Premere il pezzo a filo contro la guida pezzo e la base girevole. Posizionare il pezzo sulla posizione di taglio desiderata e fissarlo saldamente stringendo la manopola della morsa.

Ruotando la manopola morsa a 90° in senso antiorario è possibile spostare verso l'alto o verso il basso la manopola stessa, per una rapida sistemazione del pezzo. Per fissare il pezzo dopo averlo sistemato, ruotare la manopola morsa in senso orario.

AVVERTIMENTO:

- **Il pezzo deve essere fissato saldamente contro la base girevole e la guida pezzo con la morsa durante tutte le operazioni.** Se il pezzo non è correttamente fissato contro la guida, potrebbe muoversi durante il taglio e provocare danni alla lama, quindi si potrebbe perdere il controllo del pezzo con il lancio dello stesso e conseguenti gravi lesioni personali.

Morsa orizzontale (accessorio opzionale) (Fig. 39 e 40)

La morsa orizzontale può essere installata in due posizioni, su entrambi i lati destro o sinistro della base.

Per eseguire tagli a quartabuono di 15° o maggiori, installare la morsa orizzontale sul lato opposto alla direzione in cui girare la base girevole.

Spostando il dado morsa in senso antiorario, si rilascia la morsa che può essere spostata rapidamente dentro e fuori. Per serrare il pezzo, spingere avanti la manopola morsa finché la piastra morsa fa contatto con il pezzo e spostare il dado morsa in senso orario. Girare poi la manopola morsa in senso orario per fissare il pezzo.

La larghezza massima del pezzo che può essere fissato alla morsa orizzontale è di 215 mm.

AVVERTIMENTO:

- **Girare sempre in senso orario il dado morsa finché il pezzo è fissato saldamente.** Se il pezzo non è correttamente fissato potrebbe muoversi durante il taglio e provocare danni alla lama, quindi si potrebbe perdere il controllo del pezzo con il lancio dello stesso e conseguenti gravi lesioni personali.
- Quando si intende eseguire dei tagli su un pezzo sottile, ad esempio delle tavole di base, appoggiandolo alla guida, utilizzare sempre la morsa orizzontale.

Supporti (accessorio opzionale) (Fig. 41)

I supporti possono essere installati su entrambi i lati, come comodo mezzo per supportare orizzontalmente i pezzi. Inserire le aste dei supporti nei fori della base e regolarne la lunghezza secondo il pezzo da supportare. Stringere poi saldamente i supporti con le viti.

AVVERTIMENTO:

- **Sostenere sempre i pezzi lunghi in modo che siano paralleli alla superficie superiore della base girevole per tagliare con precisione ed evitare di perdere pericolosamente il controllo dell'utensile.** Sostenere correttamente il pezzo contribuisce ad evitare che la lama rimanga incastrata e possibile contraccolpo che potrebbe provocare gravi lesioni personali.

FUNZIONAMENTO

AVVISO:

- Accertarsi che l'utensile non faccia contatto con il pezzo, ecc., prima di accenderlo.

- Non esercitare una pressione eccessiva sull'impugnatura durante il taglio. La forza eccessiva potrebbe causare un sovraccarico del motore e/o ridurre l'efficienza di taglio. Spingere giù l'impugnatura con la sola forza necessaria per un taglio scorrevole senza notevole riduzione della velocità della lama.
- Premere giù delicatamente l'impugnatura per eseguire il taglio. Se si preme giù l'impugnatura con forza, o se si esercita una pressione laterale, la lama vibra e lascia un segno (segno della lama) sul pezzo, e la precisione del taglio viene compromessa.
- Durante il taglio mobile, spingere delicatamente il carrello verso la guida pezzo senza arrestarsi. Se si arresta il movimento del carrello durante il taglio, sul pezzo da lavorare rimane un segno e la precisione del taglio viene compromessa.

AVVERTIMENTO:

- **Prima dell'uso, rilasciare l'impugnatura dalla posizione abbassata tirando il perno di fermo.** L'accensione dell'utensile con la lama in contatto con il pezzo potrebbe causare contraccolpo e gravi lesioni personali.

1. Taglio con pressione (per tagliare i piccoli pezzi da lavorare) (Fig. 42)

Si possono tagliare i pezzi da lavorare di un massimo di 68mm di altezza e di 160mm di larghezza nel modo seguente.

Dopo aver ruotato in senso orario la leva del fermo e aver fatto scorrere il carrello nella posizione desiderata, spingere completamente il carrello verso la guida pezzo e serrare la vite di fissaggio in senso orario, quindi tirare la leva di blocco verso la parte anteriore della sega per fissare il carrello. Fissare correttamente il pezzo utilizzando una morsa di tipo adatto o fermi per modanatura a corona.

Accendere l'utensile senza che la lama faccia contatto con il pezzo, e aspettare finché raggiunge la velocità massima prima di abbassarla. Abbassare poi delicatamente il manico sulla posizione completamente abbassata per tagliare il pezzo. Alla fine del taglio, spegnere l'utensile e ASPETTARE CHE LA LAMA SI FERMI COMPLETAMENTE prima di rimetterla sulla posizione completamente in alto.

AVVERTIMENTO:

- **Serrare saldamente in senso orario la vite di fissaggio e tirare la leva di bloccaggio verso la parte anteriore della sega in modo che il carrello non si muova durante il funzionamento.** Se la vite di fissaggio non è serrata abbastanza, potrebbe verificarsi un contraccolpo e quindi gravi lesioni personali.

2. Taglio con scorrimento (spinta) (taglio dei pezzi larghi) (Fig. 43 e 44)

Allentare la vite di fissaggio in senso antiorario, quindi spingere in avanti la leva di blocco in modo che il carrello possa scorrere liberamente. Fissare il pezzo utilizzando una morsa di tipo adatto.

Tirare completamente il carrello verso di sé. Accendere l'utensile senza che la lama faccia contatto, e aspettare finché essa raggiunge la sua velocità massima. Premere giù il manico e SPINGERE IL CARRELLO VERSO LA GUIDA PEZZO E ATTRAVERSO IL PEZZO. Al completamento del taglio, spegnere l'utensile e ASPETTARE CHE LA LAMA SI SIA FERMATA COMPLETAMENTE prima di rimetterla sulla sua posizione di elevazione massima.

AVVERTIMENTO:

- **Durante il taglio con scorrimento, innanzi tutto tirare completamente verso di sé il carrello e premere completamente verso il basso il manico, quindi spingere il carrello verso la guida pezzo. Non iniziare mai a tagliare se il carrello non è completamente tirato verso di sé.** Se si effettua il taglio con scorrimento senza aver tirato completamente verso di sé il carrello, potrebbe verificarsi un improvviso contraccolpo, provocando gravi lesioni personali.
- **Non tentare mai di effettuare un taglio con scorrimento tirando il carrello verso di sé.** Tirando il carrello verso di sé durante il taglio si potrebbe causare un improvviso contraccolpo e quindi gravi lesioni personali.
- Mai eseguire i tagli con scorrimento con il manico bloccato in posizione abbassata premendo il perno di fermo.
- **Mai allentare la manopola che fissa il carrello mentre la lama gira. Ciò potrebbe causare serie lesioni personali.** Se il carrello è libero durante il taglio, potrebbe provocare un improvviso contraccolpo e quindi gravi lesioni personali.

3. Taglio a quartabuono

Riferirsi alla sezione "Regolazione dell'angolo di taglio a quartabuono" descritta precedentemente.

4. Taglio a unghia (Fig. 45)

Allentare la leva e inclinare la lama per regolare l'angolo di taglio a unghia (Riferirsi alla sezione "Regolazione dell'angolo di taglio a unghia" descritta precedentemente). Stringere poi di nuovo saldamente la leva con una morsa. Accertarsi che il carrello sia tirato completamente indietro verso di sé. Accendere l'utensile senza che la lama faccia contatto, e aspettare che essa raggiunga la sua velocità massima. Abbassare poi delicatamente il manico completamente esercitando una pressione parallelamente alla lama, e SPINGERE IL CARRELLO VERSO LA GUIDA PEZZO PER TAGLIARE IL PEZZO. Al completamento del taglio spegnere l'utensile e ASPETTARE CHE LA LAMA SI SIA FERMATA COMPLETAMENTE prima di rimetterla sulla sua posizione di elevazione massima.

AVVERTIMENTO:

- **Dopo aver regolato la lama per un taglio a unghia, prima di utilizzare l'utensile verificare che il carrello e la lama abbiano corsa libera per tutta la lunghezza del taglio che si intende effettuare.** L'arresto del carrello o della lama nella corsa durante il taglio potrebbe causare un contraccolpo e quindi gravi lesioni personali.
- **Quando si effettua un taglio a unghia, tenere le mani lontano dal percorso della lama.** L'angolo della lama potrebbe ingannare l'operatore per quanto riguarda l'effettiva corsa della lama durante il taglio e il contatto con la lama provocherebbe gravi lesioni personali.
- **La lama non deve essere sollevata finché non si è arrestata completamente.** Durante un taglio a unghia il materiale tagliato potrebbe appoggiarsi alla lama. Se la lama viene sollevata mentre gira, il materiale tagliato potrebbe venire lanciato in frammenti dalla lama che potrebbero provocare gravi lesioni personali.

AVVISO:

- Quando si preme giù l'impugnatura, esercitare la pressione parallelamente alla lama. Se la si esercita perpendicolarmente alla base girevole, oppure se si cambia la direzione della pressione durante il taglio, la precisione del taglio viene compromessa.
- Prima del taglio a unghia, potrebbe essere necessario regolare la guida superiore e inferiore. Fare riferimento alla sezione intitolata "Regolazione guida".

5. Taglio composto

Il taglio composto è quello in cui si esegue un taglio a unghia e un taglio a quartabuono. Il taglio composto può essere eseguito all'angolo indicato nella tabella.

Angolo di taglio a quartabuono	Angolo di taglio a unghia
Sinistro e destro 0° – 45°	Sinistro e destro 0° – 45°

Misurazioni

Misurare la lunghezza della parete e regolare il pezzo sul tavolo per tagliare il bordo di contatto con la parete alla lunghezza desiderata. Assicurarsi sempre che la lunghezza del pezzo tagliato **nella parte posteriore del pezzo** sia la stessa della lunghezza della parete. Regolare la lunghezza del taglio per l'angolo di taglio. Utilizzare sempre svariati pezzi per tagli di prova, in modo da controllare gli angoli della sega.

Quando si eseguono tagli per modanature a corona e concave, impostare l'angolo di taglio a unghia e l'angolo di taglio a quartabuono come indicato nella tabella (A), quindi posizionare le modanature sulla superficie superiore della base della sega, come indicato nella tabella (B).

Nel caso di taglio a unghia a sinistra

Tabella (A)

	Posizione di modanatura nelle Fig. 47 e 48	Angolo di taglio a unghia		Angolo di taglio a quartabuono	
		Tipo a 52/38°	Tipo a 45°	Tipo a 52/38°	Tipo a 45°
Per l'angolo interno	(1)	33,9° a sinistra	30° a sinistra	31,6° a destra	35,3° a destra
	(2)			31,6° a sinistra	35,3° a sinistra
Per l'angolo esterno	(3)			31,6° a destra	35,3° a destra
	(4)				

Tabella (B)

	Posizione di modanatura nelle Fig. 47 e 48	Bordo della modanatura appoggiato contro la guida pezzo	Pezzo finito
Per l'angolo interno	(1)	Il bordo di contatto con il soffitto deve essere appoggiato contro la guida pezzo.	Il pezzo finito si troverà sul lato sinistro della lama.
	(2)	Il bordo di contatto con la parete deve essere appoggiato contro la guida pezzo.	
Per l'angolo esterno	(3)	Il bordo di contatto con il soffitto deve essere appoggiato contro la guida pezzo.	Il pezzo finito si troverà sul lato destro della lama.
	(4)		

Esempio:

Nel caso del taglio di una modanatura di tipo a corona a 52/38° per la posizione (1) nelle **Fig. 47 e 48**:

- Inclinare e fissare l'impostazione dell'angolo di taglio a unghia su 33,9° a SINISTRA.
- Regolare e fissare l'impostazione dell'angolo di taglio a quartabuono su 31,6° a DESTRA.
- Disporre la modanatura a corona con la sua superficie posteriore ampia (nascosta) appoggiata sulla base girevole con il suo BORDO DI CONTATTO CON IL SOFFITTO appoggiato contro la guida pezzo sulla sega.
- Il pezzo finito da utilizzare si troverà sempre sul lato SINISTRO della lama dopo aver effettuato il taglio.

Per eseguire tagli composti, fare riferimento alle spiegazioni "Taglio con pressione", "Taglio con scorrimento", "Taglio a quartabuono" e "Taglio a unghia".

6. Tagli di modanature a corona e concave

È possibile eseguire tagli con modanatura a corona e concava su una sega combinata a slitta, con le modanature disposte orizzontalmente sulla base girevole.

Vi sono due tipi comuni di modanature a corona e un tipo di modanatura concava; modanatura a corona con angolo della parete a 52/38°, modanatura a corona con angolo della parete a 45° e modanatura concava con angolo della parete a 45°. Vedere le figure. (**Fig. 46**)

Vi sono commesure di modanature a corona e concave che sono fatte per adattarsi ad angoli a 90° "interni" ((1) e (2) nelle **Fig. 47 e 48**) e ad angoli a 90° "esterni" ((3) e (4) nelle **Fig. 47 e 48**).

Nel caso di taglio a unghia a destra

Tabella (A)

	Posizione di modanatura nelle Fig. 47 e 48	Angolo di taglio a unghia		Angolo di taglio a quartabuono	
		Tipo a 52/38°	Tipo a 45°	Tipo a 52/38°	Tipo a 45°
Per l'angolo interno	(1)	33,9° a destra	30° a destra	31,6° a destra	35,3° a destra
	(2)			31,6° a sinistra	35,3° a sinistra
Per l'angolo esterno	(3)			31,6° a destra	35,3° a destra
	(4)				

Tabella (B)

	Posizione di modanatura nelle Fig. 47 e 48	Bordo della modanatura appoggiato contro la guida pezzo	Pezzo finito
Per l'angolo interno	(1)	Il bordo di contatto con la parete deve essere appoggiato contro la guida pezzo.	Il pezzo finito si troverà sul lato destro della lama.
	(2)	Il bordo di contatto con il soffitto deve essere appoggiato contro la guida pezzo.	
Per l'angolo esterno	(3)	Il bordo di contatto con la parete deve essere appoggiato contro la guida pezzo.	Il pezzo finito si troverà sul lato sinistro della lama.
	(4)		

Esempio:

Nel caso del taglio di una modanatura di tipo a corona a 52/38° per la posizione (1) nelle **Fig. 47 e 48**:

- Inclinare e fissare l'impostazione dell'angolo di taglio a unghia su 33,9° a DESTRA.
- Regolare e fissare l'impostazione dell'angolo di taglio a quartabuono su 31,6° a DESTRA.
- Disporre la modanatura a corona con la sua superficie posteriore ampia (nascosta) appoggiata sulla base girevole con il suo BORDO DI CONTATTO CON LA PARETE appoggiato contro la guida pezzo sulla sega.
- Il pezzo finito da utilizzare si troverà sempre sul lato DESTRO della lama dopo aver effettuato il taglio.

I fermi per modanatura a corona (accessori opzionali) consentono tagli più facili delle modanature a corona senza inclinare la lama della sega. Installarli sulla base come indicato nelle figure. (**Fig. 49 e 50**)

Fig. 49: ad un angolo di taglio a quartabuono a 45° a destra

Fig. 50: ad un angolo di taglio a quartabuono a 45° a sinistra

Posizionare la modanatura a corona con il suo BORDO DI CONTATTO CON LA PARETE appoggiato alla guida pezzo e con il suo BORDO DI CONTATTO CON IL SOFFITTO appoggiato contro i fermi per la modanatura a corona, come indicato in figura (**Fig. 51**). Regolare i fermi per modanatura a corona a seconda della dimensione di quest'ultima. Serrare le viti per fissare i fermi di modanatura a corona. Consultare la tabella (C) per l'angolo di taglio a quartabuono.

Tabella (C)

	Posizione di modanatura nelle Fig. 47 e 48	Angolo di taglio a quartabuono	Pezzo finito
Per l'angolo interno	(1)	45° a destra	Salvare il lato a destra della lama
	(2)	45° a sinistra	Salvare il lato a sinistra della lama
Per l'angolo esterno	(3)		Salvare il lato a destra della lama
	(4)	45° a destra	Salvare il lato a sinistra della lama

7. Taglio delle estrusioni di alluminio

Per fissare le estrusioni di alluminio, usare blocchi distanziatori o pezzi di scarto, come mostrato nella **Fig. 52**, in modo da prevenire la deformazione dell'alluminio. Usare un lubrificante di taglio per evitare che le bave di alluminio si accumulino sulla lama.

AVVERTIMENTO:

- **Mai cercare di tagliare estrusioni di alluminio spesse o rotonde.** Le estrusioni di alluminio spesse o tonde potrebbero essere difficili da fissare e potrebbero liberarsi durante il taglio, con perdita di controllo e quindi gravi lesioni personali.

8. Taglio scanalato (Fig. 53)

Si possono eseguire tagli di tipo a zoccolo procedendo come segue:

Regolare la posizione del limite inferiore della lama usando le viti di regolazione e il braccio di fermo, per limitare la profondità di taglio della lama. Riferirsi alla sezione "Braccio di fermo" descritta precedentemente.

Dopo aver regolato la posizione di limite inferiore della lama, tagliare scanalature parallele lungo la larghezza del pezzo usando il taglio con scorrimento (spinta), come mostrato in figura. Rimuovere poi il materiale del pezzo tra le scanalature con uno scalpello.

AVVERTIMENTO:

- **Non tentare di effettuare questo tipo di taglio usando una lama di tipo più largo o lama per zoccoli.** Il tentativo di effettuare un taglio scanalato con una lama più larga o lama per zoccoli potrebbe dare risultati inattesi e contraccolpo, provocando quindi gravi lesioni personali.
- **Rimettere il braccio di fermo sulla sua posizione originale quando si eseguono tagli diversi da quelli scanalati.** Il tentativo di tagliare con il braccio di fermo in posizione errata potrebbe dare risultati di taglio inattesi e contraccolpo, provocando quindi gravi lesioni personali.

Trasporto dell'utensile

Accertarsi che l'utensile sia staccato dalla presa di corrente. Fissare la lama all'angolo di taglio a unghia di 0° e girare la base girevole completamente nella posizione di angolo di taglio a quartabuono a destra. Fissare i poli di scorrimento in modo che il polo di scorrimento inferiore sia bloccato nella posizione del carrello tirato completamente verso di sé dall'operatore, e i poli superiori siano bloccati nella posizione del carrello completamente spinto in avanti fino alla guida pezzo (vedere la sezione con il titolo "Regolazione del blocco di scorrimento"). Abbassare completamente il manico e fissarlo nella posizione abbassata spingendo dentro il perno di fermo. (Fig. 54)

Trasportare l'utensile tenendo entrambi i lati della base, come mostrato in figura. Rimuovendo i supporti, il sacchetto segatura, ecc., l'utensile può essere trasportato più facilmente. (Fig. 55)

AVVERTIMENTO:

- **Il perno di fermo serve solo per il trasporto e al deposito dell'utensile e non deve mai essere utilizzato per il taglio.** Se il perno di fermo viene usato per il taglio potrebbe provocare movimenti inattesi della lama della sega con contraccolpo e gravi lesioni personali.

ATTENZIONE:

- Fissare sempre tutte le parti mobili prima di trasportare l'utensile. Se delle parti dell'utensile si spostano o scorrono durante il trasporto, l'eventuale perdita di controllo o del bilanciamento del pezzo potrebbe causare lesioni personali.

MANUTENZIONE

AVVERTIMENTO:

- **Accertarsi sempre che l'utensile sia spento e staccato dalla presa di corrente prima di qualsiasi intervento di ispezione o di manutenzione.** Se la presa dell'utensile non viene scollegata e l'utensile non spento, potrebbe verificarsi l'avviamento accidentale del medesimo, causando gravi lesioni personali.
- **Per le prestazioni migliori e la massima sicurezza, accertarsi sempre che la lama sia affilata e pulita.** Il tentativo di tagliare con una lama non affilata e/o sporca potrebbe causare contraccolpo e gravi lesioni personali.

AVVISO:

- Mai usare benzina, benzene, solventi, alcol e altre sostanze simili. Potrebbero causare scolorimenti, deformazioni o crepe.

Regolazione dell'angolo di taglio

L'utensile è stato regolato e allineato accuratamente in fabbrica, ma se non viene trattato con la dovuta cura, potrebbe perdere l'allineamento. Se l'allineamento non è corretto, procedere come segue:

1. Angolo di taglio a quartabuono

Spingere il carrello verso la guida pezzo e serrare la vite di fissaggio in senso orario, quindi tirare la leva di blocco verso la parte anteriore della sega per fissare il carrello. Ruotare l'impugnatura in senso antiorario, in modo da fissare la base girevole. Girare la base girevole in modo che l'indice indichi 0° sulla scala di taglio a quartabuono. Girare poi leggermente la base girevole in senso orario e antiorario per assestarla nella tacca di taglio obliquo di 0°. (Lasciarla com'è se l'indice non indica 0°.) Allentare i bulloni esagonali che fissano la guida pezzo usando la chiave a bussola.

Abbassare completamente il manico e bloccarlo spingendo dentro il perno di fermo. Squadrare il lato della lama con la faccia della guida pezzo usando un righello triangolare, squadra di riscontro, ecc. Stringere poi saldamente in successione iniziando dal lato destro i bulloni esagonali sulla guida pezzo. (Fig. 56)

Accertarsi che l'indice indichi 0° sulla scala di taglio a quartabuono. Se l'indice non indica 0°, allentare la vite che fissa l'indice e regolare l'indice in modo che indichi 0°. (Fig. 57)

2. Angolo di taglio a unghia

Spingere completamente la leva del meccanismo di blocco in avanti, per sbloccare i finecorsa meccanici.

1) Angolo di taglio a unghia di 0°

Spingere il carrello verso la guida pezzo e serrare la vite di fissaggio in senso orario, quindi tirare la leva di blocco verso la parte anteriore della sega per fissare il carrello. Abbassare completamente il manico e bloccarlo nella posizione abbassata spingendo la spina di bloccaggio. Allentare la leva sulla parte posteriore dell'utensile. (Fig. 58)

Girare il bullone esagonale sul fianco destro del supporto braccio di due o tre giri in senso antiorario per inclinare la lama a destra. (Fig. 59)

Fare combaciare con cura il fianco della lama con la superficie superiore della base girevole usando la squadra triangolare, squadra di riscontro, ecc., girando il bullone esagonale sul fianco destro del supporto braccio in senso orario. Stringere poi saldamente la leva. (Fig. 60)

Accertarsi che gli indici sul supporto braccio indichino 0° sulla scala di taglio a unghia sul braccio. Se non indicano 0°, allentare le viti che fissano gli indici e regolarli in modo che indichino 0°. (Fig. 61)

2) Angolo di taglio a unghia di 45° (Fig. 62)

Regolare l'angolo di taglio a unghia di 45° soltanto dopo aver eseguito la regolazione dell'angolo di taglio a unghia di 0°. Per regolare l'angolo di taglio a unghia di 45° sinistro, allentare la leva e inclinare completamente la lama a sinistra. Accertarsi che l'indice del supporto braccio indichi 45° sulla scala di taglio a unghia sul braccio. Se l'indice non indica 45°, girare il bullone di regolazione dell'angolo di taglio a unghia di 45° sul fianco del braccio finché l'indice indica 45°.

Per regolare l'angolo di taglio a unghia di 45° destro, usare la stessa procedura descritta sopra.

Regolazione della posizione della linea laser (Fig. 63 e 64)

Modelli LS1016L e LS1016FL soltanto

AVVERTIMENTO:

- Poiché per regolare la linea laser, la presa dell'utensile deve essere collegata, prestare particolare attenzione a non accendere l'utensile. L'avviamento accidentale dell'utensile potrebbe causare gravi lesioni personali.

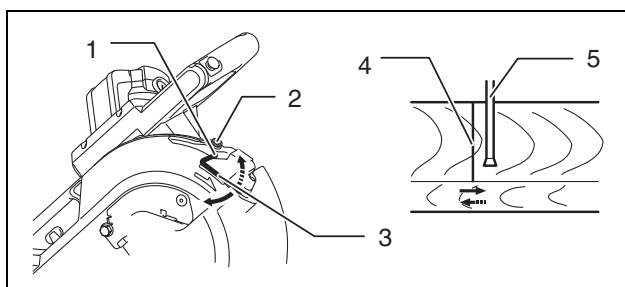
ATTENZIONE:

- Mai guardare direttamente il raggio laser. L'esposizione diretta dell'occhio al fascio laser potrebbe causare gravi lesioni agli occhi.
- RADIAZIONE LASER
Non fissare il raggio.

AVVISO:

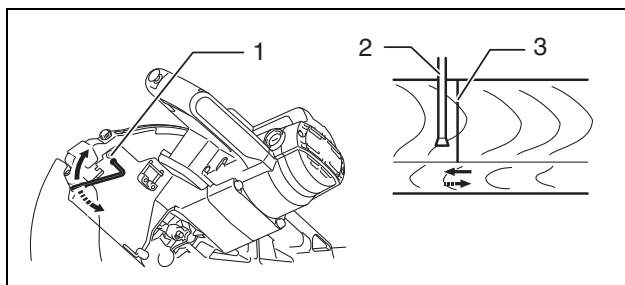
- Prestare attenzione che se l'utensile viene sottoposto a urti la linea laser potrebbe disallinearsi o il laser potrebbe guastarsi, e la sua vita utile diminuire.

Regolare la linea laser sul lato sinistro della lama.



- 1 Vite di cambio gamma di spostamento vite di regolazione
- 2 Vite di regolazione
- 3 Chiave esagonale
- 4 Linea laser
- 5 Lama

Regolare la linea laser sul lato destro della lama.



- 1 Vite di regolazione
- 2 Lama
- 3 Linea laser

Per entrambe le regolazioni, procedere come segue.

1. Accertarsi che l'utensile sia staccato dalla presa di corrente.
2. Tracciare la linea di taglio sul pezzo e metterlo sulla base girevole. A questo punto, non fissare il pezzo con la morsa od altro dispositivo di fissaggio.
3. Abbassare la lama abbassando il manico, e controllare solo dove si trova la linea di taglio e la posizione della lama. (Decidere la posizione di taglio sulla linea di taglio.)

4. Dopo aver stabilito la posizione corretta della linea rispetto alla lama, riportare il manico nella posizione originale. Fissare il pezzo con la morsa verticale senza spostarlo dalla posizione precedentemente controllata.
5. Collegare l'utensile alla presa di corrente e schiacciare l'interruttore laser.
6. Regolare la posizione della linea laser come segue.

La posizione della linea laser può essere cambiata con il cambiamento della gamma di spostamento della vite di regolazione girando le due viti con la chiave esagonale. (La gamma di spostamento della linea laser è stata regolata in fabbrica entro 1 mm dalla superficie laterale della lama.)

Per spostare maggiormente la gamma di spostamento della linea laser dalla superficie laterale della lama, girare le due viti in senso antiorario dopo aver allentato la vite di regolazione. Girare queste due viti in senso orario per spostarla più vicina alla superficie laterale della lama dopo aver allentato la vite di regolazione.

Riferirsi alla sezione "Utilizzo del raggio laser" e regolare la vite di regolazione in modo che la linea di taglio sul pezzo sia allineata con la linea laser.

NOTA:

- Controllare regolarmente la precisione della posizione della linea laser.
- Far riparare l'utensile presso un centro Makita autorizzato nel caso di un qualsiasi difetto dell'unità laser.

Pulire la lente della luce laser (Fig. 65 e 66)

Modelli LS1016L e LS1016FL soltanto

Se la lente della lampadina laser diventa sporca, oppure se su di essa è rimasta attaccata della segatura in modo che la linea laser non è più visibile, staccare l'utensile dalla presa di corrente e rimuovere e pulire con cura la lente della lampadina laser con un panno morbido bagnato. Per pulire la lente, non usare solventi o pulitori a base di petrolio.

Per togliere la lente dalla lampadina laser, rimuovere la lama prima della lente secondo le istruzioni della sezione "Installazione o rimozione della lama".

Usando un cacciavite, allentare, senza rimuoverla, la vite che fissa la lente.

Tirar fuori la lente come mostrato nella illustrazione.

NOTA:

- Se la lente non viene via, allentare ulteriormente la vite e tirar via di nuovo la lente senza rimuovere la vite.

Sostituzione delle spazzole di carbone (Fig. 67 e 68)

Rimuovere e ispezionare regolarmente le spazzole di carbone. Sostituirle quando sono consumate fino al limite di usura. Mantenere pulite le spazzole di carbone, che devono potersi muovere liberamente nel portaspazzole. Le spazzole di carbone vanno sostituite entrambe allo stesso tempo. Usare soltanto spazzole di carbone identiche.

Per rimuovere le spazzole di carbone, usare un cacciavite. Togliere le spazzole usurate, inserire le nuove e fissare i tappi del portaspazzole.

Dopo aver sostituito le spazzole, collegare lo strumento all'alimentazione elettrica e rodare le spazzole facendo funzionare lo strumento a vuoto per circa 10 minuti. Quindi, controllare lo strumento mentre è in funzione, nonché il funzionamento del freno elettrico quando si rilascia il grilletto interruttore. Se il freno elettrico non funziona correttamente, fare riparare l'utensile da un centro di assistenza Makita.

Dopo l'uso

- Dopo l'uso, togliere i trucioli e la segatura attaccati all'utensile con un panno o uno straccio. Mantenere pulita la protezione della lama facendo riferimento alle spiegazioni di "Protezione della lama". Oliare le parti mobili con un lubrificante antiruggine.
- Se si immagazzina l'utensile, tirare il carrello completamente verso di sé in modo che i pali di scorrimento siano inseriti del tutto all'interno della base.

Per preservare la SICUREZZA e l'AFFIDABILITÀ del prodotto, le riparazioni e qualsiasi altro intervento di manutenzione e di regolazione devono essere eseguiti da un centro di assistenza Makita usando ricambi Makita.

ACCESSORI

AVVERTIMENTO:

- **In questo manuale si consiglia di usare questi accessori o ricambi Makita.** L'uso di qualsiasi altro accessorio o ricambio può causare gravi lesioni personali.
- **Usare accessori o ricambi Makita unicamente per lo scopo specificato.** L'uso errato di un accessorio o ricambio potrebbe causare gravi lesioni personali.

Per maggiori dettagli riguardo a questi accessori, rivolgersi a un centro di assistenza Makita.

- Lame di acciaio e al carburo

Lame della sega combinata	Per eseguire tagli uniformi e precisi su vari materiali.
Combinazione	Lama generica per eseguire tagli lungo le fibre, tagli di testa e tagli a quartabuono.
Tagli di testa	Per eseguire tagli di testa più uniformi rispetto alla fibratura. Trancia in modo più pulito rispetto alla fibratura.
Tagli di testa di precisione	Per tagli puliti di testa rispetto alla fibratura senza carteggio.
Lame per sega combinata in materiali non ferrosi	Per tagli a quartabuono di alluminio, rame, ottone, tubature e altri materiali non ferrosi.

- Gruppo morsa (morsa orizzontale)
- Morsa verticale
- Chiave a bussola 13
- Supporto
- Sacchetto segatura
- Serie di fermi per modanature a corona
- Righello triangolare
- Scatola polvere
- Chiave esagonale (per LS1016L e LS1016FL)

Verklaring van algemene gegevens

1 Aanslagpen	35 Asvergrendeling	66 Kroon-profiellijstaanslag L (los verkrijgbaar)
2 Zeskante bout(en)	36 Zaagbladkast	67 Kroon-profiellijstaanslag R (los verkrijgbaar)
3 Veiligheidskap	37 Pijltje	68 Kroon-profiellijstaanslag L
4 Zaagsnedeplaat	38 Buitenflens	69 Kroon-profiellijstaanslag R
5 Zaagblad	39 Binnenflens	70 Kroon-profiellijst
6 Zaagbladtanden	40 As	71 Spanschroef
7 Linkse verstek snede	41 Ring	72 Vulblok
8 Rechte snede	42 Stofuitlaat	73 Aluminium werkstuk
9 Rechtse verstek snede	43 Stofzak	74 Groeven zagen met het zaagblad
10 Ingedrukt houdt	44 Sluitstrip	75 Driehoekslinaal
11 Schroef	45 Stofvanger	76 Verstekschaal
12 Stelbout	46 Afdekking	77 Schaalverdeling voor schuine hoek
13 Draaibaar voetstuk	47 Knop	78 Stelbout voor hoek van 0°
14 Aanslaghendel	48 Cilinder	79 Schaalverdeling
15 Schuifpijp	49 Zaagsel	80 Stelbout voor linkse 45° schuine hoek
16 Bovenvlak van draaibaar voetstuk	50 Steun	81 Stelbout voor rechtse 45° schuine hoek
17 Omtrek van zaagblad	51 Draaibaar voetstuk	82 Werkstuk
18 Geleider	52 Klembouten	83 Laserlijn
19 Stelschroef	53 Bovenste geleider	84 Verticale spanschroef
20 Aanslagarm	54 Onderste geleider	85 Schroevendraaier
21 Greep	55 Spanschroefknop	86 Schroef (één stuk)
22 Nok	56 Spanschroefarm	87 Laserstraallens
23 Hendel(s)	57 Spanschroefstang	88 Limietmerkstreep
24 Vergrendelingshendel	58 Spanschroefplaat	89 Borstelhouderdop
25 Schaalverdeling	59 Spanschroefmoer	90 Borgschroef
26 Ontgrendelknop	60 Houder	91 Lampschakelaar
27 Wijzer	61 Kroon-profiellijst met een wandhoek van 52/38°	92 Lamp
28 Ontgrendelknop	62 Kroon-profiellijst met een wandhoek van 45°	93 Rood indicatievlak
29 Trekschakelaar	63 Kwarthol-profiellijst met een wandhoek van 45°	
30 Gat voor hangslot	64 Binnenhoek	
31 Laserschakelaar	65 Buitenhoek	
32 Dopsleutel		
33 Sleutelhouder		
34 Middenkap		

TECHNISCHE GEGEVENS

Model

LS1016/LS1016L/LS1016F/LS1016FL

Diameter zaagblad

Voor alle niet-Europese landen 255 mm – 260 mm

Voor alle Europese landen..... 260 mm

Diameter zaagbladgat


Voor alle niet-Europese landen 25,4 mm

Voor alle Europese landen..... 30 mm

Max. zaagcapaciteiten (H x B) met 260 mm diameter zaagblad

Verstekhoek	Schuine hoek		
	45° (links)	0°	45° (rechts)
0°	42 mm x 310 mm	68 mm x 310 mm	29 mm x 310 mm
	58 mm x 279 mm	91 mm x 279 mm	43 mm x 279 mm
45° (rechts en links)	42 mm x 218 mm	68 mm x 218 mm	29 mm x 218 mm
	58 mm x 197 mm	91 mm x 197 mm	43 mm x 197 mm
52° (rechts en links)	–	68 mm x 190 mm	–
	–	91 mm x 171 mm	–
60° (rechts)	–	68 mm x 155 mm	–
	–	91 mm x 139 mm	–

Kroon-profiellijst van 45° (met gebruik van kroon-profiellijstaanslag)	168 mm
Plint (H) (met gebruik van horizontale spanschroef)	120 mm

Toerental onbelast (min ⁻¹).....	3 200
Lasertype (LS1016L, LS1016FL).....	Rode laser 650 nm, <1,6mW (Laser Klasse 2M)
Afmetingen (L x B x H).....	718 mm x 640 mm x 671 mm
Netto gewicht	
Voor alle niet-Europese landen	
LS1016.....	23,6 kg
LS1016L/LS1016F.....	23,7 kg
LS1016FL.....	23,8 kg
Voor alle Europese landen	
LS1016.....	24,1 kg
LS1016L/LS1016F.....	24,2 kg
LS1016FL.....	24,3 kg
Veiligheidsklasse.....	 /II

- In verband met ononderbroken research en ontwikkeling, behouden wij ons het recht voor de bovenstaande technische gegevens zonder voorafgaande kennisgeving te wijzigen.
- De technische gegevens kunnen van land tot land verschillen.
- Gewicht volgens de EPTA-procedure 01/2003

Doeleinden van gebruik


Dit gereedschap is bedoeld voor nauwkeurig recht zagen en verstekzagen in hout. Bij gebruik van de geschikte zaagbladen kan ook aluminium worden gezaagd.

Stroomvoorziening

Het gereedschap mag alleen worden aangesloten op een stroombron van hetzelfde voltage als aangegeven op de naamplaat, en kan alleen op enkel-fase wisselstroom worden gebruikt. Het gereedschap is dubbel-geïsoleerd volgens de Europese standaard en kan derhalve ook op een niet-geaard stopcontact worden gebruikt.

GEA010-1

Algemene veiligheids waarschuwingen voor elektrisch gereedschap

 **WAARSCHUWING! Lees alle veiligheids waarschuwingen en alle instructies.** Het niet volgen van de waarschuwingen en instructies kan leiden tot elektrische schokken, brand en/of ernstig letsel.

Bewaar alle waarschuwingen en instructies om in de toekomst te kunnen raadplegen.

ENB034-6

AANVULLENDE VEILIGHEIDSVOORSCHRIFTEN VOOR HET GEREEDSCHAP

1. Draag oogbescherming.
2. Houd uw handen uit de buurt van het zaagblad. Raak het freewheelende zaagblad niet aan, aangezien dit nog ernstige verwonding kan veroorzaken.
3. Gebruik de zaag niet zonder dat de veiligheidskappen zijn aangebracht. Controleer vóór elk gebruik of de veiligheidskap goed sluit. Gebruik de zaag niet indien de veiligheidskap niet goed beweegt en niet snel over het zaagblad sluit. Klem of bind de veiligheidskap nooit in de geopende stand vast.

4. **Zaag nooit met het werkstuk in uw hand.** Gebruik altijd de spanschroef om het werkstuk goed vast te zetten op het draaibaar voetstuk en tegen de geleider. Gebruik nooit uw hand om het werkstuk tijdens het zagen vast te houden.
5. **Reik nooit in de nabijheid van het zaagblad.**
6. **Schakel het gereedschap uit en wacht totdat het zaagblad volledig tot stilstand is gekomen alvorens het werkstuk te verwijderen of instellingen te veranderen.**
7. **Trek de stekker uit het stopcontact alvorens het zaagblad te verwisselen of onderhoud aan het gereedschap uit te voeren.**
8. **Zet altijd alle bewegende onderdelen vast alvorens het gereedschap te dragen.**
9. **De aanslagpen die de zaagkop in de omlaagpositie vergrendelt, wordt alleen gebruikt voor het dragen en opbergen van het gereedschap en niet voor zaagbedieningen.**
10. **Gebruik het gereedschap niet in de nabijheid van ontvlambare gassen of vloeistoffen.** Door de elektrische werking van het gereedschap kan een explosie en brand worden veroorzaakt indien blootgesteld aan brandbare vloeistoffen of gassen.
11. **Controleer het zaagblad zorgvuldig op barsten of beschadiging, alvorens het gereedschap te gebruiken.** Een gebarsten of beschadigd zaagblad dient onmiddellijk te worden vervangen.
12. **Gebruik alleen flenzen die voor dit gereedschap zijn bestemd.**
13. **Pas op dat u de as, de flenzen (vooral hun montagevlak) of de bout niet beschadigt.** Beschadiging van deze onderdelen kan zaagbladbreuk veroorzaken.
14. **Zorg dat het draaibaar voetstuk goed vastgezet is, zodat het tijdens het zagen niet kan bewegen.**
15. **Verwijder voor uw eigen veiligheid zaagafval, stukjes hout e.d. van de werktafel alvorens te gaan zagen.**
16. **Vermijd het zagen op spijkers.** Inspecteer het werkstuk en verwijder alle eventuele spijkers alvorens met het zagen te beginnen.
17. **Zet de asvergrendeling in de vrije stand alvorens de trekschakelaar in te drukken.**
18. **Zorg ervoor dat het zaagblad in zijn laagste positie niet in aanraking komt met het draaibaar voetstuk.**

19. Houd het handvat stevig vast. Denk eraan dat de zaag bij het starten en stoppen even op- en neergaat.
20. Zorg dat het zaagblad bij het inschakelen niet in contact is met het werkstuk.
21. Laat het gereedschap een tijdje draaien alvorens het op het werkstuk te gebruiken. Controleer op trillingen of schommelingen die op onjuiste installatie of op een slecht gebalanceerd zaagblad kunnen wijzen.
22. Wacht totdat het zaagblad op volle toeren draait, alvorens het werkstuk te zagen.
23. Stop onmiddellijk met zagen indien u iets abnormaals opmerkt.
24. Probeer niet om de trekschakelaar in de INGESCHAKELD positie te vergrendelen.
25. Laat uw aandacht nooit verslappen, vooral niet wanneer het werk saai is en uit herhalingen bestaat. Laat u niet door een vals gevoel van veiligheid misleiden, aangezien zaagbladen altijd uiterst gevaarlijk zijn.
26. Gebruik uitsluitend de accessoires die in deze gebruiksaanwijzing worden aanbevolen. Het gebruik van ongeschikte accessoires, zoals slijpschijven, kan verwonding veroorzaken.
27. Gebruik de zaag niet voor het zagen van andere materialen dan aluminium, hout of soortgelijk materiaal.
28. Sluit verstekzagen tijdens het zagen aan op een stofvanginrichting.
29. Selecteer de zaagbladen in overeenstemming met het te zagen materiaal.
30. Wees voorzichtig wanneer u gleuven zaagt.
31. Vervang de zaagsnedeplaat wanneer deze versleten is.
32. Gebruik geen zaagbladen die van sneldraaistaal zijn gemaakt.
33. Sommig stofafval van de zaagbediening bevat chemicaliën die kanker, geboortefwijkingen of andere voortplantingsdefecten kunnen veroorzaken. Een paar voorbeelden van deze chemicaliën zijn:
 - lood van materiaal dat met loodhoudende inkt is geverfd
 - larseen en chroom van chemisch behandeld timmerhout
 Het gevaar van blootstelling hangt af van hoe vaak u dit soort werk uitvoert. Om blootstelling aan deze chemicaliën tot een minimum te beperken, dient u in een goed geventileerde omgeving te werken en gebruik te maken van goedgekeurde veiligheidsapparatuur zoals stofmaskers die speciaal ontworpen zijn voor het filtreren van microscopische deeltjes.
34. Zorg altijd dat het zaagblad scherp en schoon is om het voortgebrachte geluid tot een minimum te beperken.
35. De gebruiker dient volledig vertrouwd te zijn met het gebruik, de afstelling en de bediening van het gereedschap.
36. Gebruik juist aangescherpte zaagbladen. Neem altijd de maximale snelheid, die op het zaagblad is aangeduid, in acht.
37. Probeer niet om afgezaagde stukken of andere delen van het werkstuk uit het zaaggebied te verwijderen terwijl het gereedschap nog draait en de zaagkop niet in de uitgangspositie staat.
38. Gebruik alleen zaagbladen die worden aanbevolen door de fabrikant en voldoen aan EN847-1.
39. Draag handschoenen wanneer u zaagbladen of ruw materiaal hanteert (zaagbladen dienen zo vaak als praktisch mogelijk is in een houder te worden gedragen).
40. Indien uitgerust met een laser, mag de laser niet worden verwisseld met een ander type laser. Reparaties moeten correct worden uitgevoerd.

BEWAAR DEZE VOORSCHRIFTEN

INSTALLEREN

Het gereedschap op de werktafel monteren

Bij de verscheping uit de fabriek is het handvat door middel van de aanslagpen in de omlaagpositie vergrendeld. Ontgrendel de aanslagpen door het handvat iets omlaag te drukken en aan de aanslagpen te trekken. (Fig. 1)

WAARSCHUWING:

- **Zorg ervoor dat het gereedschap niet kan bewegen op de ondergrond.** Als de verstekzaag tijdens het zagen beweegt ten opzichte van de ondergrond, kan dat leiden tot verlies van controle over het gereedschap en ernstig persoonlijk letsel.

Dit gereedschap dient op een vlak en stabiel oppervlak te worden gemonteerd door middel van vier bouten die u vastdraait in de boutgaten in de voet van het gereedschap. Hierdoor wordt voorkomen dat het gereedschap omkantelt en mogelijk verwondingen veroorzaakt. (Fig. 2)

BESCHRIJVING VAN DE FUNCTIES

WAARSCHUWING:

- **Controleer altijd of het gereedschap is uitgeschakeld en zijn stekker uit het stopcontact is verwijderd alvorens de functies op het gereedschap te controleren of af te stellen.** Als het gereedschap niet wordt uitgeschakeld en de stekker niet uit het stopcontact wordt getrokken, kan dat leiden tot ernstig persoonlijk letsel na per ongeluk inschakelen.

Veiligheidskap (Fig. 3 en 4)

Wanneer het handvat omlaag wordt gebracht, gaat de veiligheidskap automatisch omhoog. De veiligheidskap keert terug naar haar oorspronkelijke positie wanneer het zagen is voltooid en het handvat omhoog wordt gebracht.

WAARSCHUWING:

- **Zet de beschermkap nooit vast en verwijder nooit de beschermkap of de veer die eraan is bevestigd.** Een blootliggend zaagblad als gevolg van een buiten werking gestelde veiligheidskap kan tijdens gebruik leiden tot ernstig persoonlijk letsel.

Voor uw persoonlijke veiligheid dient de veiligheidskap altijd in goede staat te worden gehouden. Elke onregelmatigheid in de werking van de veiligheidskap dient onmiddellijk te worden hersteld. Controleer of de veer goed werkt zodat de veiligheidskap goed terugkeert.

WAARSCHUWING:

- **Gebruik het gereedschap nooit wanneer de veiligheidskap of de veer beschadigd, defect, of verwijderd zijn.** Het gebruik van het gereedschap met een beschadigde, defecte of verwijderde veiligheidskap kan leiden tot ernstig persoonlijk letsel.

Als de doorzichtige veiligheidskap vuil is of met zaagsel is bedekt zodat het zaagblad en/of het werkstuk niet meer goed zichtbaar is, haal dan de stekker uit het stopcontact en maak de veiligheidskap met een bevochtigde doek goed schoon. Gebruik geen oplosmiddelen of een schoonmaakmiddel op petroleumbasis op de kunststoffen veiligheidskap omdat hierdoor de veiligheidskap kan worden beschadigd.

Als de veiligheidskap vuil is geworden en voor correct gebruik moet worden schoongemaakt, volgt u de onderstaande stappen:

Terwijl het gereedschap is uitgeschakeld en de stekker uit het stopcontact is getrokken, gebruikt u de bijgeleverde sleutel om de zeskante bout waarmee de middenkap is bevestigd los te draaien. Draai de zeskante bout linksom los en breng de veiligheidskap en de middenkap omhoog.

In deze positie kan de veiligheidskap grondiger en gemakkelijker worden schoongemaakt. Voer de bovenstaande procedure in de omgekeerde volgorde uit en draai de bout weer vast nadat het schoonmaken is voltooid. Verwijder de veer van de veiligheidskap niet. Als de veiligheidskap beschadigd is door ouderdom of blootstelling aan ultraviolet licht, neemt u contact op met een Makita-servicecentrum om een nieuwe veiligheidskap te bestellen.

DE VEILIGHEIDSKAP NOOIT VASTZETTEN OF VERWIJDEREN.

Afstellen van de zaagsnedeplaten (Fig. 5, 6 en 7)

Om scheuren op de uitlaatkant van een snede tot een minimum te beperken, is dit gereedschap voorzien van zaagsnedeplaten in de draaitafel. De zaagsnedeplaten zijn in de fabriek zodanig afgesteld dat het zaagblad niet met de zaagsnedeplaten in contact komt. Stel de zaagsnedeplaten als volgt af alvorens het gereedschap in gebruik te nemen.

Haal eerst de stekker van het gereedschap uit het stopcontact. Draai alle schroeven (2 aan de linkerzijde en 2 aan de rechterzijde) waarmee de zaagsnedeplaten zijn vastgemaakt los. Trek de schroeven vervolgens weer aan in zulke mate dat de zaagsnedeplaten nog gemakkelijk met de hand kunnen worden bewogen. Breng het handvat volledig omlaag en druk de aanslagpen naar binnen om het handvat in de omlaagpositie te vergrendelen. Draai de borgschroef waarmee de bovenste schuifstangen zijn vastgezet linksom los en duw de borghendel waarmee de onderste schuifstangen zijn vastgezet naar voren. Trek de slede helemaal naar u toe. Stel de positie van de zaagsnedeplaten zodanig af dat deze net in aanraking komen met de zijanten van de zaagblad-tanden. Trek de voorste schroeven aan (niet te hard aantrekken). Duw de slede zo ver mogelijk naar de geleider en stel de positie van de zaagsnedeplaten zodanig af dat deze net in aanraking komen met de zijanten van de zaagblad-tanden. Trek de achterste schroeven aan (niet te hard aantrekken).

Nadat de zaagsnedeplaten zijn afgesteld, ontgrendelt u de aanslagpen en brengt u het handvat omhoog. Trek vervolgens alle schroeven stevig aan.

KENNISGEVING:

- **Zorg na het instellen van de schuine hoek ervoor dat de zaagsnedeplaten goed worden afgesteld.** Een juiste afstelling van de zaagsnedeplaten zorgt voor een goede ondersteuning van het werkstuk waarbij splinteren wordt geminimaliseerd.

Handhaven van de maximale zaagcapaciteit (Fig. 8, 9 en 10)

Dit gereedschap is in de fabriek ingesteld voor het leveren van maximale zaagcapaciteit met een 260 mm zaagblad.

Trek de stekker van het gereedschap uit het stopcontact voordat u afstellingen maakt.

Wanneer u een nieuw zaagblad installeert, moet u altijd de laagste positie van het zaagblad controleren en zondig als volgt afstellen:

Trek eerst de stekker uit het stopcontact. Breng de aanslaghendel omlaag om het zaagblad in de positie te zetten die is aangegeven in de afbeelding. Duw de slede zo ver mogelijk naar de geleider en breng het handvat helemaal omlaag. Gebruik de dopsleutel en draai de stelbout naar links of naar rechts totdat de omtrek van het zaagblad ietwat onder het bovenvlak van het draaibaar voetstuk komt te zitten op het punt waar het voorvlak van de geleider in aanraking komt met het bovenvlak van het draaibaar voetstuk.

Draai met de hand het zaagblad rond (met de stekker uit het stopcontact verwijderd!) terwijl u het handvat volledig neergedrukt houdt, en controleer of het zaagblad met geen enkel deel van het onderste voetstuk in aanraking komt. Stel opnieuw een beetje af, indien nodig.

Zet na het maken van afstellingen altijd de aanslaghendel terug in de oorspronkelijke stand door deze linksom te draaien.

WAARSCHUWING:

- **Na het monteren van een nieuw zaagblad controleert u, terwijl de stekker van het gereedschap uit het stopcontact is getrokken, altijd dat het zaagblad geen enkel onderdeel van het onderstel raakt wanneer de handvat zo ver mogelijk omlaag wordt geduwd.** Als het zaagblad het onderstel raakt, kan dit een terugslag veroorzaken en leiden tot ernstig persoonlijk letsel.

Aanslagarm (Fig. 11)

Met de aanslagarm kunt u de laagste positie van het zaagblad gemakkelijk instellen. Om in te stellen draait u de aanslagarm in de richting van het pijltje zoals afgebeeld. Stel de stelschroef zodanig in dat het zaagblad bij de gewenste positie stopt wanneer het handvat volledig omlaag wordt gebracht.

Instellen van de verstekhoek (Fig. 12)

Duw het handvat in tot de nok aangrijpt en draai deze rechtsom tot hij stopt. Houd de vergrendelknop ingedrukt en verdraai het draaibaar voetstuk. Wanneer u het handvat hebt verdraaid naar de positie waarop de aanwijspunt de gewenste hoek op de verstekschaalverdeling aangeeft, draait u het handvat 90° linksom om het draaibaar voetstuk te vergrendelen.

LET OP:

- Nadat u de verstekhoek hebt veranderd, zet u altijd het draaibaar voetstuk vast door het handvat 90° linksom te draaien.

KENNISGEVING:

- Voor het verdraaien van het draaibaar voetstuk dient u het handvat volledig omhoog te brengen.

Instellen van de schuine hoek (Fig. 13, 14 en 15)

Om de schuine hoek in te stellen, draait u de hendel op de achterkant van het gereedschap naar links los. Duw de vergrendelingshendel helemaal naar voren, zoals aangegeven in de afbeelding, terwijl u het gewicht van de zaagkop ondersteunt zodat de druk van de vergrendelingshendel wordt afgehaald.

Wanneer u de slede naar rechts kantelt, kantelt u de slede iets naar links nadat u de hendel hebt losgezet en drukt u op de ontgrendelknop. Terwijl u de ontgrendelknop ingedrukt houdt, kantelt u de slede naar rechts.

Kantel het zaagblad totdat de wijzer naar de gewenste hoek op de schuine-hoek schaalverdeling wijst. Draai daarna de hendel weer stevig naar rechts vast om de arm te vergrendelen.

Wanneer de vergrendelingshendel naar de voorkant van de zaag is getrokken, kunt u het zaagblad vergrendelen met behulp van de klikstops onder linkse en rechtse hoeken van 22,5° en 33,9° ten opzichte van het draaibaar voetstuk.

Wanneer de vergrendelingshendel naar de achterkant van de zaag is geduwd, zoals aangegeven in de afbeelding, kan het zaagblad onder iedere gewenste hoek worden vergrendeld binnen het opgegeven bereik voor de schuine hoek.

LET OP:

- Na het wijzigen van de schuine hoek, dient u de arm altijd vast te zetten door de hendel naar rechts vast te draaien.

KENNISGEVING:

- Bij het kantelen van het zaagblad moet het handvat helemaal omhoog staan.
- Na het wijzigen van de schuine hoek, dient u de zaagsnedeplaten weer in de juiste positie te zetten volgens de aanwijzingen in de paragraaf "Afstellen van de zaagsnedeplaten".

Schuifvergrendeling afstellen (Fig. 16)

Om de onderste schuifstang te vergrendelen, trekt u de borghendel naar de voorkant van de zaag.

Om de bovenste schuifstangen te vergrendelen, draait u de borgschroef rechtsom.

Werking van de schakelaar

Voor Europese landen (Fig. 17)

Een ontgrendelknop is voorzien om te voorkomen dat de trekschakelaar per ongeluk wordt ingedrukt. Om de het gereedschap te starten, duw de hendel naar links, druk de ontgrendelknop in en druk daarna de trekschakelaar in. Om het gereedschap te stoppen, laat u de trekschakelaar los.

WAARSCHUWING:

- **Alvorens de stekker in een stopcontact te steken, moet u altijd controleren of de trekschakelaar goed werkt en bij het loslaten naar de "UITGESCHAKELD" (OFF) positie terugkeert. Druk de trekschakelaar niet hard in zonder dat de ontgrendelknop is ingedrukt. Hierdoor kan de schakelaar namelijk breken.** Het gereedschap gebruiken zonder dat de trekschakelaar goed werkt, kan leiden tot verlies van controle en ernstig persoonlijk letsel.

In de trekschakelaar is een gat aangebracht waar een hangslot door past om het gereedschap af te sluiten.

Voor alle niet-Europese landen (Fig. 18)

Een ontgrendelknop is voorzien om te voorkomen dat de trekschakelaar per ongeluk wordt ingedrukt. Om het gereedschap te starten, druk de ontgrendelknop in en druk vervolgens de trekschakelaar in. Om het gereedschap te stoppen, laat u de trekschakelaar los.

WAARSCHUWING:

- **Alvorens de stekker in een stopcontact te steken, moet u altijd controleren of de trekschakelaar goed werkt en bij het loslaten naar de "UITGESCHAKELD" (OFF) positie terugkeert. Druk de trekschakelaar niet hard in zonder dat de ontgrendelknop is ingedrukt. Hierdoor kan de schakelaar namelijk breken.** Het gereedschap gebruiken zonder dat de trekschakelaar goed werkt, kan leiden tot verlies van controle en ernstig persoonlijk letsel.

In de trekschakelaar is een gat aangebracht waar een hangslot door past om het gereedschap af te sluiten.

WAARSCHUWING:

- **Gebruik geen slot met een beugel of kabel met een diameter kleiner dan 6,35 mm.** Met een dunnere beugel of kabel wordt het gereedschap mogelijk niet goed in de uit-stand vergrendeld, waardoor onbedoelde bediening kan plaatsvinden die kan leiden tot ernstig persoonlijk letsel.
- **Gebruik het gereedschap NOOIT met een defecte trekschakelaar.** Ieder gereedschap met een defecte trekschakelaar is UITERST GEVAARLIJK en moet worden gerepareerd voordat het gereedschap wordt gebruikt of ernstig persoonlijk letsel wordt veroorzaakt.
- Voor uw veiligheid is dit gereedschap voorzien van een ontgrendelknop die ongewild starten van het gereedschap voorkomt. Gebruik het gereedschap NOOIT indien het gaat draaien wanneer u gewoon de trekschakelaar indrukt zonder de ontgrendelknop in te drukken. Een trekschakelaar die moet worden gerepareerd kan leiden tot onbedoelde bediening en ernstig persoonlijk letsel. Breng het naar een Makita servicecentrum voor reparatie ALVORENS het verder te gebruiken.
- NOOIT de uit-vergrendelknop vastplakken of op een andere manier buiten werking stellen. Een trekschakelaar met een buiten werking gestelde uit-vergrendelknop kan leiden tot onbedoelde bediening en ernstig persoonlijk letsel.

Aanzetten van de lampen (Fig. 19)

Alleen voor modellen LS1016F en LS1016FL

LET OP:

- De lamp is niet waterdicht. Was de lamp niet in water en gebruik hem niet in de regen of in een natte omgeving. Dit kan namelijk een elektrische schok en uitwaseming veroorzaken.
- Raak de lens van de lamp niet aan, aangezien deze tijdens of onmiddellijk na het gebruik uiterst heet is en brandwonden kan veroorzaken.
- Stel de lamp niet bloot aan schokken of stoten, aangezien de lamp daardoor beschadigd kan raken of minder lang zal meegaan.
- Richt de stralenbundel van de lamp niet langdurig naar uw ogen. Dit kan namelijk oogletsel veroorzaken.

- Bedek de brandende lamp niet met een doek, karton of soortgelijke voorwerpen. Dit kan namelijk brand of ontbranding veroorzaken.

Om de lamp in te schakelen, drukt u op het bovenste deel (I) van de schakelaar. Om de lamp uit te schakelen, drukt u op het onderste deel (O) van de schakelaar.

Beweeg de lamp om de gewenste plek te verlichten.

OPMERKING:

- Gebruik een droge doek om vuil op de lens van de lamp eraf te vegen. Pas op dat u geen krassen maakt op de lens, omdat de verlichtingssterkte daardoor kan verminderen.

Elektronische aansturing

Constante-snelheidsregeling

- Het gereedschap is uitgerust met een elektronische toerentalregeling die ervoor zorgt dat ook onder belasting het zaagblad op constante snelheid ronddraait. Een constante draaisnelheid van het zaagblad levert een zeer gladde zaagsnede op.

Zachte-startfunctie

- Deze functie laat het gereedschap geleidelijk starten door het startkoppel te beperken.

Werking van de laserstraal

Alleen voor modellen LS1016L en LS1016FL

LET OP:

- Kijk nooit in de laserstraal. Een directe laserstraal kan oogletsel veroorzaken.
- LASERSTRALING. KIJK NIET IN DE LASERSTRAAL EN GEBRUIK GEEN OPTISCHE INSTRUMENTEN OM ER RECHTSTREEKS NAAR TE KIJKEN. LASERPRODUCT VAN KLASSE 2M.

Om de laser in te schakelen, drukt u op de bovenkant (I) van de schakelaar. Om de laserstraal uit te schakelen, drukt u op het onderste deel (O) van de schakelaar. (Fig. 20)

U kunt de laserlijn verplaatsen naar de linker- of rechterzijde van het zaagblad door de stelschroef als volgt in te stellen. (Fig. 21)

1. Draai de stelschroef naar links los.
2. Schuif de losgedraaide stelschroef zo ver mogelijk naar links of rechts.
3. Draai de stelschroef stevig vast bij de positie waar deze niet verder kan worden verschoven.

De laserlijn is in de fabriek zodanig ingesteld dat deze zich binnen 1 mm vanaf het zijvlak van het zaagblad (zaagpositie) bevindt.

OPMERKING:

- Wanneer de laserlijn vaag en slecht zichtbaar is vanwege direct zonlicht, verplaatst u het werkgebied naar een plaats met minder direct zonlicht.

Afstellen van de laserlijn (Fig. 22)

U kunt de laserlijn verplaatsen naar de linker- of rechterzijde van het zaagblad, afhankelijk van de zaagbewerking. Voor het verplaatsen van de laserlijn, zie de uitleg onder "Werking van de laserstraal".

OPMERKING:

- Plaats een houten hulpstuk tegen de geleider wanneer u de zaaglijn instelt met de laserlijn aan de zijkant van de geleider voor gecombineerd zagen (45° schuine hoek en 45° rechtse verstekhoek).
 - A) Wanneer u de juiste afmeting krijgt aan de linkerzijde van het werkstuk
 - Verplaats de laserlijn naar de linkerzijde van het zaagblad.
 - B) Wanneer u de juiste afmeting krijgt aan de rechterzijde van het werkstuk
 - Verplaats de laserlijn naar de rechterzijde van het zaagblad.
- Doe de zaaglijn op het werkstuk overeenkomen met de laserlijn.

INEENZETTEN

WAARSCHUWING:

- **Zorg altijd dat het gereedschap is uitgeschakeld en zijn stekker uit het stopcontact is verwijderd alvorens het gereedschap te gebruiken.** Als u het gereedschap niet uitschakelt en zijn stekker niet uit het stopcontact trekt, kan dat leiden tot ernstig persoonlijk letsel.

Opbergen van de dopsleutel (Fig. 23)

De dopsleutel wordt bewaard op de plaats aangegeven in de afbeelding.

Als u de dopsleutel nodig hebt, trekt u deze uit de sleutelhouder.

Na gebruik van de dopsleutel, plaatst u deze terug in de sleutelhouder.

Installeren of verwijderen van het zaagblad

WAARSCHUWING:

- **Zorg altijd dat het gereedschap is uitgeschakeld en zijn stekker uit het stopcontact is verwijderd alvorens het zaagblad te installeren of te verwijderen.** Als het gereedschap per ongeluk start, kan dat leiden tot ernstig persoonlijk letsel.
- **Gebruik voor het installeren of verwijderen van het zaagblad uitsluitend de bijgeleverde Makita dopsleutel.** Als u de sleutel niet gebruikt kan de zeskante bout te strak of onvoldoende strak worden aangedraaid, waardoor ernstig persoonlijk letsel kan ontstaan.

Druk de aanslagpen naar binnen om het handvat in de omhoogpositie te vergrendelen. (Fig. 24)

Gebruik de dopsleutel om de zeskante bout, die de middenkap op zijn plaats houdt, naar links los te draaien. Breng de veiligheidskap en de middenkap omhoog. (Fig. 25)

Druk de asvergrendeling in om de as te vergrendelen en draai met de dopsleutel de zeskante bout naar rechts los. Verwijder vervolgens de zeskante bout, de buitenflens en het zaagblad. (Fig. 26)

OPMERKING:

- Als de binnenflens verwijderd is, vergeet u niet deze aan te brengen op de as met zijn uitsteeksel van het zaagblad af gericht. Als de binnenflens verkeerd wordt aangebracht, zal de flens tegen het gereedschap aanlopen.

WAARSCHUWING:

- Voordat het zaagblad op de as wordt aangebracht, moet u ervoor zorgen, dat de juiste ring, passend voor het asgat van het zaagblad, is aangebracht tussen de binnen- en buitenflens. Als een ring met een verkeerd asgat wordt gebruikt, kan het zaagblad verkeerd worden gemonteerd waardoor het zaagblad kan verschuiven en sterke trillingen worden veroorzaakt, wat kan leiden tot verlies van controle en ernstig persoonlijk letsel.

Om het zaagblad te installeren, monteert u het zaagblad op de as, ervoor zorgend dat de pijltjes op het zaagblad en op de zaagbladkast in dezelfde richting wijzen.

Monteer de buitenflens en de zeskante bout, en draai met de dopsleutel de zeskante bout (linkse schroefdraad) stevig naar links vast terwijl u daarbij de asvergrendeling ingedrukt houdt. (Fig. 27 en 28)

Breng de veiligheidskap en de middenkap terug naar hun oorspronkelijke positie. Draai daarna de zeskante bout naar rechts vast om de middenkap vast te zetten. Trek de aanslagpen naar buiten om het handvat uit de omhoogpositie te halen. Breng het handvat naar omlaag om te controleren of de veiligheidskap goed beweegt. Zet de asvergrendeling in de vrije stand alvorens te gaan zagen. (Fig. 29)

Stofzak (Fig. 30)

Door de stofzak te gebruiken werkt u schoner en kan het zaagsel eenvoudiger worden opgeruimd. Bevestig de stofzak op de stofmond.

Wanneer de stofzak ongeveer halfvol is, verwijdert u hem van het gereedschap en trekt u de sluitstrip eruit. Maak de stofzak leeg en tik er lichtjes op voor het verwijderen van achtergebleven stofdeeltjes die de stofopvang zouden kunnen belemmeren.

OPMERKING:

- U kunt schoner werken door een stofzuiger op de zaag aan te sluiten.

Stofvanger (los verkrijgbaar accessoire) (Fig. 31, 32 en 33)

Steek de stofvanger in de stofuitlaat.

Leeg de stofvanger wanneer dat nodig is.

Als u de stofvanger wilt legen, drukt u op de knop om het deksel te openen zodat u het zaagsel kan weggooid. Plaats het deksel terug in zijn oorspronkelijke stand tot het op zijn plaats wordt vergrendeld. De stofvanger kan eenvoudig worden verwijderd door eraan te trekken en tegelijkertijd te draaien bij de stofuitlaat op het gereedschap.

OPMERKING:

- Als u een Makita-stofzuiger aansluit op uw gereedschap, kunt u nog schoner werken.

KENNISGEVING:

- Maak de stofvanger leeg voordat het opgevangen zaagsel de cilinder bereikt.

Vastzetten van het werkstuk

WAARSCHUWING:

- Het is uiterst belangrijk om het werkstuk altijd goed vast te klemmen in het juiste type spanschroef of kroon-profiellijstaanslagen. Als u dat niet doet, kan dat leiden tot ernstig persoonlijk letsel en schade aan het gereedschap en/of het werkstuk.
- Nadat u klaar bent met zagen, mag u het handvat pas omhoog brengen nadat het zaagblad volledig tot stilstand is gekomen. Als u het handvat omhoog brengt terwijl het zaagblad nog ronddraait, kan dat leiden tot ernstig persoonlijk letsel en schade aan het werkstuk.
- Wanneer u een werkstuk zaagt dat langer is dan het voetstuk van de cirkelzaag, moet het werkstuk worden ondersteund over de gehele lengte buiten het voetstuk en op dezelfde hoogte zodat het werkstuk horizontaal blijft. Een goede ondersteuning van het werkstuk helpt voorkomen dat het zaagblad vastloopt en een mogelijke terugslag optreedt die kan leiden tot ernstig persoonlijk letsel. Verlaat u niet alleen op de verticale en/of horizontale spanschroef om het werkstuk op zijn plaats te houden. Dun materiaal hangt gemakkelijk door. Ondersteun het werkstuk over zijn hele lengte om vastklemmen van het zaagblad en mogelijke TERUGSLAG te voorkomen. (Fig. 34)

Geleiders instellen (VERSCHUIFBARE GELEIDERS, elk bestaande uit een bovenste en onderste geleider)

WAARSCHUWING:

- Alvorens het gereedschap te gebruiken, controleert u dat de bovenste en onderste geleiders stevig vastgezet zijn.
- Alvorens een schuine snede te zagen, controleert u of geen enkel onderdeel van het gereedschap, met name het zaagblad, in geen enkele stand de bovenste en onderste geleiders raakt wanneer het handvat helemaal omlaag en omhoog wordt gebracht, of de slede door het hele bereik wordt bewogen. Als het gereedschap of zaagblad de geleider raakt, kan dat leiden tot een terugslag of een onverwachte beweging van het werkstuk en ernstig persoonlijk letsel.

De onderste geleiders kunnen naar binnen en naar buiten worden verschoven door de klembouten los te draaien. (Fig. 35)

Een rood indicatievlak wordt zichtbaar wanneer de onderste geleiders naar binnen worden bewogen, en verdwijnt wanneer de onderste geleiders naar buiten worden bewogen.

De bovenste geleiders kunnen worden verwijderd of naar binnen en buiten worden verschoven door de hendels los te draaien. (Fig. 36)

Bij zagen van een schuine snede stelt u de stand van de onderste en bovenste geleiders zo dicht mogelijk bij het zaagblad af voor een zo goed mogelijke ondersteuning van het werkstuk en controleert u of geen enkel onderdeel van het gereedschap, met name het zaagblad, in geen enkele stand de bovenste en onderste geleiders raakt wanneer het handvat geheel omlaag en omhoog wordt gebracht, of de slede in de onderste stand geheel naar voren of naar achteren wordt getrokken of geduwd. (Fig. 37)

Maak, voordat u echt begint te zagen, eerst een proefbeweging met uitgeschakelde cirkelzaag en de stekker uit het stopcontact getrokken, om de speling tussen de bewegende delen en de geleiders te controleren.

Alvorens te zagen, zet u de onderste geleiders goed vast door de klembouten vast te draaien, en zet u de bovenste geleiders goed vast door de hendels vast te draaien.

Nadat het zagen van de schuine snede klaar is, moet u niet vergeten de bovenste geleiders terug te schuiven naar hun oorspronkelijke plaatsen en vast te zetten.

Verticale spanschroef (Fig. 38)

De verticale spanschroef kan op twee plaatsen worden gemonteerd: aan de linkerkant of aan de rechterkant van het draaibaar voetstuk. Steek de spanschroefstang in het gat in het draaibaar voetstuk.

Zet de arm van de spanschroef in de positie die geschikt is voor de dikte en vorm van het werkstuk, en zet de arm vast door de schroef vast te draaien. Zet de arm van de spanschroef in de positie die geschikt is voor de dikte en vorm van het werkstuk, en zet de arm vast door de schroef vast te draaien. Als de schroef waarmee de spanschroef arm is vastgezet de slede raakt, monteert u de schroef aan de tegenoverliggende zijde van de arm. Controleer of geen enkel deel van het gereedschap in aanraking komt met de spanschroef wanneer het handvat volledig omlaag wordt gebracht en de slede helemaal naar achteren of naar voren wordt getrokken of geduwd. Indien dit wel het geval is, moet u de positie van de spanschroef veranderen.

Druk het werkstuk vlak tegen de geleider en het draaibaar voetstuk. Plaats het werkstuk in de gewenste zaagpositie en zet het stevig vast door de knop van de spanschroef vast te draaien.

Door de spanschroefknop 90° linksom te draaien, kan de spanschroefknop omhoog en omlaag worden bewogen zodat snel plaatsen en verwijderen van het werkstuk mogelijk is. Om na het plaatsen het werkstuk vast te zetten, draait u de spanschroefknop rechtsom.

WAARSCHUWING:

- **Tijdens alle bedieningen moet het werkstuk door de spanschroef stevig tegen het draaibaar voetstuk en de geleider worden gedrukt.** Als het werkstuk niet goed is vastgeklemd tegen de geleiders, kan het werkstuk tijdens het zagen verschuiven en zo mogelijk schade aan het zaagblad veroorzaken, waardoor het werkstuk weggeslagen kan worden en u de controle kunt verliezen, wat kan leiden tot ernstig persoonlijk letsel.

Horizontale spanschroef (los verkrijgbaar accessoire) (Fig. 39 en 40)

De horizontale spanschroef kan in twee posities aan de linkerzijde of de rechterzijde van het voetstuk worden geïnstalleerd.

Voor het maken van versteksnedes van 15° of meer, installeert u de horizontale spanschroef aan de tegenovergestelde zijde van de richting waarin het draaibaar voetstuk zal worden gedraaid.

Door de moer van de spanschroef naar links te tikken wordt de spanschroef in de vrije stand gezet en kunt u deze snel naar binnen en naar buiten bewegen. Om het werkstuk te grijpen, duwt u de knop van de spanschroef naar voren totdat de spanschroefplaat in aanraking komt met het werkstuk en dan tikt u de spanschroefmoer naar rechts. Draai vervolgens de spanschroefknop naar rechts om het werkstuk vast te zetten.

Met de horizontale spanschroef kunt u werkstukken met een maximale breedte van 215 mm vastzetten.

WAARSCHUWING:

- **Draai de spanschroefmoer altijd rechtsom tot het werkstuk stevig klem zit.** Als het werkstuk niet goed is vastgeklemd, kan het werkstuk tijdens het zagen verschuiven en zo mogelijk schade aan het zaagblad veroorzaken, waardoor het werkstuk weggeslagen kan worden en u de controle over het gereedschap kunt verliezen, wat kan leiden tot ernstig persoonlijk letsel.
- Bij het zagen van een dun werkstuk, zoals een plint, tegen de geleider, gebruikt u altijd de horizontale spanschroef.

Houders (los verkrijgbaar accessoire) (Fig. 41)

U kunt de houders aan beide zijden van het gereedschap aanbrengen om de werkstukken goed horizontaal te houden. Steek de houderstangen in de gaten in het voetstuk en stel hun lengte af in overeenstemming met het werkstuk. Zet vervolgens de houders stevig vast met de schroeven.

WAARSCHUWING:

- **Ondersteun een lang werkstuk altijd zodanig dat het horizontaal ligt met de draaibaar voetstuk om een nauwkeurige zaagsnede te verkrijgen en om gevaarlijk verlies van controle over het gereedschap te voorkomen.** Een goede ondersteuning van het werkstuk helpt voorkomen dat het zaagblad vastloopt en een mogelijke terugslag optreedt die kan leiden tot ernstig persoonlijk letsel.

BEDIENING

KENNISGEVING:

- Alvorens het gereedschap wordt ingeschakeld, dient het handvat uit zijn laagste positie te worden gehaald door de aanslagpen naar buiten te trekken.
- Oefen tijdens het zagen geen overmatige druk op het handvat uit. Wanneer u te hard drukt, kan de motor overbelast raken en/of de zaagcapaciteit verminderen. Druk alleen zo hard als nodig is voor soepel zagen zonder dat de draaisnelheid van de zaag aanzienlijk vermindert.
- Druk het handvat zachtjes naar beneden om te zagen. Indien het handvat met geweld naar beneden wordt gedrukt of zijwaartse druk erop wordt uitgeoefend, zal het zaagblad trillen en een merkteken (zaagteken) in het werkstuk achterlaten, en zal ook de zaagsnede minder nauwkeurig zijn.
- Voor glijdend zagen duwt u de slede langzaam en zonder te stoppen naar de geleider. Als de slede tijdens het zagen wordt gestopt, zal een merkteken in het werkstuk achterblijven en zal de zaagsnede minder nauwkeurig zijn.

WAARSCHUWING:

- **Zorg ervoor dat het zaagblad niet in aanraking is met het werkstuk e.d. voordat u de trekschakelaar indrukt.** Wanneer u het gereedschap inschakelt terwijl het zaagblad reeds het werkstuk aanraakt, kan dat leiden tot een terugslag en ernstig persoonlijk letsel.

1. Drukkend zagen (zagen van kleine werkstukken) (Fig. 42)

Werkstukken die maximaal 68 mm hoog en 160 mm breed zijn kunt u als volgt zagen.

Nadat u de aanslaghendel rechtsom hebt gedraaid en de slede in de gewenste stand hebt geduwd, duwt u de slede helemaal in de richting van de geleider en draait u de borgschroef rechtsom vast, en trekt u de borghendel naar de voorkant van de zaag om de slede te vergrendelen. Klem het werkstuk goed vast met het juiste type spanschroef of kroon-profiellijstaanslagen.

Schakel het gereedschap in zonder dat het zaagblad met het werkstuk in contact is, en wacht totdat het zaagblad op volle toeren draait. Breng dan het handvat langzaam omlaag naar de laagste positie om het werkstuk te zagen. Nadat het zagen is beëindigd, schakelt u de machine uit. WACHT TOTDAT HET ZAAGBLAD VOLLEDIG TOT STILSTAND IS GEKOMEN alvorens het zaagblad in zijn hoogste positie terug te zetten.

WAARSCHUWING:

- **Draai de borgschroef stevig rechtsom vast en trek de borghendel stevig naar de voorkant van de zaag zodat de slede niet beweegt tijdens het zagen.** Door een onvoldoende vast aangedraaide borgschroef kan een terugslag worden veroorzaakt, wat kan leiden tot ernstig persoonlijk letsel.

2. Glijdend (duwend) zagen (zagen van brede werkstukken) (Fig. 43 en 44)

Draai de borgschroef linksom en duw de borghendel naar voren zodat de slede weer vrij kan bewegen. Klem het werkstuk vast met het juiste type spanschroef.

Trek de slede volledig naar u toe. Schakel het gereedschap in zonder dat het zaagblad met het werkstuk in contact is, en wacht totdat het zaagblad op volle toeren draait. Druk het handvat omlaag en DUW DE SLEDE NAAR DE GELEIDER OM HET WERKSTUK TE ZAGEN. Nadat het zagen is voltooid, schakelt u het gereedschap uit. WACHT TOTDAT HET ZAAGBLAD VOLLEDIG TOT STILSTAND IS GEKOMEN alvorens het zaagblad in zijn hoogste positie terug te zetten.

WAARSCHUWING:

- **Bij het glijdend zagen, trekt u eerst de slede helemaal naar u toe en brengt u het handvat helemaal omlaag, waarna u de slede helemaal naar de geleider duwt. Begin nooit met zagen zonder de slede helemaal naar u toe te trekken.** Als u glijdend zaagt zonder dat de slede helemaal naar u toe is getrokken, kan een onverwachte terugslag optreden die kan leiden tot ernstig persoonlijk letsel.
- **Probeer nooit glijdend te zagen door de slede naar u toe te trekken.** Door de slede zagend naar u toe te trekken, kan een onverwachte terugslag optreden die kan leiden tot ernstig persoonlijk letsel.
- Glijdend zagen mag nooit worden uitgevoerd terwijl het handvat in de laagste positie is vergrendeld.
- **Draai de vastzetknop van de slede nooit los terwijl het zaagblad nog draait. Dit kan ernstige verwonding veroorzaken.** Een losse slede tijdens het zagen kan een onverwachte terugslag veroorzaken die kan leiden tot ernstig persoonlijk letsel.

3. Verstekzagen

Zie de paragraaf "Instellen van de verstekhoek" hierboven.

4. Schuine sneden zagen (Fig. 45)

Draai de hendel los en zet het zaagblad schuin om de schuine hoek in te stellen (Zie "Instellen van de schuine hoek" hierboven). Draai de hendel weer goed vast om de gekozen schuine hoek vast te houden. Zet het werkstuk vast met een spanschroef. Zorg dat de slede volledig naar de gebruiker toe is getrokken. Schakel het gereedschap in zonder dat het zaagblad met het werkstuk in contact is, en wacht totdat het zaagblad op volle toeren draait. Breng het handvat langzaam omlaag tot in de laagste positie door druk uit te oefenen evenwijdig met het zaagblad, en DUW DE SLEDE NAAR DE GELEIDER OM HET WERKSTUK TE ZAGEN. Nadat het zagen is voltooid, schakelt u het gereedschap uit. WACHT TOTDAT HET ZAAGBLAD VOLLEDIG TOT STILSTAND IS GEKOMEN alvorens het zaagblad in zijn hoogste positie terug te zetten.

WAARSCHUWING:

- **Nadat het zaagblad is ingesteld op een schuine snede, controleert u voordat u begint te zagen of de slede en het zaagblad vrij kunnen bewegen over de hele lengte van de te maken zaagsnede.** Wanneer de beweging van de slede of het zaagblad tijdens het zagen wordt onderbroken, kan een terugslag worden veroorzaakt die kan leiden tot ernstig persoonlijk letsel.
- **Houd bij het maken van een schuine snede uw handen uit de buurt van het pad van het zaagblad.** De hoek van het zaagblad kan verwarrend werken op de gebruiker met betrekking tot het werkelijke zaagpad dat tijdens het zagen beschreven wordt, en aanraking van het zaagblad zal leiden tot ernstig persoonlijk letsel.
- **Het zaagblad mag niet omhoog gebracht worden voordat het volledig tot stilstand is gekomen.** Tijdens het zagen van een schuine snede kan het afgezaagde deel van het werkstuk tegen het zaagblad aanliggen. Als het zaagblad omhoog wordt gebracht terwijl het nog ronddraait, kan het afgezaagde deel door het zaagblad weggeslingerd worden waardoor het uiteenvalt en ernstig persoonlijk letsel kan veroorzaken.

KENNISGEVING:

- Wanneer u het handvat omlaag drukt, dient u druk uit te oefenen evenwijdig met het zaagblad. Indien u verticale druk op het draaibaar voetstuk uitoefent of de drukrichting tijdens het zagen verandert, zal de zaagsnede minder nauwkeurig zijn.
- Voordat u een schuine snede kunt zagen, kan het noodzakelijk zijn de bovenste en onderste geleiders in te stellen. Raadpleeg de tekst onder het kopje "Geleiders instellen".

5. Gecombineerd zagen

Gecombineerd zagen betekent dat het werkstuk tegelijk met een schuine hoek en een verstekhoek wordt gezaagd. Gecombineerd zagen is mogelijk voor de hoeken aangegeven in de onderstaande tabel.

Verstekhoek	Schuine hoek
Links en rechts 0° – 45°	Links en rechts 0° – 45°

Als u gecombineerd zagen wilt uitvoeren, raadpleegt u de beschrijvingen onder "Drukkend zagen", "Glijdend zagen", "Verstekzagen" en "Schuine sneden zagen".

6. Kroon-profiellijsten en kwarthol-profiellijsten zagen

Kroon-profiellijsten en kwarthol-profiellijsten kunnen worden gezaagd op een gecombineerd-verstekzaag waarbij de sierlijsten plat op het draaibaar voetstuk liggen.

Er zijn twee veelvoorkomende typen kroon-profiellijsten en één veelvoorkomend type kwarthol-profiellijsten: kroon-profiellijsten met een wandhoek van 52/38°, kroon-profiellijsten met een wandhoek van 45°, en kwarthol-profiellijsten met een wandhoek van 45°. Zie de afbeeldingen. (Fig. 46)

Er zijn verbindingen van kroon-profiellijsten en van kwarthol-profiellijsten die passen in binnenhoeken van 90° (zie (1) en (2) in Fig. 47 en 48), en om buitenboeken van 90° (zie (3) en (4) in Fig. 47 en 48).

Opmeten

Meet de lengte van de wand en leg het werkstuk op het draaibaar voetstuk om de kant die tegen de wand komt af te zagen op de gewenste lengte. Zorg er altijd voor dat de lengte van het afgezaagde werkstuk gemeten **op de achterkant** hetzelfde is als de lengte van de wand. Zaag de uiteinden onder de benodigde hoek af. Gebruik altijd meerdere proefwerkstukken om de benodigde zaaghoek te controleren.

Bij het zagen van kroon-profiellijsten en kwarthol-profiellijsten stelt u de verstekhoek en schuine hoek in, zoals aangegeven in tabel (A), en legt u de sierlijst op het bovenoppervlak van het draaibaar voetstuk, zoals aangegeven in tabel (B).

Voor het zagen van een schuine snede links

Tabel (A)

	Sierlijst-gedeelte in Fig. 47 en 48	Schuine hoek		Verstekhoek	
		Hoek 52/38°	Hoek 45°	Hoek 52/38°	Hoek 45°
Binnenhoek	(1)	Links 33,9°	Links 30°	Rechts 31,6°	Rechts 35,3°
	(2)			Links 31,6°	Links 35,3°
Buitenhoek	(3)			Rechts 31,6°	Rechts 35,3°
	(4)				

Tabel (B)

	Sierlijst-gedeelte in Fig. 47 en 48	Kant van de sierlijst die tegen de geleider moet liggen	Afgewerkt werkstuk
Binnenhoek	(1)	Kant die tegen het plafond komt moet tegen de geleider liggen.	Het afgewerkte werkstuk ligt aan de linkerkant van het zaagblad.
	(2)	Kant die tegen de wand komt moet tegen de geleider liggen.	
Buitenhoek	(3)	Kant die tegen het plafond komt moet tegen de geleider liggen.	Het afgewerkte werkstuk ligt aan de rechterkant van het zaagblad.
	(4)		

Voorbeeld:

In het geval u een kroon-profiellijst zaagt van het type 52/38° voor gedeelte (1) in Fig. 47 en 48:

- Kantel de zaag naar de stand voor een schuine hoek van 33,9° LINKS.
- Stel een verstekhoek in van 31,6° RECHTS.
- Leg de kroon-profiellijst op het gereedschap met de achterkant (verborgen) naar onderen gericht op het draaibaar voetstuk en de KANT DIE TEGEN HET PLAFOND KOMT tegen de geleider.
- Het afgewerkte werkstuk dat u gaat gebruiken ligt altijd LINKS van het zaagblad nadat het zagen klaar is.

Voor het zagen van een schuine snede rechts

Tabel (A)

	Sierlijst-gedeelte in Fig. 47 en 48	Schuine hoek		Verstekhoek	
		Hoek 52/38°	Hoek 45°	Hoek 52/38°	Hoek 45°
Binnenhoek	(1)	Rechts 33,9°	Rechts 30°	Rechts 31,6°	Rechts 35,3°
	(2)			Links 31,6°	Links 35,3°
Buitenhoek	(3)			Rechts 31,6°	Rechts 35,3°
	(4)				

Tabel (B)

	Sierlijst-gedeelte in Fig. 47 en 48	Kant van de sierlijst die tegen de geleider moet liggen	Afgewerkt werkstuk
Binnenhoek	(1)	Kant die tegen de wand komt moet tegen de geleider liggen.	Het afgewerkte werkstuk ligt aan de rechterkant van het zaagblad.
	(2)	Kant die tegen het plafond komt moet tegen de geleider liggen.	
Buitenhoek	(3)	Kant die tegen de wand komt moet tegen de geleider liggen.	Het afgewerkte werkstuk ligt aan de linkerkant van het zaagblad.
	(4)		

Voorbeeld:

In het geval u een kroon-profiellijst zaagt van het type 52/38° voor gedeelte (1) in **Fig. 47 en 48**:

- Kantel de zaag naar de stand voor een schuine hoek van 33,9° RECHTS.
- Stel een verstekhoek in van 31,6° RECHTS.
- Leg de kroon-profiellijst op het gereedschap met de achterkant (verborgen) naar onderen gericht op het draaibaar voetstuk en de KANT DIE TEGEN DE WAND KOMT tegen de geleider.
- Het afgewerkte werkstuk dat u gaat gebruiken ligt altijd RECHTS van het zaagblad nadat het zagen klaar is.

Kroon-profiellijstaanslagen (los verkrijgbaar) maken het gemakkelijker profiellijsten te zagen doordat het niet nodig is het zaagblad te kantelen. Breng ze aan op het voetstuk van het gereedschap, zoals aangegeven in de afbeeldingen. (**Fig. 49 en 50**)

Fig. 49: met verstekhoek van 45° rechts

Fig. 50: met verstekhoek van 45° links

Leg de kroon-profiellijst met de KANT DIE TEGEN DE WAND KOMT tegen de geleider en de KANT DIE TEGEN HET PLAFOND KOMT tegen de kroon-profiellijstaanslagen, zoals aangegeven in de afbeelding (**Fig. 51**). Stel de kroon-profiellijstaanslagen in overeenkomstig het formaat van de kroon-profiellijst. Draai de schroeven vast om de kroon-profiellijstaanslagen vast te zetten. Raadpleeg tabel (C) voor de verstekhoek.

Tabel (C)

	Sierlijst-gedeelte in Fig. 47 en 48	Verstekhoek	Afgewerkt werkstuk
Binnenhoek	(1)	Rechts 45°	Werkstuk rechts naast zaagblad
	(2)	Links 45°	Werkstuk links naast zaagblad
Buitenhoek	(3)		Werkstuk rechts naast zaagblad
	(4)	Rechts 45°	Werkstuk links naast zaagblad

7. Zagen van aluminium werkstukken

Gebruik vulblokken of afgedankte blokstukken voor het vastzetten van aluminium werkstukken, zoals afgebeeld in **Fig. 52**, om vervorming van de aluminium te voorkomen. Gebruik voor het zagen ook zaagolie, om te voorkomen dat aluminium zaagsel zich op het zaagblad vastzet.

WAARSCHUWING:

- **Probeer nooit om dikke of ronde aluminium werkstukken te zagen.** Dikke of ronde aluminiumprofielen kunnen moeilijk vast te zetten zijn en kunnen zich tijdens het zagen loswerken, wat kan leiden tot verlies van controle en ernstig persoonlijk letsel.

8. Zagen van groeven (Fig. 53)

Sokkel-type zaagsneden kunnen als volgt worden gemaakt:

Stel de laagste positie van het zaagblad in met behulp van de stelschroef en de aanslagarm, om de snijdiepte van het zaagblad te beperken. Zie de paragraaf "Aanslagarm" hierboven.

Nadat de laagste positie van het zaagblad is ingesteld, kunt u evenwijdige groeven over de breedte van het werkstuk zagen door glijdend (duwend) te zagen zoals afgebeeld. Verwijder daarna het zaagmateriaal tussen de groeven met behulp van een beitel.

WAARSCHUWING:

- **Probeer niet dit type zaagsnede uit te voeren met een breder zaagblad of sokkelzaagblad.** Als u probeert een groef te zagen met een breder zaagblad of een sokkelzaagblad, kan dat resulteren in een onverwacht zaagresultaat en een terugslag die kan leiden tot ernstig persoonlijk letsel.
- **Breng de aanslagarm terug naar zijn oorspronkelijke positie voor andere zaagbedieningen dan het zagen van groeven.** Als u een zaagsnede probeert te zagen met de aanslagarm in de verkeerde positie, kan dat resulteren in een onverwacht zaagresultaat en een terugslag die kan leiden tot ernstig persoonlijk letsel.

Dragen van het gereedschap

Zorg dat de stekker van het gereedschap uit het stopcontact is getrokken. Zet het zaagblad vast op een verticaal-verstekhoek van 0° en de draaitafel op de maximale horizontaal-verstekhoek naar rechts. Zet de schuifstangen zodanig vast dat de onderste schuifstang is vergrendeld in de stand waarbij de slede geheel naar de gebruiker is getrokken, en de bovenste schuifstangen zijn vergrendeld in de stand waarbij de slede geheel naar voren is getrokken in de richting van de geleider (zie het gedeelte "Schuifvergrendeling afstellen"). Breng het handvat volledig omlaag en vergrendel het in de laagste positie door de aanslagpen naar binnen te drukken. (Fig. 54)

Draag het gereedschap door beide zijden van de gereedschapsvoet vast te houden zoals afgebeeld. Het gereedschap is gemakkelijker om dragen wanneer u de houders, stofzak, enz., ervan verwijderd. (Fig. 55)

WAARSCHUWING:

- **De aanslagpen is uitsluitend bedoeld te worden gebruikt tijdens het dragen en bewaren van het gereedschap, en mag nooit worden gebruikt tijdens het zagen.** Het gebruik van de aanslagpen tijdens het zagen kan onverwachte bewegingen van het zaagblad veroorzaken die kunnen leiden tot een terugslag en ernstig persoonlijk letsel.

LET OP:

- Zet alle bewegende onderdelen vast alvorens het gereedschap te dragen. Als tijdens het dragen onderdelen van het gereedschap bewegen of verschuiven, kunt u uw balans of de controle over het gereedschap verliezen, wat kan leiden tot persoonlijk letsel.

ONDERHOUD

WAARSCHUWING:

- **Zorg altijd dat het gereedschap is uitgeschakeld en zijn stekker uit het stopcontact is verwijderd alvorens te beginnen met inspectie of onderhoud.** Als u het gereedschap niet uitschakelt en zijn stekker niet uit het stopcontact trekt, kan het gereedschap per ongeluk starten, wat kan leiden tot ernstig persoonlijk letsel.
- **Zorg altijd dat het zaagblad scherp en schoon is om optimale en veilige prestaties te krijgen.** Als u probeert te zagen met een bot en/of vuil zaagblad, kan een terugslag optreden die kan leiden tot ernstig persoonlijk letsel.

KENNISGEVING:

- Gebruik nooit benzine, wasbenzine, thinner, alcohol en dergelijke. Hierdoor het verkleuring, vervormingen en barsten worden veroorzaakt.

Afstellen van de zaaghoek

Dit gereedschap werd in de fabriek nauwkeurig afgesteld en uitgelijnd, maar door ruwe behandeling kan de uitlijning ervan verslechterd zijn. Doe het volgende indien uw gereedschap niet meer juist is uitgelijnd:

1. Verstekhoek

Duw de slede in de richting van de geleider en draai de borgschroef rechtsom vast, en trek de borghendel naar de voorkant van de zaag om de slede te vergrendelen.

Draai het handvat waarmee het draaibaar voetstuk is vastgezet linksom. Draai de draaitafel zodat de wijzer wijst naar 0° op de verstekschaal. Draai daarna de draaitafel een beetje naar rechts en naar links zodat hij in de 0° verstek-inkeping komt te zitten. (Laat de draaitafel zoals hij is indien de wijzer niet naar 0° wijst.) Draai de zeskante bouten van de geleider los met de dopsleutel.

Breng het handvat volledig omlaag en vergrendel het in de laagste positie door de aanslagpen in te drukken. Gebruik een driehoekslinaal of een winkelhaak e.d. om de zijde van het zaagblad haaks te zetten ten opzichte van het vlak van de geleider. Draai vervolgens de zeskantbouten van de geleider op volgorde vast vanaf de rechterkant. (Fig. 56)

Controleer of de wijzer wijst naar 0° op de verstekschaal. Indien de wijzer niet naar 0° wijst, draait u de bevestigingsschroef van de wijzer los en stelt u de wijzer juist in zodat hij naar 0° wijst. (Fig. 57)

2. Schuine hoek

Duw de vergrendelingshendel helemaal naar voren om de arm uit zij stand te ontgrendelen.

1) 0° schuine hoek

Duw de slede in de richting van de geleider en draai de borgschroef rechtsom vast, en trek de borghendel naar de voorkant van de zaag om de slede te vergrendelen. Breng het handvat helemaal omlaag en vergrendel het in de laagste positie door de aanslagpen in te drukken. Draai de hendel aan de achterzijde van de machine los. (Fig. 58)

Draai de zeskant bout op de rechterzijde van de armhouder twee of drie slagen naar links om het zaagblad naar rechts te doen hellen. (Fig. 59)

Zet de zijde van het zaagblad haaks ten opzichte van het bovenzvlak van het draagbaar voetstuk door de zeskant bout op de rechterzijde van de armhouder voorzichtig naar rechts te draaien; gebruik hiervoor een driehoekslinaal of een winkelhaak e.d. Draai daarna de hendel stevig vast. (Fig. 60)

Controleer of de wijzers op de armhouder allebei 0° op de schuine-hoek schaalverdeling op de arm aanwijzen. Indien niet, maak dan de bevestigingsschroeven van de wijzers los en verstel de wijzers zodanig dat zij naar 0° wijzen. (Fig. 61)

2) 45° schuine hoek (Fig. 62)

Stel de 45° schuine hoek pas in nadat de 0° schuine hoek is ingesteld. Voor het instellen van de linkse 45° schuine hoek, draait u de hendel los en kantelt u het zaagblad volledig naar links. Controleer of de wijzer op de armhouder wijst naar 45° op de schuine-hoek schaalverdeling op de arm. Indien niet, dan verdraait u de stelbout voor de linkse 45° schuine hoek op de zijkant van de arm totdat de wijzer naar 45° wijst.

Ga op dezelfde wijze te werk voor het instellen van de rechtse 45° schuine hoek.

Afstellen van de positie van de laserlijn (Fig. 63 en 64)

Alleen voor modellen LS1016L en LS1016FL

WAARSCHUWING:

- Aangezien de stekker van het gereedschap in het stopcontact moet zitten voor het afstellen van de laserlijn, moet u bijzonder voorzichtig zijn het gereedschap niet per ongeluk in te schakelen. Als het gereedschap per ongeluk start, kan dat leiden tot ernstig persoonlijk letsel.

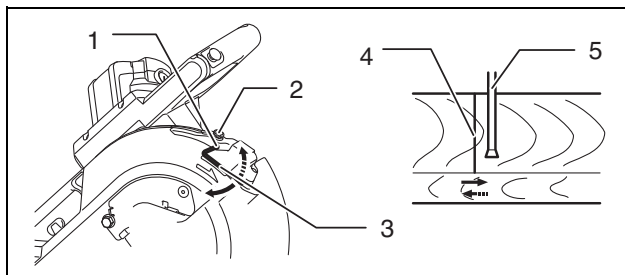
LET OP:

- **Kijk nooit direct in de laserstraal.** Rechtstreeks oogcontact met de laserstraal kan leiden tot ernstige beschadiging van de ogen.
- **LASERSTRALING**
Kijk niet in de laserstraal.

KENNISGEVING:

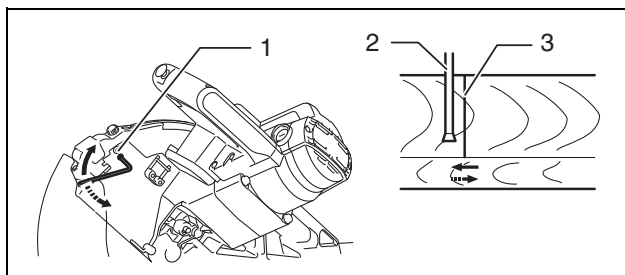
- Denk eraan dat stoten tegen het gereedschap ertoe kan leiden dat de uitlijning van de laserlijn verandert, of de laser kan beschadigen waardoor de levensduur ervan korter wordt.

Afstellen van de laserlijn aan de linkerzijde van het zaagblad



- 1 Schroef voor verandering van het verplaatsingsbereik van de stelschroef
- 2 Stelschroef
- 3 Inbussleutel
- 4 Laserlijn
- 5 Zaagblad

Afstellen van de laserlijn aan de rechterzijde van het zaagblad



- 1 Stelschroef
- 2 Zaagblad
- 3 Laserlijn

Voer beide afstellingen als volgt uit.

1. Haal de stekker van het gereedschap uit het stopcontact.
2. Teken de zaaglijn op het werkstuk en plaats het werkstuk op de draaitafel. Zet het werkstuk voorlopig niet vast met een spanschroef of een soortgelijk bevestigingsmiddel.

3. Breng het zaagblad omlaag door het handvat omlaag te brengen en controleer de positie van het zaagblad in vergelijking met de zaaglijn. (Bepaal de te zagen positie op de zaaglijn.)
4. Nadat u de zaaglijn in de juiste positie ten opzichte van het zaagblad hebt gebracht, brengt u het handvat weer omhoog. Klem het werkstuk vast met de verticale spanschroef zonder het werkstuk uit de gecontroleerde positie te verschuiven.
5. Steek de stekker in het stopcontact en zet de laserschakelaar aan.
6. Stel de positie van de laserlijn als volgt af.

De positie van de laserlijn verandert wanneer u het verplaatsingsbereik van de stelschroef voor de laser verandert door twee schroeven te draaien met een inbussleutel. (Het verplaatsingsbereik van de laserlijn is in de fabriek ingesteld binnen 1 mm vanaf het zijvlak van het zaagblad.)

Om het verplaatsingsbereik van de laserlijn verder weg van het zijvlak van het zaagblad in te stellen, draait u de stelschroef los en vervolgens draait u de twee schroeven naar links. Draai de stelschroef los en draai de twee schroeven naar rechts om het verplaatsingsbereik dichterbij het zijvlak van het zaagblad in te stellen.

Zie het gedeelte "Werking van de laserstraal" hierboven en stel de stelschroef zodanig in dat de zaaglijn op het werkstuk precies overeenkomt met de laserlijn.

OPMERKING:

- Controleer regelmatig of de positie van de laserlijn nauwkeurig is.
- In geval van een defect in de laserinrichting dient u het gereedschap door een erkend Makita servicecentrum te laten repareren.

Schoonmaken van de lens van de laser (Fig. 65 en 66)

Alleen voor modellen LS1016L en LS1016FL

Als de laserstraallens vuil is of met zaagsel is bedekt zodat de laserlijn niet meer goed zichtbaar is, verwijder dan de stekker uit het stopcontact en reinig de laserstraallens voorzichtig met een bevochtigde, zachte doek. Gebruik nooit oplosmiddelen of benzinehoudende schoonmaakmiddelen op de lens.

Om de laserstraallens te verwijderen, verwijdert u eerst het zaagblad volgens de aanwijzingen onder "Installeren of verwijderen van het zaagblad" en daarna verwijdert u de lens.

Draai met een schroevendraaier de bevestigingsschroef van de lens los zonder de schroef te verwijderen.

Trek de lens eruit zoals afgebeeld.

OPMERKING:

- Als de lens niet eruit komt, draai dan de schroef iets verder los zonder deze te verwijderen en probeer opnieuw om de lens eruit te trekken.

Vervangen van de koolborstels (Fig. 67 en 68)

Verwijder en controleer regelmatig de koolborstels. Vervang de koolborstels wanneer deze tot aan de limietmerkstreep versleten zijn. Houd de koolborstels schoon zodat ze vlot in hun houders glijden. Beide koolborstels dienen tegelijkertijd te worden vervangen. Gebruik uitsluitend identieke koolborstels.

Gebruik een schroevendraaier om de koolborsteldoppen te verwijderen. Haal de versleten koolborstels eruit, schuif de nieuwe erin, en zet de koolborsteldoppen goed vast.

Nadat de koolborstels vervangen zijn, steekt u de stekker van het netsnoer in het stopcontact en laat u de koolborstels inlopen door het gereedschap gedurende 10 minuten onbelast te laten draaien. Test vervolgens de werking van de elektrische rem van het gereedschap door de aan/uit-schakelaar los te laten. Als de elektrische rem niet goed werkt, laat u het gereedschap repareren door een Makita-servicecentrum.

Na het gebruik

- Veeg na gebruik alle zaagsel en stof op het gereedschap eraf met een doek of iets dergelijks. Houd de veiligheidskap schoon volgens de instructies die in de paragraaf "Veiligheidskap" werden beschreven. Smeer de glijdende onderdelen in met machine-olie om roestvorming te voorkomen.
- Wanneer u de machine opbergt, moet u de slede zo ver mogelijk naar u toe trekken zodat de schuifstangen helemaal in het draaibaar voetstuk komen te zitten.

Om de VEILIGHEID en BETROUWBAARHEID van het gereedschap te handhaven, dienen alle reparaties, onderhoud of afstellingen te worden uitgevoerd bij een erkend Makita servicecentrum, en altijd met gebruik van Makita vervangingsonderdelen.

ACCESSOIRES

WAARSCHUWING:

- **Deze accessoires of hulpstukken worden aanbevolen voor gebruik met het Makita gereedschap dat in deze gebruiksaanwijzing is beschreven.** Het gebruik van enige andere accessoires of hulpstukken kan leiden tot ernstig persoonlijk letsel.
- **Gebruik de Makita-accessoires of -hulpstukken uitsluitend voor de aangegeven gebruiksdoeleinden.** Misbruik van een accessoire of hulpstuk kan leiden tot ernstig persoonlijk letsel.

Wenst u meer bijzonderheden over deze accessoires, neem dan contact op met het plaatselijke Makita servicecentrum.

- Zaagbladen met stalen, hardmetalen tanden

Verstekzagen	Zaagblad voor soepel en nauwkeurig zagen in diverse materialen.
Combinatie	Zaagblad voor algemeen gebruik voor snel langszagen, afkorten en verstekzagen.
Afkorten	Zaagblad voor soepeler zagen dwars op de houtnerf. Zaagt schoon dwars op de houtnerf.
Glad afkorten	Zaagblad voor zaagsneden dwars op de houtnerf die niet meer geschuurd hoeven te worden.
Verstekzagen van non-ferrometalen	Zaagblad voor verstekzagen in aluminium, koper, messing, buizen en andere non-ferrometalen.

- Spanschroef compleet (Horizontale spanschroef)
- Verticale spanschroef
- Dopsleutel 13
- Houder
- Stofzak
- Set kroon-profiellijstaanslagen
- Driehoeksliniaal
- Stofvanger
- Inbussleutel (voor LS1016L en LS1016FL)

Explicación de los dibujos

- | | | |
|---|--|--|
| 1 Pasador de tope | 35 Bloqueo del eje | 68 Tope de moldura corona izquierda |
| 2 Perno(s) hexagonal | 36 Caja del disco | 69 Tope de moldura corona derecha |
| 3 Guarda del disco | 37 Flecha | 70 Moldura corona |
| 4 Placa de corte | 38 Brida exterior | 71 Mordaza |
| 5 Disco de sierra | 39 Brida interior | 72 Bloque espaciador |
| 6 Dientes del disco | 40 Eje | 73 Extrusión de aluminio |
| 7 Corte en bisel izquierdo | 41 Anillo | 74 Ranuras abiertas con la sierra |
| 8 Corte recto | 42 Boquilla de serrín | 75 Escuadra |
| 9 Corte en bisel derecho | 43 Bolsa de polvo | 76 Escala de inglete |
| 10 Palanca de bloqueo | 44 Cierre | 77 Placa de escala de bisel |
| 11 Tornillo | 45 Caja de polvo | 78 Perno de ajuste en ángulo a 0° |
| 12 Perno de ajuste | 46 Cubierta | 79 Placa de escala |
| 13 Base giratoria | 47 Botón | 80 Perno de ajuste del ángulo de 45° del bisel izquierdo |
| 14 Palanca de tope | 48 Sección del cilindro | 81 Perno de ajuste del ángulo de 45° del bisel derecho |
| 15 Tubo deslizante | 49 Serrín | 82 Pieza de trabajo |
| 16 Superficie superior de la base giratoria | 50 Apoyo | 83 Línea láser |
| 17 Periferia del disco | 51 Base giratoria | 84 Mordaza vertical |
| 18 Guía lateral | 52 Tornillos de apriete | 85 Destornillador |
| 19 Tornillo de ajuste | 53 Guía superior | 86 Tornillo (una pieza solamente) |
| 20 Brazo de tope | 54 Guía inferior | 87 Lente de la luz láser |
| 21 Mango | 55 Pomo de la mordaza | 88 Marca de límite |
| 22 Leva | 56 Brazo de la mordaza | 89 Tapón portaescobillas |
| 23 Palanca(s) | 57 Barra de la mordaza | 90 Tornillo de fijación |
| 24 Palanca de enganche | 58 Placa de la mordaza | 91 Interruptor para luz |
| 25 Placa de escala | 59 Tuerca de la mordaza | 92 Luz |
| 26 Botón de liberación | 60 Soporte | 93 Área de indicación roja |
| 27 Puntero | 61 Moldura corona tipo 52/38° | |
| 28 Botón de desbloqueo | 62 Moldura corona tipo 45° | |
| 29 Gatillo interruptor | 63 Moldura cóncava tipo 45° | |
| 30 Agujero para candado | 64 Esquina interior | |
| 31 Interruptor para láser | 65 Esquina exterior | |
| 32 Llave de tubo | 66 Tope de moldura corona izquierda (Accesorio opcional) | |
| 33 Portallaves | 67 Tope de moldura corona derecha (Accesorio opcional) | |
| 34 Cubierta central | | |

ESPECIFICACIONES

Modelo

LS1016/LS1016L/LS1016F/LS1016FL

Diámetro del disco

Para todos los países excepto los europeos 255 mm – 260 mm

Para los países europeos 260 mm

Diámetro del agujero

Para todos los países excepto los europeos 25,4 mm


Para los países europeos 30 mm

Capacidades máximas de corte (alto x ancho) con un disco de 260 mm de diámetro

Ángulo de inglete	Ángulo de bisel		
	45° (izquierda)	0°	45° (derecha)
0°	42 mm x 310 mm	68 mm x 310 mm	29 mm x 310 mm
	58 mm x 279 mm	91 mm x 279 mm	43 mm x 279 mm
45° (derecha y izquierda)	42 mm x 218 mm	68 mm x 218 mm	29 mm x 218 mm
	58 mm x 197 mm	91 mm x 197 mm	43 mm x 197 mm
52° (derecha y izquierda)	–	68 mm x 190 mm	–
	–	91 mm x 171 mm	–
60° (derecha)	–	68 mm x 155 mm	–
	–	91 mm x 139 mm	–

Capacidades de corte especial máximas

Tipo moldura corona 45° (utilizando con tope de moldura corona)	168 mm
Tabla de resguardo (H) (utilizando con mordaza horizontal)	120 mm

Velocidad en vacío (min ⁻¹)	3.200
Tipo de láser (LS1016L, LS1016FL)	Láser rojo de 650 nm, <1,6mW (Láser Clase 2M)
Dimensiones (L x A x A)	718 mm x 640 mm x 671 mm
Peso neto	
Para todos los países excepto los europeos	
LS1016	23,6 kg
LS1016L/LS1016F	23,7 kg
LS1016FL	23,8 kg
Para los países europeos	
LS1016	24,1 kg
LS1016L/LS1016F	24,2 kg
LS1016FL	24,3 kg
Clase de seguridad	 /II

- Debido a nuestro continuado programa de investigación y desarrollo, las especificaciones aquí ofrecidas están sujetas a cambios sin previo aviso.
- Las especificaciones pueden variar de un país a otro.
- Peso de acuerdo con el procedimiento EPTA 01/2003

Uso previsto


La herramienta ha sido prevista para hacer cortes precisos rectos y de inglete en madera. Con discos de sierra apropiados, también se puede serrar aluminio.

Alimentación

La herramienta ha de conectarse solamente a una fuente de alimentación de la misma tensión que la indicada en la placa de características, y sólo puede funcionar con corriente alterna monofásica. Está doblemente aislada de acuerdo con las normas europeas y puede, por lo tanto, usarse también en enchufes sin conductor de tierra.

GEA010-1

Advertencias de seguridad generales para herramientas eléctricas

 **¡ADVERTENCIA! Lea todas las advertencias de seguridad y todas las instrucciones.** Si no sigue todas las advertencias e instrucciones podrá ocasionar una descarga eléctrica, un incendio y/o heridas graves.

Guarde todas las advertencias e instrucciones para futuras referencias.

ENB034-6

NORMAS DE SEGURIDAD ADICIONALES PARA LA HERRMIENTA

1. Utilice protección para los ojos.
2. Mantenga las manos apartadas del recorrido del disco de sierra. Evite el contacto con cualquier disco cuando esté girando por inercia. Incluso entonces puede causar heridas graves.
3. No utilice la sierra sin las guardas puestas. Compruebe que la guarda del disco se cierra debidamente antes de cada uso. No utilice la sierra si la guarda del disco no se mueve libremente y se cierra instantáneamente. No sujete ni ate nunca la guarda del disco en la posición abierta.

4. **No realice ninguna operación sin sujetar la pieza de trabajo.** La pieza de trabajo deberá estar sujeta firmemente contra la base giratoria y la guía lateral con la mordaza durante todas las operaciones. No utilice nunca su mano para sujetar la pieza de trabajo.
5. **No se acerque nunca alrededor del disco de sierra.**
6. **Apague la herramienta y espere hasta que el disco de sierra se haya parado antes de mover la pieza de trabajo o de cambiar los ajustes.**
7. **Desenchufe la herramienta antes de cambiar el disco o hacerle el mantenimiento.**
8. **Sujete siempre todas las partes móviles antes de transportar la herramienta.**
9. **El pasador de tope que bloquea el cabezal de corte en posición bajada es solamente para transportar y almacenar la herramienta y no para ninguna operación de corte.**
10. **No utilice la herramienta donde haya líquidos o gases inflamables.** La operación eléctrica de la herramienta puede crear una explosión e incendio cuando es expuesta a líquidos o gases inflamables.
11. **Inspeccione cuidadosamente el disco antes de la operación para ver si tiene grietas o está dañado.**
Sustituya inmediatamente el disco si está agrietado o dañado.
12. **Utilice solamente las bridas especificadas para esta herramienta.**
13. **Tenga cuidado de no dañar el eje, las bridas (en especial la superficie de instalación) o el perno.** Si estas piezas resultan dañadas se podrá romper el disco.
14. **Asegúrese de que la base giratoria esté debidamente sujeta de forma que no se mueva durante la operación.**
15. **Por su propia seguridad, antes de iniciar la operación quite las virutas, pequeños trozos de material, etc. de la superficie superior de la mesa.**
16. **Evite cortar clavos.** Antes de iniciar la operación, inspeccione y extraiga todos los clavos que haya en la pieza de trabajo.
17. **Antes de activar el interruptor, asegúrese de que el bloqueo del eje esté quitado.**

18. Asegúrese de que el disco no toque la base giratoria cuando esté en la posición más baja.
19. Sujete la empuñadura firmemente. Tenga presente que la sierra se mueve un poco hacia arriba y hacia abajo durante el inicio y la parada.
20. Asegúrese de que el disco no esté tocando la pieza de trabajo antes de activar el interruptor.
21. Antes de utilizar la herramienta para cortar la pieza de trabajo definitiva, déjela funcionar durante un rato. Observe para ver si se producen vibraciones o bamboleos que puedan indicar que el disco está mal instalado o mal equilibrado.
22. Espere a que el disco alcance plena velocidad antes de cortar.
23. Detenga la operación inmediatamente si nota algo anormal.
24. No intente bloquear el gatillo en la posición activada.
25. Esté alerta en todo momento, especialmente durante las operaciones repetitivas y monótonas. No se deje llevar por el falso sentido de seguridad. Los discos de sierra nunca perdonan un descuido.
26. Emplee siempre los accesorios recomendados en este manual. El empleo de accesorios incorrectos tales como muelas abrasivas puede ocasionar heridas.
27. No utilice la sierra para cortar otra cosa que no sea aluminio, madera o materiales similares.
28. Conecte las sierras ingletadoras a un dispositivo de recogida de polvo cuando sierre.
29. Seleccione los discos de sierra según el material a cortar.
30. Tenga cuidado cuando abra ranuras.
31. Reemplace la placa de corte cuando se gaste.
32. No utilice discos de sierra fabricados con acero rápido.
33. El polvo de las operaciones de corte algunas veces contiene productos químicos que se sabe ocasionan cáncer, defectos de nacimiento u otros peligros relacionados con la reproducción. Algunos ejemplos de estos productos químicos son:
 - plomo de materiales pintados con pinturas que contengan plomo.
 - arsénico y cromo de maderas tratadas químicamente.

El riesgo al que se expone variará, dependiendo de la frecuencia con la que realice este tipo de trabajo. Para reducir la exposición a estos productos químicos: trabaje en un área bien ventilada y póngase el equipo de seguridad indicado, tal como esas máscaras contra el polvo que están especialmente diseñadas para filtrar partículas microscópicas.
34. Para reducir el ruido emitido, asegúrese siempre de que el disco esté afilado y limpio.
35. El operario deberá estar debidamente preparado para utilizar, ajustar y manejar la herramienta.
36. Utilice discos de sierra correctamente afilados. Observe la velocidad máxima marcada en el disco de sierra.
37. Absténgase de retirar cualquier recorte u otras partes de la pieza de trabajo del área de corte mientras la herramienta esté en marcha y la cabeza de la sierra no esté en posición de descanso.
38. Utilice solamente discos de sierra que cumplan con la norma EN847-1 recomendados por el fabricante.
39. Póngase guantes para manejar el disco de sierra (los discos de sierra deberán ser transportados en un portadiscos siempre que sea posible) y materiales bastos.
40. Cuando está equipada con láser, no está permitido el intercambio con diferente tipo de láser. Las reparaciones sólo deberán ser realizadas correctamente.

GUARDE ESTAS INSTRUCCIONES

INSTALACIÓN

Montaje de la sierra en un banco

Cuando la herramienta sale de fábrica, la empuñadura está bloqueada en su posición bajada con el pasador de tope. Suelte el pasador de tope aplicando simultáneamente una ligera presión hacia abajo en la empuñadura y tirando del pasador de tope. (Fig. 1)

ADVERTENCIA:

- **Asegúrese de que la herramienta no se moverá en la superficie de apoyo.** El movimiento de la sierra de inglete en la superficie de apoyo mientras hace el corte puede dar lugar a la pérdida del control y graves heridas personales.

Esta herramienta se deberá fijar con cuatro pernos en una superficie nivelada y estable utilizando los agujeros para pernos provistos en la base de la herramienta. Esto ayudará a evitar que se vuelque y pueda ocasionar heridas. (Fig. 2)

DESCRIPCIÓN DEL FUNCIONAMIENTO

ADVERTENCIA:

- **Asegúrese siempre de que la herramienta esté apagada y desenchufada antes de intentar realizar cualquier tipo de ajuste o comprobación en ella.** El no apagar y desenchufar la herramienta puede dar lugar a graves heridas personales a causa de un arranque involuntario.

Guarda del disco (Fig. 3 y 4)

Al bajar la empuñadura, la guarda del disco se sube automáticamente. La guarda retorna a su posición original cuando se completa el corte y se sube la empuñadura.

ADVERTENCIA:

- **No anule ni quite nunca el protector de disco ni el resorte que hay en el protector.** Un disco expuesto como resultado de una guarda anulada puede dar lugar a graves heridas personales durante la operación.

En beneficio de su seguridad personal, mantenga la guarda del disco siempre en buen estado. Cualquier irregularidad en el funcionamiento de la guarda del disco deberá ser corregida inmediatamente. Compruebe para asegurarse de que la guarda retorna accionada por resorte.

ADVERTENCIA:

- **No utilice nunca la herramienta si la guarda del disco o el resorte está dañado, defectuoso o quitado.** La utilización de la herramienta con una guarda dañada, defectuosa o quitada puede dar lugar a graves heridas personales.

Si la guarda de disco transparente se ensucia, o si se adhiere a ella serrín de tal forma que no pueda verse fácilmente el disco y/o la pieza de trabajo, desenchufe la sierra y limpie la guarda cuidadosamente con un paño húmedo. No utilice disolventes ni ningún producto de limpieza a base de petróleo para limpiar la guarda de plástico porque pueden causar daños a la guarda. Si la guarda del disco se ensucia y necesita ser limpiada para su correcta utilización, siga los pasos de abajo:

Con la herramienta apagada y desenchufada, utilice la llave de tubo suministrada para aflojar el perno hexagonal que sujeta la cubierta central. Afloje el perno de cabeza hexagonal girándolo hacia la izquierda y suba la guarda del disco y la cubierta central.

Con la guarda del disco en esta posición, la limpieza puede realizarse de forma más completa y eficiente. Cuando haya completado la limpieza, invierta el procedimiento de arriba para apretar el perno. No quite el resorte que sujeta la guarda del disco. Si la guarda del disco se daña con el paso del tiempo o por la exposición a los rayos ultravioleta, póngase en contacto con el Centro de servicio Makita para adquirir una guarda nueva.

NO ANULE NI QUITÉ LA GUARDA.

Posicionamiento de las placas de corte (Fig. 5, 6 y 7)

Esta herramienta se provee con placas de corte en la base giratoria para minimizar el desgarro en el lado de salida de un corte. Las placas de corte se ajustan en fábrica para que el disco de sierra no las toque. Antes de usar la herramienta, ajuste las placas de corte de la forma siguiente:

En primer lugar, desenchufe la herramienta. Afloje todos los tornillos (2 en cada lado derecho e izquierdo) que sujetan las placas de corte. Apriételos otra vez pero solamente hasta el punto en el que las placas de corte puedan seguir moviéndose fácilmente con la mano. Baje la empuñadura completamente y empuje hacia dentro el pasador de tope para bloquear la empuñadura en la posición bajada. Afloje el tornillo de fijación girándolo hacia la izquierda que sujeta las barras deslizables superiores y también empuje hacia delante la palanca de bloqueo que sujeta las barras deslizables inferiores. Tire del carro hacia usted completamente. Ajuste las placas de corte de forma que justamente hagan contacto con los laterales de los dientes del disco. Apriete los tornillos delanteros (no los apriete mucho). Empuje el carro hacia la guía lateral completamente y ajuste las placas de corte de forma que justamente hagan contacto con los laterales de los dientes del disco. Apriete los tornillos traseros (no los apriete mucho).

Después de ajustar las placas de corte, suelte el pasador de tope y suba la empuñadura. Después apriete todos los tornillos firmemente.

AVISO:

- **Después de ajustar el ángulo de bisel asegúrese de que las placas de corte están ajustadas debidamente.** El correcto ajuste de las placas de corte ayudará a proveer un apoyo adecuado de la pieza de trabajo reduciendo al mínimo el desgarro de la pieza de trabajo.

Mantenimiento de la capacidad de corte máxima (Fig. 8, 9 y 10)

Esta herramienta ha sido ajustada en fábrica para proporcionar la capacidad de corte máxima con un disco de sierra de 260 mm.

Desenchufe la herramienta antes de intentar hacer cualquier ajuste.

Cuando instale un disco nuevo, compruebe siempre la posición del límite inferior del disco y, si es necesario, ajústela de la forma siguiente:

En primer lugar, desenchufe la herramienta. Baje la palanca de tope para posicionar el disco de sierra como se muestra en la figura. Empuje el carro hacia la guía lateral completamente y baje la empuñadura completamente. Utilizando la llave de tubo, gire el perno de ajuste hasta que la periferia del disco quede ligeramente por debajo de la superficie superior de la base giratoria en el punto donde la cara delantera de la guía lateral converge con la superficie superior de la base giratoria.

Con la herramienta desenchufada, gire el disco con la mano mientras sujeta la empuñadura bajada completamente para asegurarse de que el disco no toca ninguna parte de la base inferior. Reajuste ligeramente, si es necesario.

Después de hacer el ajuste, vuelva a poner siempre la palanca de tope en la posición original girándola hacia la izquierda.

ADVERTENCIA:

- **Después de instalar un disco nuevo y con la herramienta desenchufada, asegúrese siempre de que el disco no haga contacto con ninguna parte de la base inferior cuando la empuñadura sea bajada completamente.** Si un disco hace contacto con la base puede ocasionar un retroceso brusco y dar lugar a graves heridas personales.

Brazo de tope (Fig. 11)

La posición inferior máxima del disco puede ajustarse fácilmente con el brazo de tope. Para ajustarla, gire el brazo de tope en el sentido de la flecha como se muestra en la figura. Ajuste el tornillo de fijación de forma que el disco se pare en la posición deseada cuando baje completamente la empuñadura.

Ajuste del ángulo de inglete (Fig. 12)

Empuje el mango de forma que las levas se accionen y gírelo hacia la derecha hasta que se detenga. Gire la base giratoria a la vez que presiona hacia abajo la palanca de bloqueo. Cuando haya movido el mango a la posición donde el puntero apunta al ángulo deseado en la escala de inglete, gire el mango 90° hacia la izquierda para bloquear la base giratoria.

PRECAUCIÓN:

- Después de cambiar el ángulo de inglete, sujete siempre la base giratoria girando el mango 90° hacia la izquierda.

AVISO:

- Cuando gire la base giratoria, asegúrese de subir la empuñadura completamente.

Ajuste del ángulo de bisel (Fig. 13, 14 y 15)

Para ajustar el ángulo de bisel, afloje la palanca de la parte trasera de la herramienta moviéndola hacia la izquierda. Empuje la palanca de enganche completamente hacia delante como se muestra en la figura mientras sostiene el peso de la cabeza de la sierra a fin de liberar la presión del pasador de bloqueo.

Cuando vaya a inclinar el carro hacia la derecha, inclínelo ligeramente hacia la izquierda después de aflojar la palanca y pulse el botón de liberación. Teniendo presionado el botón de liberación, incline el carro hacia la derecha.

Incline el disco hasta que el puntero apunte hacia el ángulo deseado en la escala de bisel. Después apriete la palanca hacia la derecha para sujetar el brazo.

Cuando la palanca de enganche sea halada hacia la parte frontal de la herramienta, el disco de sierra puede ser bloqueado utilizando detenciones de retención en los ángulos 22,5° y 33,9° de la derecha e izquierda en relación con la superficie de la base.

Cuando la palanca de enganche sea empujada hacia la parte trasera de la sierra como se muestra en la figura, el disco de sierra puede ser bloqueado en cualquier ángulo que se desee dentro del rango de ángulo de bisel especificado.

PRECAUCIÓN:

- Después de cambiar ángulo de bisel, sujete siempre el brazo apretando la palanca hacia la derecha.

AVISO:

- Cuando incline el disco de sierra asegúrese de que la empuñadura esté completamente subida.
- Cuando quiera cambiar el ángulo de bisel, asegúrese de posicionar las placas de corte debidamente como se explica en la sección "Posicionamiento de las placas de corte".

Ajuste de bloqueo de deslizamiento (Fig. 16)

Para bloquear la barra deslizante inferior, tire de la palanca de bloqueo hacia la parte frontal de la herramienta.

Para bloquear la barra deslizante superior, gire el tornillo de fijación hacia la derecha.

Accionamiento del gatillo interruptor

Para países europeos (Fig. 17)

Para evitar que el gatillo interruptor pueda ser apretado accidentalmente, se ha provisto un botón de desbloqueo. Para encender la herramienta, empuje la palanca hacia la izquierda, meta el botón de bloqueo del encendido y luego apriete el gatillo. Suelte el gatillo interruptor para parar.

ADVERTENCIA:

- **Antes de enchufar la herramienta, compruebe siempre para asegurarse de que el gatillo interruptor se acciona debidamente y regresa a la posición "OFF" cuando se suelta. No apriete con fuerza el gatillo interruptor sin presionar hacia dentro el botón de desbloqueo. Podría romper el interruptor.** La utilización de una herramienta con un interruptor que no se acciona debidamente puede dar lugar a la pérdida de control y graves heridas personales.

En el gatillo interruptor se ha provisto un agujero para insertar un candado a fin de bloquear la herramienta en posición apagada.

Para todos los países excepto los europeos (Fig. 18)

Para evitar que el gatillo interruptor pueda ser apretado accidentalmente, se ha provisto un botón de desbloqueo. Para poner en marcha la herramienta, presione hacia dentro el botón de desbloqueo y apriete el gatillo interruptor. Suelte el gatillo interruptor para parar.

ADVERTENCIA:

- **Antes de enchufar la herramienta, compruebe siempre para asegurarse de que el gatillo interruptor se acciona debidamente y regresa a la posición "OFF" cuando se suelta. No apriete con fuerza el gatillo interruptor sin presionar hacia dentro el botón de desbloqueo. Podría romper el interruptor.** La utilización de una herramienta con un interruptor que no se acciona debidamente puede dar lugar a la pérdida de control y graves heridas personales.

En el gatillo interruptor se ha provisto un agujero para insertar un candado a fin de bloquear la herramienta en posición apagada.

ADVERTENCIA:

- **No utilice un candado con un fuste o cable de menos de 6,35 mm de diámetro.** Un fuste o cable más pequeño podrá no bloquear debidamente la herramienta en la posición apagada y es posible que se produzca una puesta en marcha involuntaria dando lugar a graves heridas personales.
- **No utilice NUNCA la herramienta si el gatillo interruptor no funciona perfectamente bien.** Cualquier herramienta con un interruptor que no funciona es MUY PELIGROSA y deberá ser reparada antes de seguir utilizándola o podrán producirse graves heridas personales.
- Por su propia seguridad, esta herramienta está equipada con un botón de desbloqueo que impide que la herramienta pueda ser puesta en marcha sin querer. No utilice NUNCA la herramienta si se pone en marcha cuando usted simplemente aprieta el gatillo interruptor sin presionar el botón de desbloqueo. Un interruptor con necesidad de reparación puede dar lugar a una puesta en marcha involuntaria y a graves heridas personales. Lleve la herramienta a un centro de servicio Makita para que le hagan las reparaciones apropiadas ANTES de seguir utilizándola.
- No anule NUNCA la función del botón de desbloqueo sujetándolo con cinta adhesiva o alguna otra manera. Un interruptor con un botón de desbloqueo anulado puede dar lugar a una puesta en marcha involuntaria y a graves heridas personales.

Encendido de las lámparas (Fig. 19)

Para los modelos LS1016F y LS1016FL solamente

PRECAUCIÓN:

- Esta no es una luz impermeable. No lave la luz en agua ni la utilice en un lugar con lluvia o mojado. El hacerlo podrá ocasionar una descarga eléctrica y humos.
- No toque la lente de la luz, porque estará muy caliente mientras esté encendida o poco después de haberla apagado. Si la toca podrá producirle quemaduras en el cuerpo.
- No dé golpes a la luz, porque podrá producirle daños o acortar el tiempo de servicio de la misma.
- No mantenga el foco de la luz dirigido hacia sus ojos. Ello podría producir daños a sus ojos.

- No cubra la luz con ropas, cartón, cartulina u objetos similares mientras esté encendida, porque podrá ocasionar un incendio o fuego.

Para encender la luz, presione la posición superior (I) del interruptor. Para apagar la luz, presione la posición inferior (O) del interruptor.

Mueva la luz para cambiar el área de alumbrado.

NOTA:

- Utilice un paño seco para limpiar la suciedad de la lente de la lámpara. Tenga cuidado de no rayar la lente de la luz, porque podrá reducirse la iluminación.

Función electrónica

Control constante de la velocidad

- La herramienta está provista de un control de velocidad electrónico que ayuda a mantener una velocidad de giro del disco constante incluso bajo carga. Una velocidad de giro del disco constante dará lugar a un corte muy uniforme.

Función de inicio suave

- Esta función permite un arranque suave de la herramienta limitando la torsión del arranque.

Accionamiento del rayo láser

Para los modelos LS1016L y LS1016FL solamente

PRECAUCIÓN:

- No mire nunca directamente al rayo láser. El rayo láser directo puede dañar sus ojos.
- **RADIACIÓN LÁSER. NO SE QUEDE MIRANDO AL RAYO LÁSER NI LO VEA DIRECTAMENTE CON INSTRUMENTOS ÓPTICOS. PRODUCTO LÁSER CLASE 2M.**

Para encender el rayo láser, presione la posición superior (I) del interruptor. Para apagar el rayo láser, presione la posición inferior (O) del interruptor. **(Fig. 20)**

La línea láser puede moverse tanto hacia el lado izquierdo como el derecho del disco ajustando el tornillo de ajuste de la forma siguiente. **(Fig. 21)**

1. Afloje el tornillo de ajuste girándolo hacia izquierda.
2. Con el tornillo de ajuste aflojado, deslice el tornillo de ajuste hacia la derecha o hacia la izquierda a tope.
3. Apriete el tornillo de ajuste firmemente en la posición donde deje de deslizarse.

La línea láser se ajusta en fábrica de forma que está posicionada en 1 mm desde la superficie lateral del disco (posición de corte).

NOTA:

- Cuando la línea láser aparezca débil y difícil de ver debido a la luz solar directa, reubique el área de trabajo a un lugar donde haya menos luz solar directa.

Alineación de la línea láser (Fig. 22)

La línea láser se puede cambiar al lado derecho o izquierdo del disco de acuerdo con las aplicaciones de corte. Consulte la explicación titulada "Accionamiento del rayo láser" referente a su método de cambio.

NOTA:

- Cuando quiera alinear la línea de corte con la línea láser en el lado de la guía lateral en corte compuesto (ángulo de bisel de 45 grados y ángulo de inglete derecho de 45 grados), utilice una guarnición de madera contra la guía lateral.

A) Cuando obtenga el tamaño correcto en el lado izquierdo de la pieza de trabajo

- Cambie la línea láser al lado izquierdo del disco.

B) Cuando obtenga el tamaño correcto en el lado derecho de la pieza de trabajo

- Cambie la línea láser al lado derecho del disco.

Alinee la línea de corte de su pieza de trabajo con la línea láser.

MONTAJE

ADVERTENCIA:

- **Asegúrese siempre de que la herramienta esté apagada y desenchufada antes de intentar realizar cualquier trabajo en ella.** El no apagar y desenchufar la herramienta puede dar lugar a graves heridas personales.

Almacenamiento de la llave de tubo (Fig. 23)

La llave de tubo se almacena como se muestra en la figura.

Cuando se necesite, la llave de tubo se puede extraer del portallaves.

Después de utilizar la llave de tubo, puede almacenarla volviéndola a poner en el portallaves.

Instalación o desmontaje del disco de sierra

ADVERTENCIA:

- **Asegúrese siempre de que la herramienta esté apagada y desenchufada antes de instalar o desmontar el disco.** Una puesta en marcha involuntaria de la herramienta puede dar lugar a graves heridas personales.
- **Utilice solamente la llave de tubo Makita provista para instalar o desmontar el disco.** El no utilizar la llave puede dar lugar a un apriete excesivo o insuficiente del perno hexagonal y a graves heridas personales.

Bloquee la empuñadura en la posición levantada empujando hacia dentro el pasador de tope. **(Fig. 24)**

Para desmontar el disco, afloje el perno hexagonal que sujeta la cubierta central girándolo hacia la izquierda utilizando la llave de tubo. Suba la guarda del disco y la cubierta central. **(Fig. 25)**

Presione el bloqueo del eje para bloquear el eje y afloje el perno de cabeza hexagonal girándolo hacia la derecha con la llave de tubo. Después quite el perno de cabeza hexagonal, la brida exterior y el disco. **(Fig. 26)**

NOTA:

- Si quita la brida interior asegúrese de instalarla en el eje con su protuberancia orientada hacia afuera del disco. Si la brida está instalada incorrectamente rozará contra la máquina.

ADVERTENCIA:

- **Antes de montar el disco en el eje, asegúrese siempre de que esté instalado entre las bridas interior y exterior el anillo correcto para el agujero del disco que vaya a utilizar.** La utilización de un anillo incorrecto para el agujero del disco puede dar lugar a un montaje inapropiado del disco causando movimiento y peligrosa vibración del disco resultando en la posible pérdida del control durante la operación y en graves heridas personales.

Para instalar el disco, móntelo con cuidado en el eje, asegurándose de que la dirección de la flecha de la superficie del disco coincida con la dirección de la flecha de la caja del disco.

Instale la brida exterior y el perno de cabeza hexagonal, y después apriete el perno de cabeza hexagonal con la llave de tubo (rosca hacia la izquierda) firmemente girándolo hacia la izquierda a la vez que presiona el bloqueo del eje. (Fig. 27 y 28)

Vuelva a poner la guarda del disco y la cubierta central en sus posiciones originales. Después apriete el perno de cabeza hexagonal girándolo hacia la derecha para sujetar la cubierta central. Suelte la empuñadura de la posición levantada tirando del pasador de tope. Baje la empuñadura para asegurarse de que la guarda del disco se mueve debidamente. Asegúrese de que el bloqueo del eje haya soltado el eje antes de hacer el corte. (Fig. 29)

Bolsa de polvo (Fig. 30)

La utilización de la bolsa de polvo permite realizar operaciones de corte más limpias y recoger más fácilmente el polvo. Para colocar la bolsa de polvo, encájela en la boquilla de serrín.

Cuando la bolsa de polvo esté medio llena, quítela de la herramienta y extraiga el cierre. Vacíe la bolsa de polvo golpeándola ligeramente con objeto de extraer las partículas adheridas en el interior para que no impidan la posterior recogida de polvo.

NOTA:

- Si conecta un aspirador a su sierra, podrá realizar operaciones más limpias.

Caja de polvo (accesorio opcional) (Fig. 31, 32 y 33)

Inserte la caja de polvo en la boquilla de serrín.

Vacíe la caja de polvo cuando sea necesario.

Para vaciar la caja de polvo, abra la cubierta empujando el botón y retire el serrín. Vuelva a poner la cubierta en la posición original y bloquéela en su sitio. Puede quitar fácilmente la caja de polvo agarrándola cerca de la boquilla de serrín en la herramienta y tirando de ella hacia fuera a la vez que la gira.

NOTA:

- Si conecta un aspirador Makita a esta herramienta, podrá realizar operaciones más limpias.

AVISO:

- Vacíe la caja de polvo antes de que el nivel de serrín recogido llegue a la sección del cilindro.

Sujeción de la pieza de trabajo

ADVERTENCIA:

- **Es muy importante sujetar siempre la pieza de trabajo correctamente con el tipo apropiado de mordaza o topes de moldura corona.** El no hacerlo puede dar lugar a graves heridas personales y ocasionar daños a la herramienta y/o la pieza de trabajo.
- **Después de una operación de corte no suba el disco hasta que se haya parado completamente.** La subida de un disco girando por inercia puede dar lugar a graves heridas personales y daños a la pieza de trabajo.
- **Cuando corte una pieza de trabajo que sea más larga que la base de apoyo de la sierra, el material deberá ser apoyado en toda su longitud más allá de la base de apoyo y a la misma altura para mantener el material nivelado.** Un apoyo apropiado de la pieza de trabajo ayudará a evitar que el disco se atranque y que se produzca un posible retroceso brusco que puede dar lugar a graves heridas personales. No dependa únicamente de la mordaza vertical y/o mordaza horizontal para sujetar la pieza de trabajo. El material fino tiende a combarse. Apoye la pieza de trabajo en toda su longitud para evitar que el disco se atranque y que posiblemente se produzca un RETROCESO BRUSCO. (Fig. 34)

Ajuste de la guía lateral (GUÍAS DESLIZABLES que consta de las guías superior e inferior)

ADVERTENCIA:

- Antes de utilizar la herramienta, asegúrese de que las guías superior e inferior están firmemente sujetadas.
- **Antes de hacer un corte en bisel, asegúrese de que ninguna parte de la herramienta, especialmente el disco, hace contacto con las guías superior e inferior cuando baje o suba la empuñadura completamente a cualquier posición y mientras tira o empuja el carro a lo largo de su rango de recorrido completo.** Si la herramienta o el disco hacen contacto con la guía lateral podrá dar lugar a un retroceso brusco o a un movimiento inesperado del material y graves heridas personales.

Las guías inferiores se pueden mover hacia dentro o afuera aflojando los tornillos de apriete. (Fig. 35)

Al mover hacia dentro las guías inferiores aparecerá un área de indicación roja y al moverlas hacia fuera desaparecerá.

Las guías superiores se pueden quitar o mover hacia dentro y hacia afuera aflojando las palancas. (Fig. 36)

En caso de corte en bisel, ajuste las posiciones de las guías inferior y superior de forma que estén lo más cerca posible del disco como sea posible para obtener el máximo apoyo de la pieza de trabajo, y asegúrese de que ninguna parte de la herramienta, especialmente el disco, hace contacto con las guías superior e inferior cuando baje o suba la empuñadura completamente a cualquier posición y tire o empuje el carro a tope en la posición más baja. (Fig. 37)

Antes de realizar operaciones de corte, haga una prueba con la sierra apagada y desenchufada, después compruebe el espacio libre entre las guías y las partes móviles.

Antes de realizar operaciones de corte, sujete firmemente las guías inferiores apretando los tornillos de apriete y las guías superiores apretando las palancas.

Cuando haya completado las operaciones de corte en bisel, no se olvide de volver a poner las guías superiores en la posición original y retornarlas.

Mordaza vertical (Fig. 38)

La mordaza vertical se puede instalar en dos posiciones tanto en el lado izquierdo como en el derecho de la base. Inserte la barra de la mordaza en el agujero de la base.

Posicione el brazo de la mordaza de acuerdo con el grosor y forma de la pieza de trabajo y sujete el brazo de la mordaza apretando el tornillo. Si el tornillo que sujeta el brazo de la mordaza toca el carro, instale el tornillo en el lado opuesto del brazo de la mordaza. Asegúrese de que ninguna parte de la herramienta toque la mordaza cuando baje la empuñadura completamente o tire o empuje el carro a tope. Si alguna parte toca la mordaza, ponga la mordaza en otro sitio.

Presione la pieza de trabajo de forma que quede plana contra la guía lateral y la base giratoria. Ponga la pieza de trabajo en la posición de corte deseada y sujétela firmemente apretando el pomo de la mordaza.

El girar el pomo de la mordaza 90° hacia la izquierda permite que éste pueda ser movido hacia arriba o abajo, facilitando el rápido ajuste de la pieza de trabajo. Para sujetar la pieza de trabajo después del ajuste, gire el pomo de la mordaza hacia la derecha.

ADVERTENCIA:

- **La pieza de trabajo deberá estar sujeta firmemente contra la base giratoria y la guía lateral con la mordaza durante todas las operaciones.** Si la pieza de trabajo no está sujeta debidamente contra la guía el material podrá moverse durante la operación de corte ocasionando posibles daños al disco, haciendo que el material salga lanzado y perder el control dando lugar a graves heridas personales.

Mordaza horizontal (accesorio opcional) (Fig. 39 y 40)

La mordaza horizontal se puede instalar en dos posiciones tanto en el lado izquierdo como en el derecho de la base.

Cuando quiera hacer cortes en inglete de más de 15°, instale la mordaza horizontal en el lado opuesto a la dirección en la que vaya a ser girada la base giratoria.

Poniendo la tuerca de la mordaza hacia la izquierda, la mordaza se suelta, y se puede mover rápidamente hacia dentro y afuera. Para sujetar la pieza de trabajo, empuje el pomo de la mordaza hacia delante hasta que la placa de la mordaza haga contacto con la pieza de trabajo y después ponga la tuerca de la mordaza hacia la derecha. Después gire el pomo de la mordaza hacia la derecha para sujetar la pieza de trabajo.

La anchura máxima de la pieza de trabajo que se puede sujetar con la mordaza horizontal es de 215 mm.

ADVERTENCIA:

- **Gire siempre la tuerca de la mordaza hacia la derecha hasta que la pieza de trabajo esté sujeta debidamente.** Si la pieza de trabajo no está sujeta debidamente el material podrá moverse durante la operación de corte ocasionando posibles daños al disco, haciendo que el material salga lanzado y perder el control dando lugar a graves heridas personales.
- Cuando corte piezas de trabajo finas, tales como tablas de resguardo, contra la guía, utilice siempre la mordaza horizontal.

Soportes (accesorio opcional) (Fig. 41)

Los soportes se pueden instalar en cualquiera de los lados como medio útil para sujetar piezas de trabajo horizontalmente. Deslice las barras de los soportes dentro de los agujeros de la base y ajuste su longitud de acuerdo con la pieza de trabajo que quiera sujetar. Después apriete los soportes firmemente con los tornillos.

ADVERTENCIA:

- **Apoye siempre una pieza de trabajo larga de forma que quede nivelada con la superficie superior de la base giratoria para poder realizar un corte preciso y evitar una peligrosa pérdida de control de la herramienta.** Un apoyo apropiado de la pieza de trabajo ayudará a evitar que el disco se atranque y un posible retroceso brusco que puede dar lugar a graves heridas personales.

OPERACIÓN

AVISO:

- Antes de usar la herramienta, asegúrese de soltar la empuñadura de la posición bajada sacando el pasador de tope.
- No aplique presión excesiva en la empuñadura cuando corte. Una fuerza excesiva podrá resultar en una sobrecarga al motor y/o reducción de la eficacia de corte. Empuje hacia abajo la empuñadura con únicamente la fuerza necesaria para cortar suavemente y sin reducir significativamente la velocidad del disco.
- Presione hacia abajo la empuñadura suavemente para realizar el corte. Si presiona hacia abajo la empuñadura con fuerza o si aplica presión lateral, el disco vibrará y dejará una marca (marca de sierra) en la pieza de trabajo y la precisión del corte se verá afectada.
- Para realizar un corte deslizando la herramienta, empuje suavemente el carro hacia la guía lateral sin parar. Si se para el movimiento del carro durante el corte, quedará una marca en la pieza de trabajo y la precisión de corte se deteriorará.

ADVERTENCIA:

- **Asegúrese de que el disco no esté tocando la pieza de trabajo, etc., antes de activar el interruptor.** El encender la herramienta con el disco haciendo contacto con la pieza de trabajo puede dar lugar a un retroceso brusco y graves heridas personales.

1. Corte por presión (cortado de piezas pequeñas) (Fig. 42)

Pueden cortarse piezas de trabajo de hasta 68 mm de altura y 160 mm de anchura de la forma siguiente.

Después de girar la palanca de tope hacia la derecha y deslizar el carro hasta la posición que desea, empuje el carro completamente hacia la guía lateral y apriete el tornillo de fijación girándolo hacia la derecha y tire de la palanca de bloqueo hacia la parte frontal de la sierra para sujetar el carro. Sujete la pieza de trabajo correctamente con el tipo apropiado de mordaza o topes de molidura corona.

Encienda la herramienta sin que el disco esté tocando nada y espere hasta que el disco adquiera plena velocidad antes de bajarlo. Después baje suavemente la empuñadura hasta la posición totalmente bajada para cortar la pieza de trabajo. Cuando haya completado el corte, apague la herramienta y **ESPERE HASTA QUE LA HOJA DE SIERRA SE HAYA DETENIDO COMPLETAMENTE** antes de retornar la hoja de sierra a su posición completamente elevada.

ADVERTENCIA:

- **Apretete firmemente el tornillo de fijación hacia la derecha y tire de la palanca de bloqueo hacia la parte frontal de la sierra de forma que el carro no se mueva durante la operación.** Un apretado insuficiente del tornillo de fijación puede ocasionar un posible retroceso brusco que puede dar lugar a graves heridas personales.

2. Corte de deslizamiento (empujando) (corte de superficies anchas) (Fig. 43 y 44)

Afloje el tornillo de fijación girándolo hacia la izquierda y empuje también la palanca de bloqueo hacia delante de forma que el carro pueda deslizarse libremente. Sujete la pieza de trabajo con el tipo de mordaza apropiado.

Tire del carro hacia usted completamente. Encienda la herramienta sin que el disco esté tocando nada y espere hasta que el disco adquiera plena velocidad. Presione hacia abajo la empuñadura y EMPUJE EL CARRO HACIA LA GUÍA LATERAL Y A TRAVÉS DE LA PIEZA DE TRABAJO. Cuando haya completado el corte, apague la herramienta y ESPERE HASTA QUE EL DISCO SE HAYA PARADO COMPLETAMENTE antes de devolver el disco a su posición completamente elevada.

ADVERTENCIA:

- **Siempre que realice un corte de deslizamiento, primero tire del carro hacia usted completamente y presione la empuñadura a tope hacia abajo, después empuje el carro hacia la guía lateral. No inicie nunca el corte sin haber tirado del carro completamente hacia usted.** Si realiza el corte de deslizamiento sin haber tirado del carro completamente hacia usted podrá producirse un retroceso brusco inesperado y resultar en graves heridas personales.
- **No intente nunca realizar un corte de deslizamiento tirando del carro hacia usted.** Si tira del carro hacia usted durante el corte podrá ocasionar un retroceso brusco inesperado resultando en posibles graves heridas personales.
- No realice nunca el corte de deslizamiento con la empuñadura bloqueada en la posición bajada.
- **No afloje nunca el fijador que sujeta el carro mientras el disco esté girando. Podría ocasionarle heridas graves.** Un carro suelto mientras corta podrá ocasionar un retroceso brusco inesperado resultando en posibles graves heridas personales.

3. Corte en inglete

Consulte la sección "Ajuste del ángulo de inglete" explicada más atrás.

4. Corte en bisel (Fig. 45)

Afloje la palanca e incline el disco para establecer el ángulo de bisel (Consulte la sección "Ajuste del ángulo de bisel" explicada más atrás). Asegúrese de apretar la palanca firmemente para sujetar de forma segura el ángulo de bisel seleccionado. Sujete la pieza de trabajo con una mordaza. Asegúrese de que el carro esté empujado completamente hacia usted. Encienda la herramienta sin que el disco esté tocando nada y espere hasta que el disco adquiera plena velocidad. Después baje con cuidado la empuñadura hasta la posición completamente bajada mientras aplica presión en dirección paralela al disco y EMPUJE EL CARRO HACIA LA GUÍA LATERAL PARA CORTAR LA PIEZA DE TRABAJO. Cuando haya completado el corte, apague la herramienta y ESPERE HASTA QUE EL DISCO SE HAYA PARADO COMPLETAMENTE antes de devolver el disco a su posición completamente elevada.

ADVERTENCIA:

- **Después de ajustar el disco para un corte en bisel, antes de utilizar la herramienta asegúrese de que el carro y el disco podrán desplazarse libremente a todo lo largo de rango del corte que piensa hacer.** Una interrupción del desplazamiento del carro o el disco durante la operación de corte puede dar lugar a un retroceso brusco y a graves heridas personales.
- **Mientras esté haciendo un corte en bisel mantenga las manos alejadas de la trayectoria del disco.** El ángulo del disco puede confundir al operario sobre la trayectoria real del disco durante el corte y el contacto con el disco dará lugar a graves heridas personales.
- **El disco no deberá ser subido hasta que se haya parado completamente.** Durante un corte en bisel la pieza cortada podrá detenerse contra el disco. Si sube el disco mientras está girando, la pieza cortada podrá ser expulsada por el disco haciendo que el material se fragmente lo que puede dar lugar a graves heridas personales.

AVISO:

- Cuando presione hacia abajo la empuñadura, aplique fuerza paralela a la hoja de sierra. Si la fuerza es aplicada perpendicularmente a la base giratoria o si se cambia la dirección de la presión durante el corte, la precisión de corte se deteriorará.
- Antes de hacer un corte en bisel, es posible que sea necesario hacer el ajuste de las guías superior e inferior. Consulte la sección titulada "Ajuste de la guía lateral".

5. Corte compuesto

El corte compuesto es el proceso por el cual se hace un ángulo de bisel al mismo tiempo que se está cortando un ángulo de inglete en una pieza de trabajo. El corte compuesto se puede realizar en el ángulo mostrado en la tabla.

Ángulo de inglete	Ángulo de bisel
Izquierdo y derecho 0° – 45°	Izquierdo y derecho 0° – 45°

Cuando quiera realizar un corte compuesto, consulte las explicaciones de "Corte por presión", "Corte de deslizamiento", "Corte en inglete" y "Corte en bisel".

6. Corte de molduras corona y cóncavas

Las molduras corona y cóncavas pueden cortarse en una sierra ingletadora mixta con las molduras apoyadas horizontalmente en la base giratoria.

Existen dos tipos comunes de molduras corona y un tipo de moldura cóncava; moldura corona de ángulo mural de 52/38°, moldura corona de ángulo mural de 45° y moldura cóncava de ángulo mural de 45°. Consulte las ilustraciones. (Fig. 46)

Existen juntas de moldura corona y cóncava que han sido hechas para encajar en esquinas "interiores" de 90° ((1) y (2) en las Fig. 47 y 48) y esquinas "exteriores" de 90° ((3) y (4) en las Fig. 47 y 48).

Medición

Mida la longitud de la pared y ajuste la pieza de trabajo en la mesa para cortar el borde de contacto con la pared a la longitud deseada. Asegúrese siempre de que la longitud cortada **de la parte trasera de la pieza** de trabajo es igual que la longitud de la pared. Ajuste la longitud de corte para el ángulo de corte. Utilice siempre varias piezas para realizar cortes de prueba a fin de comprobar los ángulos de corte.

Cuando corte molduras corona y cóncavas, ajuste el ángulo de bisel y el ángulo de inglete como se indica en la tabla (A) y posicione las molduras sobre la superficie superior de la base de la sierra como se indica en la tabla (B).

En el caso de corte en bisel izquierdo

Tabla (A)

	Posición de la moldura en las Fig. 47 y 48	Ángulo de bisel		Ángulo de inglete	
		Tipo 52/38°	Tipo 45°	Tipo 52/38°	Tipo 45°
Para esquina interior	(1)	Izquierdo 33,9°	Izquierdo 30°	Derecho 31,6°	Derecho 35,3°
	(2)			Izquierdo 31,6°	Izquierdo 35,3°
Para esquina exterior	(3)			Derecho 31,6°	Derecho 35,3°
	(4)			Derecho 31,6°	Derecho 35,3°

Tabla (B)

	Posición de la moldura en las Fig. 47 y 48	Borde de moldura contra la guía lateral	Pieza acabada
Para esquina interior	(1)	El borde de contacto con el techo debe estar contra la guía lateral.	La pieza acabada estará en el lado izquierdo del disco.
	(2)	El borde de contacto con la pared debe estar contra la guía lateral.	
Para esquina exterior	(3)	El borde de contacto con el techo debe estar contra la guía lateral.	La pieza acabada estará en el lado derecho del disco.
	(4)	El borde de contacto con el techo debe estar contra la guía lateral.	

Ejemplo:

En el caso de corte de moldura corona tipo 52/38° para posición (1) en las **Fig. 47 y 48**:

- Incline y sujete el ajuste de ángulo de bisel para 33,9° IZQUIERDO.
- Ajuste y sujete el ajuste de ángulo de inglete para 31,6° DERECHO.
- Apoye la moldura corona con su superficie posterior vasta (oculta) hacia abajo sobre la base giratoria con su BORDE DE CONTACTO CON EL TECHO contra la guía lateral en la sierra.
- La pieza acabada a utilizar estará siempre en el lado IZQUIERDO del disco después de haber realizado el corte.

En el caso de corte en bisel derecho

Tabla (A)

	Posición de la moldura en las Fig. 47 y 48	Ángulo de bisel		Ángulo de inglete	
		Tipo 52/38°	Tipo 45°	Tipo 52/38°	Tipo 45°
Para esquina interior	(1)	Derecho 33,9°	Derecho 30°	Derecho 31,6°	Derecho 35,3°
	(2)			Izquierdo 31,6°	Izquierdo 35,3°
Para esquina exterior	(3)			Derecho 31,6°	Derecho 35,3°
	(4)			Derecho 31,6°	Derecho 35,3°

Tabla (B)

	Posición de la moldura en las Fig. 47 y 48	Borde de moldura contra la guía lateral	Pieza acabada
Para esquina interior	(1)	El borde de contacto con la pared debe estar contra la guía lateral.	La pieza acabada estará en el lado derecho del disco.
	(2)	El borde de contacto con el techo debe estar contra la guía lateral.	
Para esquina exterior	(3)	El borde de contacto con la pared debe estar contra la guía lateral.	La pieza acabada estará en el lado izquierdo del disco.
	(4)		

Ejemplo:

En el caso de corte de moldura corona tipo 52/38° para posición (1) en las **Fig. 47 y 48:**

- Incline y sujete el ajuste de ángulo de bisel para 33,9° DERECHO.
- Ajuste y sujete el ajuste de ángulo de inglete para 31,6° DERECHO.
- Apoye la moldura corona con su superficie posterior vasta (oculta) hacia abajo sobre la base giratoria con su BORDE DE CONTACTO CON LA PARED contra la guía lateral en la sierra.
- La pieza acabada a utilizar estará siempre en el lado DERECHO del disco después de haber realizado el corte.

Los topes de moldura corona (accesorios opcionales) permiten hacer cortes de molduras corona más fácilmente sin inclinar el disco de sierra. Instáloselos en la base como se muestra en las figuras. **(Fig. 49 y 50)**

Fig. 49: A ángulo de inglete derecho de 45°

Fig. 50: A ángulo de inglete izquierdo de 45°

Posicione la moldura corona con su BORDE DE CONTACTO CON LA PARED contra la guía lateral y su BORDE DE CONTACTO CON EL TECHO contra los topes de moldura corona como se muestra en la figura **(Fig. 51)**. Ajuste los topes de moldura corona de acuerdo con el tamaño de la moldura corona. Apriete los tornillos para sujetar los topes de moldura corona. Consulte la tabla (C) para el ángulo de inglete.

Tabla (C)

	Posición de la moldura en las Fig. 47 y 48	Ángulo de inglete	Pieza acabada
Para esquina interior	(1)	Derecho 45°	Conserve el lado derecho de disco
	(2)	Izquierdo 45°	Conserve el lado izquierdo de disco
Para esquina exterior	(3)		Derecho 45°
	(4)	Derecho 45°	Conserve el lado izquierdo de disco

7. Corte de extrusión de aluminio

Cuando sujete extrusiones de aluminio, emplee bloques espaciadores o piezas de desecho como se muestra en la **Fig. 52** para evitar que pueda deformarse el aluminio. Emplee un lubricante de cortar cuando corte extrusiones de aluminio para evitar la acumulación de material de aluminio en el disco.

ADVERTENCIA:

- **No intente nunca cortar extrusiones de aluminio gruesas o redondas.** Las extrusiones de aluminio gruesas o redondas pueden resultar difíciles de sujetar y podrán soltarse durante la operación de corte lo que puede dar lugar a la pérdida del control y graves heridas personales.

8. Ranurado (Fig. 53)

Procediendo de la forma siguiente se puede hacer un corte tipo ranura: Ajuste la posición límite inferior del disco utilizando el tornillo y el brazo de tope para limitar la profundidad de corte del disco. Consulte la sección "Brazo de tope" descrita previamente.

Después de ajustar la posición límite inferior del disco, corte ranuras paralelas a lo ancho de la pieza de trabajo utilizando un corte de deslizamiento (empujando) como se muestra en la figura. Después quite con un formón el material que queda entre las ranuras hechas en la pieza de trabajo.

ADVERTENCIA:

- **No intente realizar este tipo de corte utilizando un disco de tipo más grueso o un disco de moldurar.** Si intenta hacer un corte de ranura con un disco más grueso o disco de moldurar podrá resultar en un corte inesperado y a un retroceso brusco que puede dar lugar a graves heridas personales.
- **Asegúrese de volver a poner el brazo de tope en la posición original cuando realice otros cortes que no sean de ranurado.** Si intenta hacer cortes con el brazo de tope en una posición incorrecta podrá resultar en un corte inesperado y a un retroceso brusco que puede dar lugar a graves heridas personales.

Transporte de la herramienta

Asegúrese de que la herramienta esté desenchufada. Sujete el disco a un ángulo de bisel de 0° y la base giratoria al ángulo de inglete recto completo. Sujete las barras de deslizamiento de forma que la barra de deslizamiento inferior quede bloqueada en la posición del carro completamente empujado hacia el operario y las barras superiores queden bloqueadas en la posición del carro completamente empujado hacia la guía lateral (consulte la sección titulada “Ajuste de bloqueo de deslizamiento”). Baje la empuñadura completamente y bloquéela en la posición bajada presionando hacia dentro el pasador de tope. (Fig. 54)

Transporte la herramienta cogiéndola por ambos costados de la base como se muestra en la figura. Si quita los soportes, la bolsa de polvo, etc., podrá transportar la herramienta más fácilmente. (Fig. 55)

ADVERTENCIA:

- **El pasador de tope ha sido pensado solamente para transportar y almacenar la herramienta y no deberá ser utilizado nunca para ninguna operación de corte.** La utilización del pasador de tope para operaciones de corte podrá ocasionar un movimiento inesperado del disco de sierra resultando en un retroceso brusco y graves heridas personales.

PRECAUCIÓN:

- Sujete siempre todas las partes móviles antes de transportar la herramienta. Si algunas partes de la herramienta se mueven o deslizan mientras se transporta podrá producirse una pérdida del control o del equilibrio resultando en heridas personales.

MANTENIMIENTO

ADVERTENCIA:

- **Asegúrese siempre de que la herramienta esté apagada y desenchufada antes de intentar realizar la inspección o el mantenimiento.** El no desenchufar y apagar la herramienta puede resultar en una puesta en marcha involuntaria de la herramienta que puede dar lugar a graves heridas personales.
- **Asegúrese siempre de que el disco esté afilado y limpio para obtener un rendimiento óptimo.** El tratar de hacer un corte con un disco embotado y/o sucio puede ocasionar un retroceso brusco y dar lugar a graves heridas personales.

AVISO:

- No utilice nunca gasolina, bencina, disolvente, alcohol o similares. Podría producir descolocación, deformación o grietas.

Ajuste del ángulo de corte

Esta herramienta sale de fábrica cuidadosamente ajustada y alineada, pero un manejo brusco podría haber afectado la alineación. Si su herramienta no está debidamente alineada, realice lo siguiente:

1. Ángulo de inglete

Empuje el carro hacia la guía lateral y apriete el tornillo de fijación girándolo hacia la derecha y empuje la palanca de bloqueo hacia el frontal de la sierra para sujetar el carro.

Gire el mango hacia la izquierda que sujeta la base giratoria. Gire la base giratoria de forma que el puntero apunte a 0° en la escala de inglete. Después gire la base giratoria ligeramente hacia la derecha y hacia la izquierda para asentarla en la muesca de inglete de 0°. (Déjela tal como está si el puntero no apunta a 0°.) Afloje los pernos hexagonales que sujetan la guía lateral utilizando la llave de tubo.

Baje la empuñadura completamente y bloquéela en la posición bajada presionando hacia dentro el pasador de tope. Escudre el costado del disco con la cara de la guía lateral utilizando una escuadra, cartabón, etc. Después apriete firmemente los pernos hexagonales de la guía lateral en orden comenzando desde el lado derecho. (Fig. 56)

Asegúrese de que el puntero apunta a 0° en la escala de inglete. Si el puntero no apunta a 0°, afloje el tornillo que sujeta el puntero y ajuste el puntero de forma que apunte a 0°. (Fig. 57)

2. Ángulo de bisel

Empuje la palanca de enganche completamente hacia delante para liberar las detenciones de retención.

1) Ángulo de bisel de 0°

Empuje el carro hacia la guía lateral y apriete el tornillo de fijación girándolo hacia la derecha y empuje la palanca de bloqueo hacia el frontal de la sierra para sujetar el carro. Baje la empuñadura completamente y bloquéela en la posición bajada presionando hacia dentro el pasador de tope. Afloje la palanca de la parte posterior de la herramienta. (Fig. 58)

Gire dos o tres vueltas hacia la izquierda el perno de cabeza hexagonal del lado derecho del soporte del brazo para inclinar la hoja de sierra hacia la derecha. (Fig. 59)

Encuadre cuidadosamente la cara de la hoja de sierra con la superficie superior de la base giratoria usando una escuadra, cartabón, etc. girando hacia la derecha el perno hexagonal del lado derecho del soporte del brazo. Luego apriete la palanca firmemente. (Fig. 60) Cerciórese de que el puntero del soporte de brazo indica 0° en la escala de biselado del brazo. Si no indicaran 0°, afloje los tornillos que aseguran los punteros y ajuste los punteros de forma que indiquen 0°. (Fig. 61)

2) Ángulo en bisel de 45° (Fig. 62)

Ajuste el ángulo de bisel de 45° solamente después de haber realizado el ajuste del ángulo de bisel de 0°. Para ajustar el ángulo de bisel de 45°, afloje la palanca e incline el disco completamente hacia la izquierda. Asegúrese de que el puntero del soporte del brazo apunte a 45° en la escala de bisel del brazo. Si el puntero no apunta a 45°, gire el perno de ajuste del ángulo de bisel de 45° izquierdo del costado del brazo hasta que el puntero apunte a 45°.

Para ajustar el ángulo de bisel de 45° derecho, realice el mismo procedimiento que el descrito arriba.

Ajuste de la posición de la línea láser (Fig. 63 y 64)

Para los modelos LS1016L y LS1016FL solamente

ADVERTENCIA:

- Como la herramienta debe estar enchufada mientras se ajusta la línea láser, se deberá tener especial cuidado de no encender la herramienta. Una puesta en marcha involuntaria de la herramienta puede dar lugar a graves heridas personales.

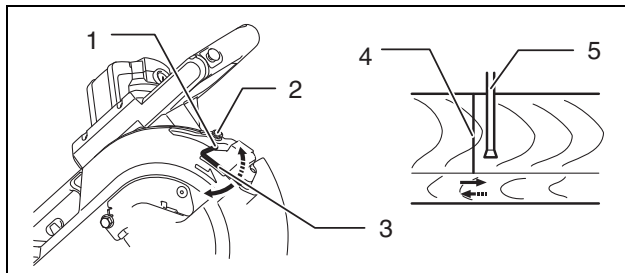
PRECAUCIÓN:

- No mire nunca directamente al rayo láser. La exposición directa de los ojos al haz de luz puede ocasionar graves daños a los ojos.
- RADIACIÓN LÁSER
No se quede mirando al rayo láser.

AVISO:

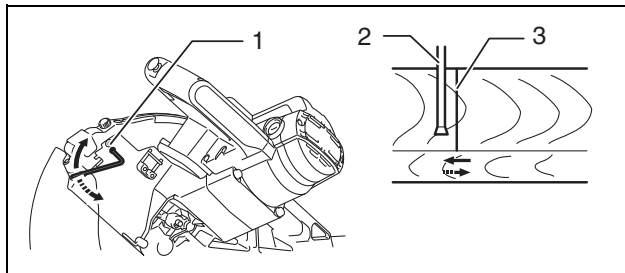
- Tenga en cuenta que los impactos a la herramienta pueden ocasionar una desalineación de la línea láser u ocasionar daños al láser, acortando su vida útil.

Ajuste de la línea láser para el lado izquierdo del disco.



- 1 Tornillo para cambiar el rango móvil del tornillo de ajuste
- 2 Tornillo de ajuste
- 3 Llave hexagonal
- 4 Línea láser
- 5 Disco de sierra

Ajuste de la línea láser para el lado derecho del disco.



- 1 Tornillo de ajuste
- 2 Disco de sierra
- 3 Línea láser

Para ambos ajustes, haga lo siguiente.

1. Asegúrese de que la herramienta esté desenchufada.
2. Trace la línea de corte en la pieza de trabajo y póngala en la base giratoria. En este momento, no sujete la pieza de trabajo con una mordaza o dispositivo de sujeción similar.
3. Baje el disco bajando la empuñadura y simplemente compruebe para ver donde están la línea de corte y la posición del disco. (Decida qué posición quiere cortar en la línea de corte.)

4. Después de decidir la posición correcta de la línea en relación con el disco, vuelva a poner la empuñadura en su posición original. Sujete la pieza de trabajo con la mordaza vertical sin cambiar la pieza de trabajo de la posición precomprobada.
5. Enchufe la herramienta y active el interruptor láser.
6. Ajuste de la posición de la línea láser de la forma siguiente.

La posición de la línea láser se puede cambiar dado que el rango móvil del tornillo de ajuste para el láser se cambia girando los dos tornillos con una llave hexagonal. (El rango móvil de la línea láser ha sido ajustado en fábrica en 1 mm desde la superficie lateral del disco.) Para cambiar el rango móvil de la línea láser a una distancia mayor desde la superficie lateral del disco, gire los dos tornillos hacia la izquierda después de aflojar el tornillo de ajuste. Gire estos dos tornillos hacia la derecha para cambiarla a una distancia más próxima a la superficie lateral del disco después de aflojar el tornillo de ajuste.

Consulte la sección titulada "Accionamiento del rayo láser" y regule el tornillo de ajuste de forma que la línea de corte de su pieza de trabajo quede alineada con la línea láser.

NOTA:

- Compruebe regularmente la posición de la línea láser para mayor precisión.
- Haga que le reparen la herramienta en un Centro de servicio autorizado Makita si ocurre cualquier fallo en la unidad láser.

Limpieza de la lente de la luz láser (Fig. 65 y 66)

Para los modelos LS1016L y LS1016FL solamente

Si la lente de la luz láser se ensucia, o si se adhiere serrín a ella de tal forma que impida ver fácilmente la línea láser, desenchufe la herramienta y quite y limpie la lente de la luz láser cuidadosamente con un paño suave humedecido. No utilice disolventes ni productos de limpieza a base de petróleo para limpiar la lente.

Para quitar la lente de la luz láser, quite el disco antes de quitar la lente de acuerdo con las instrucciones en la sección titulada "Instalación o desmontaje del disco de sierra".

Afloje pero no quite el tornillo que sujeta la lente utilizando un destornillador.

Extraiga la lente como se muestra en la figura.

NOTA:

- Si la lente no saliera, afloje un poco más el tornillo y tire de la lente otra vez sin quitar el tornillo.

Reemplazo de las escobillas de carbón (Fig. 67 y 68)

Extraiga y compruebe las escobillas de carbón regularmente. Reemplácelas cuando se hayan gastado hasta la marca de límite. Mantenga las escobillas de carbón limpias y de forma que entren libremente en el portaescobillas. Ambas escobillas de carbón deberán ser reemplazadas al mismo tiempo. Utilice únicamente escobillas de carbón idénticas.

Utilice un destornillador para quitar los tapones portaescobillas. Extraiga las escobillas gastadas, inserte las nuevas y vuelva a fijar los tapones portaescobillas.

Después de reemplazar las escobillas, enchufe la herramienta y hágale el rodaje a las escobillas haciendo funcionar la herramienta sin carga durante unos 10 minutos. Después compruebe la herramienta mientras está en marcha y la operación del freno eléctrico cuando suelte el gatillo interruptor. Si el freno eléctrico no funciona correctamente, llave la herramienta a un centro de servicio Makita a que se la reparen.

Después de la utilización

- Después de la utilización, limpie las virutas y el polvo adheridos a la herramienta con un paño o similar. Mantenga la guarda del disco limpia de acuerdo con las indicaciones de la sección ya vista titulada "Guarda del disco". Lubrique las partes deslizantes con aceite para máquinas para evitar que se oxiden.
- Cuando guarde la herramienta, tire del carro hacia usted completamente de forma que la barra deslizante se introduzca completamente en la base giratoria.

Para mantener la SEGURIDAD y FIABILIDAD del producto, las reparaciones, y cualquier otra tarea de mantenimiento o ajuste deberán ser realizadas en Centros de servicio autorizados por Makita, empleando siempre repuestos Makita.

ACCESORIOS

ADVERTENCIA:

- **Estos accesorios o acoplamientos están recomendados para utilizar con su herramienta Makita especificada en este manual.** La utilización de cualesquiera otros accesorios o acoplamientos puede dar lugar a graves heridas personales.
- **Utilice el accesorio o acoplamiento Makita solamente para el propósito que han sido diseñados.** El uso indebido de un accesorio o acoplamiento puede dar lugar a graves heridas personales.

Si necesita cualquier ayuda para más detalles en relación con estos accesorios, pregunte a su centro de servicio Makita local.

- Discos de sierra de acero y de carburo

Discos de sierra ingletadora	Para cortes limpios y precisos en varios materiales.
Combinación	Disco de uso general para cortes al hilo, transversales e ingletes rápidos y limpios.
Corte transversal	Para cortes a contrahilo más suaves. Troceados limpiamente a contrahilo.
Cortes transversales limpios	Para cortes sin lijar limpiamente a contrahilo.
Discos de sierra ingletadora para metales no ferrosos	Para ingletes en aluminio, cobre, latón, tubos y otros metales no ferrosos.

- Conjunto de mordaza (Mordaza horizontal)
- Mordaza vertical
- Llave de tubo de 13
- Soporte
- Bolsa de polvo
- Conjunto de tope de moldura corona
- Escuadra
- Caja de polvo
- Llave hexagonal (Para LS1016L y LS1016FL)

Explicação geral

1 Pino de travagem	34 Tampa central	67 Bloqueador de moldura direito (acessório opcional)
2 Perno(s) hexagonal(is)	35 Bloqueio do eixo	68 Bloqueador de moldura esquerdo
3 Resguardo de segurança do disco	36 Caixa do disco de corte	69 Bloqueador de moldura direito
4 Placa de corte	37 Seta	70 Moldura
5 Disco de corte	38 Flange exterior	71 Torno
6 Dente da lâmina	39 Flange interior	72 Bloco espaçador
7 Corte de bisel à esquerda	40 Veio	73 Extrusão de alumínio
8 Corte direito	41 Anel	74 Corte de ranhuras com o disco
9 Corte de bisel à direita	42 Bocal de pó	75 Esquadro
10 Alavanca de trava	43 Saco de pó	76 Escala de esquadria
11 Parafuso	44 Fecho	77 Placa da escala de bisel
12 Perno de ajuste	45 Caixa do pó	78 Parafuso de regulação do ângulo 0°
13 Base giratória	46 Cobertura	79 Placa de escala
14 Alavanca de travagem	47 Botão	80 Perno de regulação a 45° do ângulo de bisel esquerdo
15 Braçadeira deslizante	48 Secção cilíndrica	81 Perno de regulação a 45° do ângulo de bisel direito
16 Face superior da base giratória	49 Serradura	82 Peça de trabalho
17 Periferia do disco	50 Apoio	83 Linha do laser
18 Placa guia	51 Base giratória	84 Torno vertical
19 Parafuso de regulação	52 Parafusos de aperto	85 Chave de parafusos
20 Placa de retenção	53 Guia superior	86 Parafuso (só um)
21 Pega	54 Guia inferior	87 Lentes para a luz laser
22 Came	55 Botão do torno	88 Marca limite
23 Alavanca(s)	56 Braço do torno	89 Tampa do porta escovas
24 Alavanca do fecho	57 Varão do torno	90 Parafuso de trava
25 Placa de escala	58 Placa do torno	91 Interruptor da luz
26 Botão de liberação	59 Porca do torno	92 Luz
27 Ponteiro	60 Suportes	93 Área indicada em vermelho
28 Botão de segurança	61 Moldura do tipo 52/38°	
29 Gatilho do interruptor	62 Moldura do tipo 45°	
30 Furo para o cadeado	63 Sanca do tipo 45°	
31 Interruptor para laser	64 Canto interno	
32 Chave de tubo	65 Canto externo	
33 Suporte da chave	66 Bloqueador de moldura esquerdo (acessório opcional)	

ESPECIFICAÇÕES

Modelo

LS1016/LS1016L/LS1016F/LS1016FL

Diâmetro do disco

Para todos os países não Europeus..... 255 mm – 260 mm

Para países Europeus 260 mm

Diâmetro do orifício


Para todos os países não Europeus..... 25,4 mm

Para países Europeus 30 mm

Capacidades máximas de corte (A x L) com o disco de 260 mm de diâmetro

Ângulo de esquadria	Ângulo de bisel		
	45° (esquerdo)	0°	45° (direito)
0°	42 mm x 310 mm	68 mm x 310 mm	29 mm x 310 mm
	58 mm x 279 mm	91 mm x 279 mm	43 mm x 279 mm
45° (direito e esquerdo)	42 mm x 218 mm	68 mm x 218 mm	29 mm x 218 mm
	58 mm x 197 mm	91 mm x 197 mm	43 mm x 197 mm
52° (direito e esquerdo)	–	68 mm x 190 mm	–
	–	91 mm x 171 mm	–
60° (direito)	–	68 mm x 155 mm	–
	–	91 mm x 139 mm	–

Moldura tipo 45° (utilizando o bloqueador de moldura)	168 mm
Tábuas (H) (utilizando um torno horizontal)	120 mm

Velocidade em vazio (min ⁻¹)	3.200
Tipo Laser (LS1016L, LS1016FL)	Laser Vermelho 650 nm, <1,6mW (Classe Laser 2M)
Dimensões (C x L x A)	718 mm x 640 mm x 671 mm
Peso líquido	
Para todos os países não Europeus	
LS1016	23,6 kg
LS1016L/LS1016F	23,7 kg
LS1016FL	23,8 kg
Para países Europeus	
LS1016	24,1 kg
LS1016L/LS1016F	24,2 kg
LS1016FL	24,3 kg
Classe de segurança	 /II

- Devido a um programa contínuo de pesquisa e desenvolvimento, estas especificações estão sujeitas a alterações sem aviso prévio.
- As especificações podem diferir de país para país.
- Peso de acordo com o Procedimento 01/2003 da EPTA (European Power Tool Association)

Fins a que se destina

Esta ferramenta destina-se a realizar cortes de precisão, rectos e de meia esquadria, em madeira. Com discos de corte apropriados, é possível cortar também alumínio.

Alimentação

A ferramenta só deve ser ligada a uma fonte de alimentação de tensão igual à indicada na placa de características, e só funciona com alimentação CA monofásica. Dispõe de isolamento duplo em conformidade com as normas europeias e pode, portanto, utilizar tomadas sem ligação à terra.

GEA010-1

Avisos gerais de segurança para ferramentas eléctricas

⚠ AVISO! Leia todas os avisos de segurança e todas as instruções. O não cumprimento de todos os avisos e instruções pode originar choque eléctrico, incêndio e/ou ferimentos graves.

Guarde todos os avisos e instruções para futuras referências.

ENB034-6

REGRAS DE SEGURANÇA ADICIONAIS PARA A FERRAMENTA

1. Use óculos de protecção.
2. Mantenha as mãos afastadas da parte cortante do disco. Evite tocar no disco quando este rodar por inércia. Pois, mesmo assim, este pode provocar lesões.
3. Não utilize a serra sem os resguardos de segurança montados.
Verifique se o resguardo de segurança do disco se encontra devidamente fechado antes de cada utilização. Não trabalhe com a serra se o resguardo de segurança do disco não se movimentar livremente e fechar instantaneamente. Nunca fixe nem prenda o resguardo de segurança do disco em posição aberta.

4. **Não efectue qualquer operação com as mãos livres.** A peça a trabalhar tem de estar fixa com segurança à base giratória, e a placa guia ao torno durante todas as operações. Nunca utilize as mãos para segurar a peça a trabalhar.
5. **Nunca toque na periferia cortante do disco.**
6. **Desligue a ferramenta e aguarde que o disco de corte pare antes de movimentar a peça a trabalhar ou antes de alterar a regulação.**
7. **Desligue a ferramenta da tomada antes de mudar o disco ou de proceder a operações de manutenção.**
8. **Prenda as porções moveis antes de transportar a ferramenta.**
9. **O pino de travagem que bloqueia a cabeça de corte é só para fins de transporte e armazenagem e não para operação de corte.**
10. **Não utilize a ferramenta na presença de líquidos ou gases inflamáveis.** O funcionamento eléctrico da ferramenta pode provocar uma explosão e incêndio se essa for exposta a líquidos ou gases inflamáveis.
11. **Verifique cuidadosamente o disco de corte quanto a fissuras ou danos antes da operação. Substitua de imediato o disco se este apresentar fissuras ou danos.**
12. **Utilize exclusivamente as flanges especificadas para esta ferramenta.**
13. **Tenha cuidado para não danificar o eixo, as flanges (especialmente a superfície de instalação) ou o perno. Os danos nestes componentes podem provocar a fractura do disco.**
14. **Certifique-se de que a base giratória está bem fixa, de modo a que não se movimente durante a operação.**
15. **Por razões de segurança, e antes da utilização limpe a bancada de aparas, restos e detritos, etc.**
16. **Evite cortar pregos. Inspeccione a peça a trabalhar e retire todos os pregos antes da operação.**
17. **Certifique-se de que soltou o travão do eixo antes de ligar o interruptor.**
18. **Certifique-se de que, na posição mais baixa, o disco de corte não fica em contacto com a base giratória.**
19. **Agarre na pega com firmeza. Tenha em conta que a serra se movimenta um pouco para cima e para baixo, durante o arranque e a paragem da ferramenta.**

20. Verifique se o disco não está em contacto com a peça a trabalhar antes de ligar o interruptor.
21. Antes de utilizar a ferramenta na peça a trabalhar, deixe-a funcionar em vazio durante algum tempo. Verifique se existem vibrações ou movimento irregular que possam indicar má instalação ou desequilíbrio do disco.
22. Aguarde que o disco atinja a velocidade máxima antes de iniciar o corte.
23. Pare a ferramenta de imediato se notar algo no funcionamento que não seja normal.
24. Não tente bloquear o gatilho na posição ON (Ligado).
25. Mantenha-se atento, especialmente no decorrer de operações repetitivas e monótonas. Não se deixe convencer por uma falsa sensação de segurança. Os discos de corte provocam lesões muito graves.
26. Utilize sempre os acessórios recomendados neste manual. A utilização de acessórios inadequados tais como discos abrasivos podem dar origem a lesões.
27. Utilize a serra apenas para cortar alumínio, madeira ou materiais semelhantes.
28. Ligue as serras de esquadria a um dispositivo de pó, ao serrar.
29. Selecione os discos de corte em função do material a cortar.
30. Tenha cuidado quando fizer rasgos.
31. Substitua a placa de corte quando estiver gasta.
32. Não utilize discos de corte feitos de aço rápido.
33. Algum do pó proveniente da operação contém químicos que provocam cancro, defeitos congénitos ou problemas no aparelho reprodutor. Alguns exemplos desses químicos são:
 - Chumbo de material cuja tinta contenha chumbo
 - Arsénico ou crómio de madeira tratada quimicamente.

O risco a esta exposição varia, dependendo da frequência com que executa este tipo de trabalho. Para reduzir a exposição a estes químicos: trabalhe numa área bem ventilada e utilize equipamento de segurança adequado, como uma máscara contra o pó especialmente concebida para filtrar as partículas microscópicas.
34. Para reduzir o ruído emitido, verifique sempre se o disco de corte está afiado e limpo.
35. O operador tem a formação adequada para utilização, ajuste e manutenção da ferramenta.
36. Utilize discos de corte correctamente afiados. Respeite cuidadosamente as velocidades máxima marcadas no disco de corte.
37. Não retire, da área de corte, aparas ou fragmentos da peça que está a trabalhar enquanto a ferramenta estiver ligada e a cabeça do disco de corte não se encontrar na posição de descanso.
38. Utilize somente os discos de corte recomendados pelo fabricante, os quais estão em conformidade com a norma EN847-1.
39. Utilize luvas para manusear o disco de corte e materiais perigosos (os discos de corte devem ser transportados em um estojo sempre que possível).

40. Se equipada com laser, não é permitido substituir por um tipo de laser diferente. As reparações devem ser efectuadas correctamente, sem falta.

GUARDE ESTAS INSTRUÇÕES

INSTALAÇÃO

Montagem da bancada da serra

A ferramenta é expedida da fábrica com a pega bloqueada na posição baixa por intermédio do pino de travagem. Liberte o pino de travagem pressionando a pega ligeiramente para baixo e puxe o pino de travagem. (Fig. 1)

AVISO:

- **Certifique-se de que a ferramenta não se mova na superfície de suporte.** O movimento da serra de esquadria sobre a superfície de suporte durante o corte pode resultar em perda de controlo e provocar ferimentos pessoais graves.

Esta ferramenta deve ser presa com quatro pernos a uma superfície nivelada e estável utilizando os orifícios para os pernos existentes na base da ferramenta. Isto ajudará a evitar que tombe e possíveis danos. (Fig. 2)

DESCRIÇÃO DO FUNCIONAMENTO

AVISO:

- **Certifique-se sempre de que a ferramenta está desligada e com a ficha retirada da tomada, antes de proceder a afinações ou de verificar o funcionamento respectivo.** Falha em desligar a ferramenta e retirar a ficha da tomada pode provocar o arranque acidental e resultar em ferimentos pessoais graves.

Resguardo de segurança do disco de corte (Fig. 3 e 4)

Ao descer a pega, o resguardo de segurança do disco sobe automaticamente. O resguardo volta à posição original depois de concluído o corte e quando se ergue a pega.

AVISO:

- **Nunca estrague ou retire o resguardo da lâmina ou a mola que prende o resguardo.** Se retirar o resguardo de segurança, a lâmina exposta pode provocar ferimentos pessoais graves durante o funcionamento.

Para a sua própria segurança, mantenha sempre o resguardo de segurança do disco em boas condições. Qualquer funcionamento irregular do resguardo de segurança do disco deve ser reparado de imediato. Verifique para se assegurar do bom funcionamento do dispositivo de mola do resguardo de segurança.

AVISO:

- **Nunca utilize a ferramenta se o resguardo de segurança do disco ou o dispositivo de mola estiverem danificados, avariados ou não estiverem montados.** O funcionamento da ferramenta com um resguardo de segurança danificado, avariado ou retirado pode provocar ferimentos pessoais graves.

Se o resguardo transparente da lâmina transparente ficar sujo, ou partículas de pó aderirem de modo a que a lâmina e/ou a peça de trabalho deixe de ser facilmente visível, desligue a serra da corrente e limpe o resguardo cuidadosamente com um pano húmido. Não utilize solventes ou produtos de limpeza à base de petróleo no resguardo de segurança em plástico, pois esses podem danificá-lo.

Se o resguardo de segurança do disco se encontrar muito sujo e precisar ser limpo para o bom funcionamento, proceda como indicado abaixo:

Com a ferramenta desligada e a ficha retirada da tomada, utilize a chave de tubo fornecida para desapertar o perno hexagonal que fixa a tampa central. Alivie o perno hexagonal rodando-o em sentido contrário ao dos ponteiros do relógio e eleve o resguardo de segurança do disco e a tampa central.

Com o resguardo de segurança nesta posição, a limpeza pode ser levada a cabo integralmente e com maior eficiência. Quando a limpeza estiver concluída, efectue o procedimento acima em ordem inversa e aperte o perno. Não desmonte o dispositivo de mola do resguardo de segurança do disco. Se o resguardo ficar danificado com o decorrer do tempo ou pela acção dos raios UV, contacte um centro de assistência Makita para obter um novo resguardo.

NÃO FORCE NEM DESMONTE O RESGUARDO.

Posicionamento da placa de corte (Fig. 5, 6 e 7)

Esta ferramenta é fornecida com placas de corte na base giratória. As placas de corte foram reguladas na fábrica de modo a que a lâmina da serra não toque nas placas de corte. Antes da utilização, regule as placas de corte como se segue:

Primeiro, desligue a ferramenta da corrente. Desaperte todos os parafusos (2 em cada lado esquerdo e direito) que prendem as placas de corte. Volte a apertá-los de modo que as placas de corte sejam facilmente movimentadas com a mão. Desça completamente a pega e empurre o pino de travagem para bloquear a pega na posição inferior. Desaperte o parafuso de fixação que prende as braçadeiras deslizantes superiores, rodando-o no sentido contrário ao dos ponteiros do relógio, e também empurre para a frente a alavanca de trava que prende as braçadeiras deslizantes inferiores. Puxe o carro completamente para si. Regule as placas de corte de modo a que contactem ligeiramente os lados dos dentes da lâmina. Aperte os parafusos da frente (não aperte demasiado). Empurre o carro completamente na direcção da placa guia e regule as placas de corte de modo a que contactem ligeiramente os lados dos dentes da lâmina. Aperte os parafusos de trás (não aperte demasiado).

Depois de regular as placas de corte, solte o pino de travagem e levante a pega. Em seguida aperte todos os parafusos firmemente.

OBSERVAÇÃO:

- **Depois de regular o ângulo de bisel, certifique-se de que as placas de corte estejam ajustadas correctamente.** O ajuste correcto das placas de corte auxilia a proporcionar suporte adequado à peça de trabalho, minimizando o seu desgaste.

Manutenção da capacidade máxima de corte (Fig. 8, 9 e 10)

Esta ferramenta foi regulada na fábrica para proporcionar um capacidade máxima de corte com um disco de serra de 260 mm.

Desligue a ferramenta da tomada antes de realizar qualquer ajuste.

Ao instalar um disco de corte novo, verifique sempre a posição limite inferior do disco e, se necessário, afine da seguinte forma:

Em primeiro lugar, desligue a ferramenta da tomada. Abaixar a alavanca de travagem para posicionar o disco de corte como indicado na figura. Empurre o carro completamente na direcção da guia de esquadria e baixe a pega completamente. Utilize a chave de caixa para fazer rodar o perno de ajuste até que a periferia do disco de corte fique um pouco abaixo da face superior da base giratória, no ponto em que a face anterior da placa guia entra na face superior da base giratória.

Com a ferramenta desligada da tomada, faça rodar o disco de corte à mão enquanto segura na pega, até que esta fique totalmente em baixo, para que não possa contactar qualquer parte da base inferior. Reajuste ligeiramente, se necessário.

Depois de regular, retorne sempre a alavanca de travagem na sua posição original rodando-a no sentido contrário ao dos ponteiros do relógio.

AVISO:

- **Depois de instalar um disco de corte novo, certifique-se sempre, com a ferramenta desligada da tomada, de que a lâmina não toca em nenhuma parte da base inferior quando a pega se encontra totalmente abaixada.** Se a lâmina fizer contacto com a base, pode ocorrer um contragolpe e provocar ferimentos pessoais graves.

Placa de retenção (Fig. 11)

A posição limite inferior da lâmina pode ser facilmente regulada com a placa de retenção. Para a regular, rode a placa de retenção na direcção da seta como indicado na figura. Regule os parafusos para que a lâmina pare na posição desejada quando desce completamente a pega.

Regulação do ângulo de esquadria (Fig. 12)

Empurre a pega para que as cames se engatem e rode a no sentido dos ponteiros do relógio até parar. Rode a base giratória enquanto pressiona a alavanca de trava. Depois de deslocar a pega para a posição onde o ponteiro indica o ângulo desejado na escala de esquadria, rode a pega 90° no sentido contrário ao dos ponteiros do relógio para travar a base giratória.

PRECAUÇÃO:

- Depois de mudar o ângulo de esquadria, trave sempre a base giratória rodando a pega 90° no sentido contrário ao dos ponteiros do relógio.

OBSERVAÇÃO:

- Ao fazer rodar a base giratória, certifique-se de que levanta a pega totalmente.

Regulação do ângulo de bisel (Fig. 13, 14 e 15)

Para regular o ângulo de bisel, liberte a alavanca na parte traseira da ferramenta para a esquerda. Empurre a alavanca do fecho completamente para a frente como ilustrado, apoiando o peso da cabeça do disco de corte a fim de diminuir a pressão no pino de travagem.

Para inclinar o carro para a direita, incline-o levemente para a esquerda depois de soltar a alavanca e pressione o botão de libertação. Enquanto pressiona o botão de libertação, incline o carro para a direita.

Incline a lâmina da serra até que o ponteiro aponte para o ângulo desejado na escala de bisel. Em seguida aperte a alavanca firmemente para a direita para prender o braço.

Se puxar a alavanca do fecho para a frente da serra, é possível travar o disco de corte utilizando os batentes fixos nos ângulos 22,5° e 33,9° para a direita e esquerda, relativos à superfície da base.

Se empurrar a alavanca do fecho para trás como ilustrado, é possível travar o disco em qualquer ângulo desejado dentro da faixa especificada de ângulo de bisel.

PRECAUÇÃO:

- Depois de alterar o ângulo de bisel, fixe sempre o braço apertando a alavanca no sentido dos ponteiros do relógio.

OBSERVAÇÃO:

- Quando inclinar o disco de corte, certifique-se de que levanta a pega totalmente.
- Quando muda os ângulos de bisel, certifique-se de que posiciona as placas de corte correctamente como explicado na secção "Posicionamento da placa de corte".

Ajuste da trava de deslizamento (Fig. 16)

Para travar a braçadeira deslizante inferior, puxe a alavanca de trava para a frente da serra.

Para travar a braçadeira deslizante superior, rode o parafuso de fixação no sentido dos ponteiros do relógio.

Acção do interruptor

Para os países europeus (Fig. 17)

Para evitar o accionamento accidental do gatilho do interruptor, existe um botão de segurança. Para ligar a ferramenta, empurre a alavanca para a esquerda, pressione o botão de bloqueio e em seguida carregue no gatilho. Solte o gatilho do interruptor para parar.

AVISO:

- **Antes de ligar a ferramenta à tomada, verifique sempre se o gatilho do interruptor actua adequadamente, e se volta à posição "OFF" quando é libertado. Não carregue a fundo o gatilho do interruptor sem pressionar o botão de segurança. Esta acção pode estragar o interruptor.** Funcionar com a ferramenta com um interruptor que não opera devidamente pode provocar a perda de controlo e resultar em ferimentos pessoais graves.

Há um furo no gatilho do interruptor para instalar um cadeado e travar a ferramenta.

Para todos os países não europeus (Fig. 18)

Para evitar o accionamento accidental do gatilho do interruptor, existe um botão de segurança. Para iniciar a ferramenta pressione o botão de segurança e carregue no gatilho. Liberte o gatilho para parar.

AVISO:

- **Antes de ligar a ferramenta à tomada, verifique sempre se o gatilho do interruptor actua adequadamente, e se volta à posição "OFF" quando é libertado. Não carregue a fundo o gatilho do interruptor sem pressionar o botão de segurança. Esta acção pode estragar o interruptor.** Funcionar com a ferramenta com um interruptor que não opera devidamente pode provocar a perda de controlo e resultar em ferimentos pessoais graves.

Há um furo no gatilho do interruptor para instalar um cadeado e travar a ferramenta.

AVISO:

- **Não utilize um cadeado com haste ou cabo menor de 6,35 mm de diâmetro.** Uma haste ou cabo menor pode não travar correctamente a ferramenta na posição de desligada e o funcionamento accidental pode provocar ferimentos pessoais graves.

- **NUNCA utilize a ferramenta sem que esta disponha de um gatilho de interruptor totalmente operacional.** Qualquer ferramenta com um interruptor inoperante é ALTAMENTE PERIGOSA e tem de ser reparada antes de ser utilizada novamente, caso contrário pode causar ferimentos pessoais graves.
- Para a sua própria segurança, esta ferramenta está equipada com um botão de segurança que evita o arranque accidental da ferramenta. NUNCA utilize a ferramenta se esta funcionar quando carregar no gatilho do interruptor sem pressionar o botão de segurança. Um interruptor que necessita de reparação pode provocar em funcionamento accidental e causar ferimentos pessoais graves. Envie a ferramenta para um centro de assistência Makita, para efeitos de reparação adequada ANTES de nova utilização.
- NUNCA tente anular o objectivo do botão de segurança utilizando fita adesiva ou qualquer outro meio. Um interruptor com o botão de segurança inoperante pode provocar o funcionamento accidental e causar ferimentos pessoais graves.

Acender as lâmpadas (Fig. 19)

Só para os modelos LS1016F e LS1016FL

PRECAUÇÃO:

- Esta lâmpada não é à prova de água. Não lave a lâmpada com água, nem a utilize em áreas com humidade ou onde ocorra precipitação de chuva. Tal prática pode dar origem a choques eléctricos e fumos.
- Não toque na lente, pois esta, quando a lâmpada está acesa, ou pouco depois de se desligar, encontra-se a uma temperatura muito elevada. Esta prática pode provocar queimaduras no utilizador.
- Não sujeite a lâmpada a impactos, que possam provocar danos ou reduzir a respectiva vida útil.
- Mantenha o feixe de luz afastado dos olhos. O feixe pode provocar lesões oculares.
- Não tape a lâmpada com panos, com caixas ou placas de cartão ou com objectos semelhantes quando se encontra acesa, pois pode provocar um incêndio ou dar origem a uma fonte de ignição.

Para ligar a luz, pressione a posição superior (I) do interruptor. Para a desligar, pressione a posição inferior (O) do interruptor.

Movimente a lâmpada para mudar a zona de iluminação.

NOTA:

- Utilize um pano seco para remover a sujidade da lente da lâmpada. Tenha cuidado para não riscar a lente da lâmpada, pois pode reduzir a capacidade de iluminação.

Função electrónica

Controlo de velocidade constante

- A ferramenta está equipada com um controlo de velocidade constante que ajuda a manter a velocidade de rotação do disco constante mesmo na condição de funcionamento com carga. Uma velocidade de rotação constante possibilita obter um corte com acabamento fino.

Recurso de arranque suave

- Esta função permite um arranque suave da ferramenta através da supressão do choque inicial.

Acção do raio laser

Só para os modelos LS1016L e LS1016FL

PRECAUÇÃO:

- Nunca olhe para o raio laser. Se olhar directamente para o raio laser pode ferir os seus olhos.
- NAO OLHE PARA O FOCO OU VEJA DIRECTAMENTE COM INSTRUMENTOS ÓPTICOS, PRODUTO LASER DA CLASSE 2M.

Para ligar o raio laser, pressione a posição superior (I) do interruptor. Para desligar o raio laser, pressione a posição inferior (O) do interruptor. (Fig. 20)

A linha do laser pode ser deslocada tanto para a esquerda como para a direita da lâmina da serra regulando o parafuso como se segue. (Fig. 21)

1. Solte o parafuso de regulação rodando-o para a esquerda.
2. Com o parafuso de regulação solto, deslize-o para a direita ou esquerda o mais possível.
3. Aperte o parafuso de regulação firmemente na posição onde parar de deslizar.

A linha de laser foi regulada na fábrica de modo a estar posicionada a 1 mm da superfície lateral da lâmina (posição de corte).

NOTA:

- Quando a linha do laser for fraca e difícil de ver devido à luz solar directa, mude a área de trabalho para um local onde haja menos incidência de luz solar directa.

Alinhamento da linha de laser (Fig. 22)

A linha de laser pode ser deslocada tanto para a esquerda como para a direita da lâmina de acordo com as aplicações de corte. Refira-se à explicação em "Acção do raio laser" acerca do método de deslocação.

NOTA:

- Utilize revestimento de madeira contra a placa guia quando alinha a linha de corte com a linha de laser no lado da placa guia no corte composto (ângulo de bisel de 45 graus e ângulo de esquadria à direita de 45 graus).
 - A) Quando obtém o tamanho correcto no lado esquerdo da peça de trabalho.
 - Desloque a linha de laser para a esquerda da lâmina.
 - B) Quando obtém o tamanho correcto no lado direito da peça de trabalho.
 - Desloque a linha de laser para a direita da lâmina.Alinhe a linha de corte na sua peça de trabalho com a linha de laser.

MONTAGEM

AVISO:

- **Certifique-se sempre de que a ferramenta está desligada e com a ficha retirada da tomada, antes de efectuar qualquer trabalho na ferramenta.** Falha em desligar a ferramenta e retirar a ficha da tomada pode resultar em ferimentos pessoais graves.

Armazenamento da chave de tubo (Fig. 23)

A chave de tubo é armazenada como indicado na ilustração.

Para utilizar a chave de tubo, tire-a do suporte da chave. Depois de utilizar a chave de tubo, guarde-a colocando de volta no suporte da chave.

Instalação ou desmontagem do disco da serra

AVISO:

- **Certifique-se sempre de que a ferramenta está desligada da tomada, antes de instalar ou desmontar o disco da serra.** O arranque acidental da ferramenta pode resultar em ferimentos pessoais graves.
- **Utilize exclusivamente a chave de caixa Makita fornecida, para instalar ou desmontar o disco.** A não observância desta instrução pode resultar num aperto excessivo ou insuficiente do perno hexagonal e provocar ferimentos pessoais graves.

Prenda a pega na posição elevada empurrando o pino de travagem. (Fig. 24)

Para desmontar o disco de corte, utilize a chave de tubo para aliviar o perno hexagonal de fixação da tampa central, fazendo-o rodar em sentido contrário ao dos ponteiros do relógio. Eleve o resguardo de segurança do disco e a tampa central. (Fig. 25)

Carregue no bloqueio do eixo para bloquear o veio e utilize a chave de tubo para aliviar o perno hexagonal, fazendo-o rodar no sentido dos ponteiros do relógio. Em seguida desmonte o perno hexagonal, a flange exterior e o disco de corte. (Fig. 26)

NOTA:

- Se a flange interior for removida, certifique-se de a instalar no veio com a saliência voltada para o lado oposto à lâmina. Se a flange for instalada incorrectamente, essa irá roçar contra a ferramenta.

AVISO:

- **Antes de montar o disco no veio, verifique sempre se está instalado entre as flanges interior e exterior o anel correcto para o orifício do disco que pretende utilizar.** A utilização de um anel incorrecto para o orifício pode resultar em má instalação do disco e causar movimento e intensa vibração, consequentemente provocando a perda de controlo durante o funcionamento e ferimentos pessoais graves.

Para instalar o disco, monte-o cuidadosamente no veio, certificando-se de que a direcção da seta existente na face do disco fica apontada na direcção da seta existente na caixa do disco.

Instale a flange exterior e o perno hexagonal e, em seguida, utilize a chave de tubo para apertar o perno hexagonal (rosca esquerda) com segurança em sentido contrário ao dos ponteiros do relógio, enquanto carrega no bloqueio do eixo. (Fig. 27 e 28)

Volte a colocar o resguardo de segurança do disco e a tampa central na posição original. Em seguida, aperte o perno hexagonal no sentido dos ponteiros do relógio para fixar a tampa central. Solte a pega da posição elevada puxando o pino de travagem. Faça descer a alavanca para se certificar de que o resguardo de segurança do disco se movimentou adequadamente. Certifique-se de que o bloqueio do eixo tem o veio liberto antes de iniciar o corte. (Fig. 29)

Saco de pó (Fig. 30)

A utilização do saco de pó torna as operações de corte mais limpas e a recolha do pó mais fácil. Para afixar o saco de pó, coloque-o no bocal.

Quando o saco de pó se encontrar meio cheio, retire-o da ferramenta e tire o fecho. Esvazie o saco de pó, batendo-lhe ligeiramente para remover as partículas aderentes no interior que podem dificultar a recolha.

NOTA:

- Se ligar um aspirador Makita a esta ferramenta, pode obter uma limpeza mais eficaz.

Caixa do pó (acessório opcional) (Fig. 31, 32 e 33)

Insira a caixa do pó no bocal do pó.

Esvazie a caixa de pó sempre que necessário.

Para esvaziar a caixa de pó, abra a cobertura empurrando o botão e deite fora a serradura. Volte a colocar a cobertura e prenda-a na sua posição original. Pode retirar facilmente a caixa do pó puxando-a para fora enquanto a roda perto do bocal do pó na ferramenta.

NOTA:

- Se ligar um aspirador Makita a esta ferramenta, poderá executar uma operação mais limpa e eficiente.

OBSERVAÇÃO:

- Esvazie a caixa do pó antes que o nível da serradura recolhida atinja a secção cilíndrica.

Fixação da peça de trabalho**AVISO:**

- **É de extrema importância prender sempre a peça de trabalho de maneira correcta com o tipo de torno apropriado ou bloqueadores de molduras.** A não observância desta instrução pode resultar em ferimentos pessoais graves e danificar a ferramenta e/ou a peça de trabalho.
- **Depois de terminar o corte, não levante o disco até que este esteja completamente parado.** Levantar o disco enquanto está a rodar por inércia pode causar ferimentos pessoais graves e danificar a peça de trabalho.
- **Ao cortar peças de trabalho maior do que a base de suporte da serra, deve-se apoiar o material ao longo de todo o comprimento, para além da base de suporte e na mesma altura, a fim de o manter nivelado.** O apoio adequado da peça de trabalho ajuda a evitar o encravamento do disco e possível contragolpe, o que pode provocar ferimentos pessoais graves. Não confie apenas no torno vertical e/ou horizontal para efeitos de fixação da peça de trabalho. O material fino tende a dobrar. Apoie a peça de trabalho em todo o comprimento, para evitar esmagamentos e eventuais CONTRAGOLPES. (Fig. 34)

Ajuste da placa guia (GUIAS DE DESLIZE que são as guias superior e inferior)**AVISO:**

- Antes de usar a ferramenta, certifique-se de que as guias superior e inferior estejam presas firmemente.
- **Antes de realizar um corte de bisel, certifique-se de que nenhuma parte da ferramenta, especialmente o disco, toca nas guias superior e inferior quando abaixa ou eleva a pega completamente em qualquer posição e quando se move o carro até o fim.** Se a ferramenta ou o disco tocar nas guias, pode ocorrer um contragolpe ou movimento inesperado do material, resultando em ferimentos pessoais graves.

As guias inferiores podem ser movidas para dentro ou para fora desapertando-se os parafusos de aperto. (Fig. 35)

Uma área indicada em vermelho aparecerá à medida que as guias inferiores movem-se para dentro e desaparecerá quando as guias movem-se para fora.

As guias superiores podem ser retiradas ou movidas para dentro ou para fora desapertando-se as alavancas.

(Fig. 36)

Para realizar um corte de bisel, regule a posição das guias superior e inferior de forma que fiquem próximas do disco o mais prático possível para apoiar ao máximo a peça de trabalho e certifique-se de que nenhuma parte da ferramenta, especialmente o disco, toca nas guias superior e inferior quando abaixa ou eleva a pega completamente em qualquer posição e quando puxa ou empurra o carro até a posição mais baixa. (Fig. 37)

Antes de cortar, faça o funcionamento em seco com a serra desligada e a ficha retirada da tomada e verifique o intervalo entre as guias e as peças em movimento.

Antes de cortar, prenda firmemente as guias inferiores apertando os parafusos de aperto bem como as guias superiores com as alavancas.

Ao concluir o corte de bisel, não se esqueça de colocar as guias superiores de volta na posição original.

Torno vertical (Fig. 38)

O torno vertical pode ser instalado em duas posições, tanto à esquerda como à direita da base. Introduza o varão do torno no orifício da base.

Posicione o braço do torno em função da espessura e configuração da peça de trabalho e fixe o braço do torno, apertando o parafuso. Se o parafuso que prende o braço do torno tocar no carro, instale o parafuso no lado oposto do braço do torno. Certifique-se de que nenhuma parte da ferramenta contacta com o torno quando desce a pega completamente e puxa ou empurra o carro até ao fim. Se alguma parte contactar com o torno, altere a posição do torno.

Encoste a peça de trabalho a direito na placa guia e na base giratória. Coloque a peça de trabalho na posição de corte pretendida e fixe-a com firmeza apertando o manípulo do torno.

Rodar o botão do torno 90° no sentido contrário ao dos ponteiros do relógio permite movimentá-lo para cima e para baixo, facilitando o assentamento rápido da peça de trabalho. Para prender a peça de trabalho depois de assentar, rode o botão do torno no sentido dos ponteiros do relógio.

AVISO:

- **A peça de trabalho tem de ser fixa com segurança contra a base giratória, e a placa guia com o torno durante todas as operações.** Se a peça de trabalho não estiver bem fixa contra a guia, o material pode mover-se durante a operação e danificar o disco, resultando em arremesso do material e perda de controlo, provocando ferimentos pessoais graves.

Torno horizontal (acessório opcional) (Fig. 39 e 40)

O torno horizontal pode ser instalado em duas posições, tanto à esquerda como à direita da base.

Quando executa cortes de esquadria de 15° ou mais, instale o torno horizontal no lado oposto à direcção em que vai rodar a base giratória.

Rodando a porca do torno para a esquerda, o torno fica solto e move-se rapidamente para dentro e para fora. Para prender a peça de trabalho, empurre o botão do torno para a frente até que a placa do torno contacte a peça de trabalho e incline a porca do torno para a direita. Em seguida rode o botão do torno para a direita para prender a peça de trabalho.

A largura máxima da peça de trabalho que pode ser presa pelo torno horizontal é 215 mm.

AVISO:

- **Rode sempre a porca do torno para a direita até que a peça de trabalho fique presa com firmeza.** Se a peça de trabalho não estiver bem presa, o material pode mover-se durante a operação e danificar o disco, resultando em arremesso do material e perda de controlo, provocando ferimentos pessoais graves.
- Ao cortar peças de trabalho finas, tais como tábuas, contra a guia, utilize sempre um torno horizontal.

Suportes (acessório opcional) (Fig. 41)

Os suportes podem ser colocados em qualquer dos lados da ferramenta como meio conveniente de segurar horizontalmente peças de trabalho. Deslize o suporte dos varões para os orifícios na base e regule o seu comprimento de acordo com a peça de trabalho a ser suportada. Em seguida aperte os suportes cuidadosamente com os parafusos.

AVISO:

- **Suporte sempre as peças compridas de forma que fiquem niveladas com a superfície superior da base giratória para obter cortes precisos e evitar o perigo de perda de controlo.** O apoio adequado da peça de trabalho ajuda a evitar o encravamento do disco e um possível contragolpe, o que pode provocar ferimentos pessoais graves.

OPERAÇÃO

OBSERVAÇÃO:

- Antes da utilização, certifique-se de que liberta a pega da posição inferior empurrando o pino do travagem.
- Não aplique uma pressão excessiva na pega ao cortar. Uma força excessiva pode dar origem a sobrecarga do motor e/ou diminuir a eficiência do corte. Carregue na pega apenas com a força suficiente para cortar suavemente e sem uma redução significativa da velocidade do disco de corte.
- Pressione suavemente a pega para executar o corte. Se a pega for pressionada com muita força ou se aplicar força lateral, o disco vibrará e deixará uma marca (marca de serra) na peça de trabalho e o corte não ficará perfeito.
- Quando cortar deslocando a ferramenta, empurre o carro suavemente na direcção da guia de esquadria sem parar. Se o movimento do carro for interrompido durante o corte, deixará marca na superfície de trabalho e o corte não será perfeito.

AVISO:

- **Verifique se o disco não está em contacto com a peça de trabalho, etc., antes de ligar o interruptor.** Ligar a ferramenta enquanto o disco está em contacto com a peça de trabalho pode provocar contragolpes e ferimentos pessoais graves.

1. Corte segurando superfícies de trabalho (pequenas) (Fig. 42)

Superfícies até 68 mm de altura e 160 mm de largura podem ser cortadas da seguinte maneira.

Depois de rodar a alavanca de travagem no sentido dos ponteiros do relógio e deslizar o carro na posição desejada, empurre o carro completamente até a placa guia e aperte o parafuso de fixação rodando-o no sentido dos ponteiros do relógio e puxe a alavanca de trava para a frente da serra para prender o carro. Prenda a peça de trabalho correctamente com o tipo de torno apropriado ou bloqueadores de molduras.

Ligue a ferramenta sem que a lâmina faça qualquer contacto e espere até que a lâmina atinja toda a velocidade antes de a descer. Em seguida desça a pega suavemente para a posição completamente descida para cortar a peça de trabalho. Quando acabar o corte, desligue a ferramenta e **ESPERE QUE O DISCO ESTEJA COMPLETAMENTE PARADO** antes de voltar a levantá-lo.

AVISO:

- **Aperte firmemente o parafuso de fixação no sentido dos ponteiros do relógio e puxe a alavanca de trava para a frente da serra para que o carro não se mova durante o funcionamento.** Aperto insuficiente do parafuso de fixação pode causar um contragolpe e provocar ferimentos pessoais graves.

2. Corte correção (empurrão) (corte peças de trabalho largas) (Fig. 43 e 44)

Desaperte o parafuso de fixação rodando-o no sentido contrário ao dos ponteiros do relógio e empurre a alavanca de trava para a frente para que o carro deslize livremente. Prenda a peça de trabalho com o tipo de torno apropriado.

Puxe os carros completamente para si. Ligue a ferramenta sem que a lâmina faça qualquer contacto e espere até que atinja a velocidade máxima. Empurre a pega para baixo e **EMPURRE OS CARROS NA DIRECÇÃO DA PLACA GUIA E NA PEÇA DE TRABALHO.** Quando o corte estiver concluído desligue a ferramenta e **ESPERE ATÉ QUE A LÂMINA ESTEJA COMPLETAMENTE PARADA** antes de a fazer voltar à posição completamente elevada.

AVISO:

- **Quando executa o corte correção, primeiro puxe o carro completamente para si e pressione a pega para a posição mais baixa e, em seguida, empurre o carro na direcção da placa guia. Nunca inicie o corte sem que o carro esteja completamente puxado para si.** Se executar o corte correção sem puxar completamente o carro para si, pode ocorrer um contragolpe inesperado e causar ferimentos pessoais graves.
- **Nunca tente executar o corte correção puxando o carro para si.** Puxar o carro para si enquanto executa o corte pode provocar um contragolpe inesperado e provocar ferimentos pessoais graves.
- Nunca execute o corte correção com a pega bloqueada na posição inferior por ter pressionado o pino de travagem.
- **Nunca desaperte o botão que prende os carros enquanto a lâmina está a rodar.** Se o carro não estiver bem preso ao executar o corte, pode provocar um contragolpe inesperado e provocar ferimentos pessoais graves.

3. Corte de esquadria

Refira-se à descrição prévia “Regulação do ângulo de esquadria”.

4. Corte de bisel (Fig. 45)

Solte a alavanca e incline a lâmina da serra para o ângulo de bisel regulado (Refira-se a “Regulação do ângulo de bisel” descrita anteriormente): Certifique-se de que volta a apertar a alavanca firmemente para prender seguramente o ângulo de bisel seleccionado. Prenda a peça de trabalho com um torno. Certifique-se de que o carro está puxado completamente para trás para o operador. Ligue a ferramenta sem que a lâmina faça qualquer contacto e espere até que a lâmina atinja a velocidade máxima. Em seguida desça cuidadosamente a pega até à posição mais baixa enquanto aplica pressão em paralelo com a lâmina e EMPURRE O CARRO NA DIRECÇÃO DA PLACA GUIA PARA CORTAR A PEÇA DE TRABALHO. Quando o corte estiver concluído, desligue a ferramenta e ESPERE ATÉ QUE A LÂMINA ESTEJA COMPLETAMENTE PARADA antes de a fazer voltar à posição totalmente elevada.

AVISO:

- **Depois de regular o disco para o corte de bisel, verifique, antes de funcionar com a ferramenta, se o carro e o disco poderão se deslocar livremente por toda a distância do corte desejado.** A interrupção do deslocamento do carro ou do disco durante o corte pode provocar um contragolpe e causar ferimentos pessoais graves.
- **Mantenha as mãos afastadas do percurso do disco durante um corte de bisel.** O ângulo do disco pode confundir o operador com respeito ao percurso real do disco durante o corte e o contacto com o disco pode provocar ferimentos pessoais graves.
- **Não levante o disco antes de estar completamente parado.** Durante o corte de bisel, um bocado cortado pode ficar encostado na lateral do disco. Se levantar o disco enquanto está ainda a rodar, o bocado pode ser atirado pelo disco e fragmentar-se, provocando ferimentos pessoais graves.

Medir

Meça o comprimento da parede e ajuste a peça de trabalho na mesa para cortar a borda de contacto com a parede no comprimento desejado. Assegure-se sempre de que o comprimento **traseiro da peça** cortada seja o mesmo que o da parede. Ajuste o comprimento cortado com o ângulo de corte. Corte sempre vários pedaços para fazer cortes de teste a fim de verificar os ângulos da serra.

Ao cortar sancas e molduras, regule o ângulo de bisel e o ângulo de esquadria como indicado na tabela (A) e posicione as molduras na superfície superior da base da serra como indicado na tabela (B).

Corte de bisel para a esquerda

Tabela (A)

	Posição da moldura nas Fig. 47 e 48	Ângulo de bisel		Ângulo de esquadria	
		Tipo 52/38°	Tipo 45°	Tipo 52/38°	Tipo 45°
Para canto interno	(1)	Esquerdo 33,9°	Esquerdo 30°	Direito 31,6°	Direito 35,3°
	(2)			Esquerdo 31,6°	Esquerdo 35,3°
Para canto externo	(3)			Direito 31,6°	Direito 35,3°
	(4)				

OBSERVAÇÃO:

- Quando descer a pega, exerça pressão paralelamente ao disco. Se a força for exercida perpendicularmente à base giratória ou se mudar a direcção da pressão durante o corte, provocará um corte imperfeito.
- Pode ser necessário regular as guias superior e inferior antes de realizar cortes de bisel. Consulte a secção intitulada “Ajuste da placa guia”.

5. Corte composto

O corte composto é o processo em que um ângulo de bisel é executado em simultâneo com um corte em ângulo de esquadria na peça de trabalho. O corte composto pode ser executado nos ângulos indicados na tabela.

Ângulo de esquadria	Ângulo de bisel
Esquerdo e Direito 0° – 45°	Esquerdo e Direito 0° – 45°

Para executar corte composto, consulte as explicações em “Corte segurando superfícies de trabalho”, “Corte correção”, “Corte de esquadria” e “Corte de bisel”.

6. Corte de sancas e molduras

As sancas e molduras podem ser cortadas com uma serra de esquadria composta colocando-se as molduras retas na base giratória.

Há dois tipos comuns de molduras e um tipo de sanca; molduras com ângulos de 52/38° e 45° e sancas com ângulo de 45°. Consulte as figuras. (Fig. 46)

Há juntas de sancas e molduras que são próprias para encaixar em cantos “internos” de 90° ((1) e (2) nas Fig. 47 e 48) e cantos “externos” de 90° ((3) e (4) nas Fig. 47 e 48).

Tabela (B)

	Posição da moldura nas Fig. 47 e 48	Borda da moldura contra a placa guia	Peça acabada
Para canto interno	(1)	A borda de contacto com o tecto deve ficar contra a placa guia.	A peça acabada ficará no lado esquerdo da lâmina.
	(2)	A borda de contacto com a parede deve ficar contra a placa guia.	
Para canto externo	(3)	A borda de contacto com o tecto deve ficar contra a placa guia.	A peça acabada ficará no lado direito da lâmina.
	(4)		

Exemplo:

Cortar uma moldura do tipo 52/38° para a posição (1) nas **Fig. 47 e 48**:

- Incline e prenda a regulação do ângulo de bisel em 33,9° para a **ESQUERDA**.
- Ajuste e prenda a regulação do ângulo de esquadria em 31,6° para a **DIREITA**.
- Coloque a moldura na serra com a superfície traseira mais larga (oculta) na base giratória e com a **BORDA DE CONTACTO COM O TECTO** contra a placa guia.
- A peça acabada a ser utilizada ficará sempre no lado **ESQUERDO** da lâmina depois de cortar.

Corte de bisel para a direita

Tabela (A)

	Posição da moldura nas Fig. 47 e 48	Ângulo de bisel		Ângulo de esquadria	
		Tipo 52/38°	Tipo 45°	Tipo 52/38°	Tipo 45°
Para canto interno	(1)	Direito 33,9°	Direito 30°	Direito 31,6°	Direito 35,3°
	(2)			Esquerdo 31,6°	Esquerdo 35,3°
Para canto externo	(3)			Direito 31,6°	Direito 35,3°
	(4)				

Tabela (B)

	Posição da moldura nas Fig. 47 e 48	Borda da moldura contra a placa guia	Peça acabada
Para canto interno	(1)	A borda de contacto com a parede deve ficar contra a placa guia.	A peça acabada ficará no lado direito da lâmina.
	(2)	A borda de contacto com o tecto deve ficar contra a placa guia.	
Para canto externo	(3)	A borda de contacto com a parede deve ficar contra a placa guia.	A peça acabada ficará no lado esquerdo da lâmina.
	(4)		

Exemplo:

Cortar uma moldura do tipo 52/38° para a posição (1) nas **Fig. 47 e 48**:

- Incline e prenda a regulação do ângulo de bisel em 33,9° para a **DIREITA**.
- Ajuste e prenda a regulação do ângulo de esquadria em 31,6° para a **DIREITA**.
- Coloque a moldura na serra com a superfície traseira mais larga (oculta) na base giratória e com a **BORDA DE CONTACTO COM A PAREDE** contra a placa guia.
- A peça acabada a ser utilizada ficará sempre no lado **DIREITO** da lâmina depois de cortar.

Bloqueadores de molduras (acessórios opcionais) facilitam o corte das molduras sem inclinar o disco de corte. Instale-os na base como indicado nas figuras. (**Fig. 49 e 50**)

Fig. 49: Ângulo de esquadria de 45° para a direita

Fig. 50: Ângulo de esquadria de 45° para a esquerda

Posicione a moldura com a **BORDA DE CONTACTO COM A PAREDE** contra a placa guia e a **BORDA DE CONTACTO COM O TECTO** contra os bloqueadores como indicado na figura (**Fig. 51**). Ajuste os bloqueadores de acordo com o tamanho da moldura. Aperte os parafusos para prender os bloqueadores da moldura. Consulte a tabela (C) para regulação do ângulo de esquadria.

Tabela (C)

	Posição da moldura nas Fig. 47 e 48	Ângulo de esquadria	Peça acabada
Para canto interno	(1)	Direito 45°	Guarde o lado direito da lâmina
	(2)	Esquerdo 45°	Guarde o lado esquerdo da lâmina
Para canto externo	(3)		Guarde o lado direito da lâmina
	(4)	Direito 45°	Guarde o lado esquerdo da lâmina

7. Corte de uma extrusão de alumínio

Ao fixar extrusões de alumínio, utilize blocos espaçadores ou sobras de material, como indicado na Fig. 52, para evitar a deformação do alumínio. Utilize um lubrificante de corte ao cortar a extrusão de alumínio para evitar a acumulação de limalhas de alumínio no disco.

AVISO:

- **Nunca tente cortar extrusões de alumínio grosso ou redondo.** As extrusões de alumínio grossas ou redondas podem ser difíceis de prender e podem soltar-se durante a operação de corte, provocando a perda de controlo e ferimentos pessoais graves.

8. Corte de ranhura (Fig. 53)

Pode fazer um corte tipo dado procedendo como se segue: Regule a posição inferior da lâmina utilizando os parafusos de regulação e o braço de bloqueio para limitar a profundidade de corte da lâmina. Refira-se à secção “Placa de retenção” descrita anteriormente.

Depois de regular a posição de limite inferior da lâmina, corte ranhuras paralelas ao longo da largura da peça de trabalho utilizando um corte deslizante (empurrão) como indicado na figura. Em seguida retire o material da peça de trabalho entre as ranhuras com um cinzel.

AVISO:

- **Não tente executar este tipo de corte usando uma lâmina larga ou uma lâmina dado.** Tentar cortar ranhuras com uma lâmina larga ou lâmina dado pode resultar em cortes imprevistos bem como contragolpes, o que pode provocar ferimentos pessoais graves.
- **Certifique-se que volta a colocar o braço de bloqueio na posição original quando executa cortes que não sejam de ranhuras.** Tentar cortar com o braço de bloqueio na posição incorrecta pode resultar em cortes imprevistos e contragolpes, o que pode resultar em ferimentos pessoais graves.

Transporte da ferramenta

Certifique-se de que a ferramenta está desligada da corrente. Prenda a lâmina no ângulo de bisel de 0° e a base giratória completamente no ângulo de esquadria à direita. Prenda as braçadeiras deslizantes de forma que a braçadeira inferior fique bloqueada na posição com o carro puxado completamente na direcção do operador e as superiores fiquem travadas na posição com o carro empurrado completamente na direcção da placa guia (consulte a secção “Ajuste da trava de deslizamento”.) Desça a pega completamente e prenda-a na posição inferior empurrando o pino de travagem. (Fig. 54)

Transporte a ferramenta agarrando nos dois lados da base da ferramenta como indicado na figura. Se retirar os suportes, saco de pó, etc., pode transportar mais facilmente a ferramenta. (Fig. 55)

AVISO:

- **O pino de travagem serve apenas para efeitos de transporte e armazenagem e nunca deve ser utilizado para quaisquer operações de corte.** A utilização do pino de travagem para operações de corte pode provocar movimento inesperado do disco de corte e resultar em contragolpes e ferimentos pessoais graves.

PRECAUÇÃO:

- Fixe sempre os componentes móveis antes de proceder ao transporte da ferramenta. Se peças da ferramenta se movem ou deslizam durante o transporte, pode ocorrer a perda de controlo ou balanço, provocando ferimentos pessoais.

MANUTENÇÃO

AVISO:

- **Certifique-se sempre de que a ferramenta está desligada e com a ficha retirada da tomada antes de tentar proceder à inspecção, ou à manutenção da ferramenta.** Falha em desligar a ferramenta e retirar a ficha da tomada pode levar a um arranque acidental e provocar ferimentos pessoais graves.
- **Certifique-se sempre de que o disco de corte se encontra afiado e limpo, para obter um desempenho otimizado e seguro.** Tentar cortar com um disco não afiado e/ou sujo pode causar contragolpes e provocar ferimentos pessoais graves.

OBSERVAÇÃO:

- Nunca utilize gasolina, benzina, diluente, álcool ou produtos semelhantes. Pode ocorrer a descoloração, deformação ou rachaduras.

Regulação do ângulo de corte

Esta ferramenta foi cuidadosamente regulada e alinhada na fábrica, podendo, no entanto, um manuseamento inadequado afectar o respectivo alinhamento. Se a sua ferramenta não se encontrar devidamente alinhada, execute o seguinte:

1. Ângulo de esquadria

Empurre o carro na direcção da placa guia, aperte o parafuso de fixação no sentido dos ponteiros do relógio e puxe a alavanca de trava na sua direcção para prender o carro.

Rode a pega que prende a base giratória no sentido contrário ao dos ponteiros do relógio. Rode a base giratória de modo a que o ponteiro aponte para 0° na escala de esquadria. Em seguida rode a base giratória ligeiramente para a direita e esquerda para colocar a base giratória na ranhura de 0° de esquadria. (Deixe-a como está se o ponteiro não apontar para 0°.) Liberte os pernos hexagonais que prendem a placa guia utilizando a chave hexagonal.

Desça a pega completamente e prenda-a na posição inferior empurrando o pino de bloqueio. Ajuste o lado da lâmina com a face da placa guia, utilizando um triângulo, esquadro, etc. Em seguida aperte firmemente os pernos hexagonais na placa guia em ordem a partir do lado direito. (Fig. 56)

Certifique-se de que o ponteiro aponta para 0° na escala de esquadria. Se o ponteiro não apontar para 0°, liberte o parafuso que prende o ponteiro e regule o ponteiro de modo a que aponte para 0°. (Fig. 57)

2. Ângulo de bisel

Empurre a alavanca do fecho completamente para a frente para soltar os batentes fixos.

1) Ângulo de bisel de 0°

Empurre o carro na direcção da placa guia, aperte o parafuso de fixação no sentido dos ponteiros do relógio e puxe a alavanca de trava na sua direcção para prender o carro. Desça a pega completamente e aperte-a na posição inferior empurrando o pino de bloqueio. Desaperte a alavanca na parte traseira da ferramenta. (Fig. 58)

Rode o perno hexagonal no lado direito do suporte do braço duas ou três vezes para a esquerda para inclinar o disco para a direita. (Fig. 59)

Alinhe cuidadosamente o lado do disco com a superfície superior da base giratória utilizando um esquadro, régua, etc., rodando o perno hexagonal no lado direito do suporte do braço para a direita. Em seguida aperte a alavanca com firmeza. (Fig. 60)

Certifique-se de que os dois ponteiros no suporte do braço marcam ambos 0° na escala de bisel no suporte do braço. Se tal não acontecer, desaperte os parafusos de fixação dos ponteiros e regule-os de modo a que marquem 0°. (Fig. 61)

2) Ângulo de bisel de 45° (Fig. 62)

Regule o ângulo de bisel de 45° só depois de executar a regulação do ângulo de bisel de 0°. Para regular o ângulo de bisel de 45° à esquerda, solte a alavanca e incline a lâmina completamente para a esquerda. Certifique-se de que o ponteiro no suporte do braço aponta para 45° na escala de bisel no braço. Se o ponteiro não apontar para 45°, rode o perno de ajuste do ângulo de bisel de 45° à esquerda no lado do braço até que o ponteiro aponte para 45°.

Para regular o ângulo de bisel de 45° à direita, execute o mesmo procedimento descrito acima.

Regulação da posição da linha de laser (Fig. 63 e 64)

Só para os modelos LS1016L e LS1016FL

AVISO:

• **Dado que a ferramenta deve estar ligada à corrente quando regula a linha de laser, tenha muito cuidado para não ligar a ferramenta.** O arranque accidental da ferramenta pode resultar em ferimentos pessoais graves.

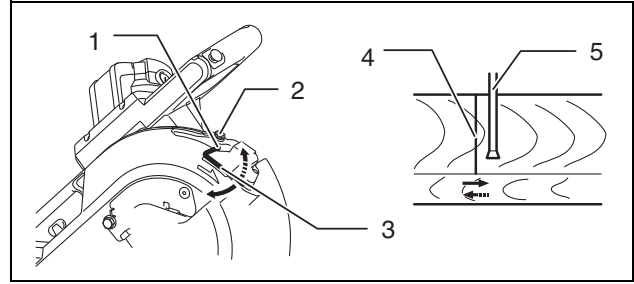
PRECAUÇÃO:

• **Nunca olhe para o raio laser.** A exposição directa ao raio de laser pode prejudicar seriamente os olhos.
• **RADIAÇÃO LASER**
Não olhe para o foco.

OBSERVAÇÃO:

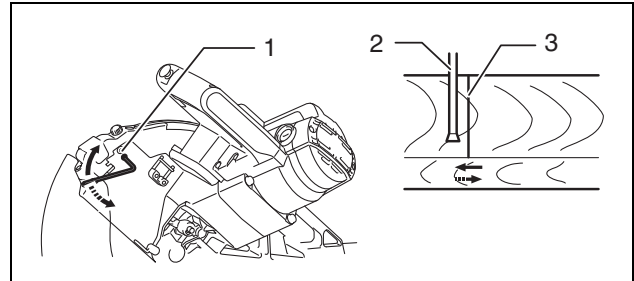
• Lembre-se que impactos na ferramenta podem causar o desalinhamento do laser ou danificar o próprio laser, diminuindo a sua vida útil.

Regular a linha de laser para o lado esquerdo do disco.



- 1 Aparafuse para mudar a gama deslocável do parafuso de regulação
- 2 Parafuso de regulação
- 3 Chave hexagonal
- 4 Linha de laser
- 5 Lâmina da serra

Regular a linha de laser para o lado direito do disco.



- 1 Parafuso de regulação
- 2 Lâmina da serra
- 3 Linha de laser

Para as duas regulações, proceda como se segue.

1. Certifique-se de que a ferramenta está desligada da corrente.
2. Desenhe a linha de corte na peça de trabalho e coloque-a na mesa giratória. Nesta altura, não prenda a peça de trabalho com um torno ou um instrumento semelhante.
3. Desça a lâmina descendo a pega e verifique a localização da linha de corte e da lâmina da serra. (Decida a posição a cortar na linha de corte.)
4. Depois de decidir a posição correcta da linha em relação ao disco, volte a colocar a pega na posição original. Prenda a peça de trabalho com o torno vertical sem movimentá-la da posição predeterminada.
5. Ligue a ferramenta à corrente e ligue o interruptor de laser.
6. Regule a posição da linha de laser como se segue.

A posição da linha de laser pode ser mudada de acordo com a gama deslocável do parafuso de regulação pois o laser é mudado rodando dois parafusos com a chave hexagonal. (A gama deslocável da linha de laser foi regulada na fábrica a 1 mm da superfície lateral da lâmina.)

Para mudar a gama deslocável da linha de laser para mais afastada da superfície lateral da lâmina, rode os dois parafusos para a esquerda depois de soltar o parafuso de regulação. Rode estes dois parafusos para a direita para mudar para mais próximo da lâmina depois de soltar o parafuso de regulação.

Refira-se à secção “Acção da raio laser” e regule o parafuso de regulação de modo a que a linha de corte na sua peça de trabalho esteja alinhada com a linha de laser.

NOTA:

- Verifique regularmente a precisão da linha de laser.
- No caso de qualquer incorrecção na linha de laser mande reparar a ferramenta num centro de assistência autorizado da Makita.

Limpeza das lentes para a luz laser (Fig. 65 e 66)

Só para os modelos LS1016L e LS1016FL

Se as lentes para a luz laser ficarem sujas ou poeira aderir de modo a que a linha de laser deixe de ser facilmente visível, desligue a serra da corrente e retire e limpe as lentes da luz laser cuidadosamente com um pano húmido, macio. Não utilize solventes ou outros produtos de limpeza à base de petróleo.

Para retirar as lentes para a luz laser, retire a lâmina da serra antes de retirar as lentes de acordo com as instruções na secção “Instalação ou desmontagem do disco da serra”.

Solte mas não retire o parafuso que prende as lentes utilizando uma chave de parafusos.

Tire as lentes como indicado na figura.

NOTA:

- Se as lentes não saírem, solte mais o parafuso e tire as lentes para fora sem retirar o parafuso.

Substituição das escovas de carvão (Fig. 67 e 68)

Desmonte e verifique as escovas de carvão regularmente. Substitua-as quando estas apresentarem um desgaste até à marca limite. Mantenha as escovas de carvão limpas e soltas, podendo deslizar nos suportes. Ambas as escovas de carvão devem ser substituídas em simultâneo. Utilize exclusivamente escovas de carvão idênticas.

Recorra a uma chave de fendas para retirar as tampas dos suportes de escovas. Retire as escovas de carvão gastas, introduza as novas e fixe as tampas dos suportes.

Depois de trocar as escovas, ligue a ferramenta na tomada e funcione-a em vazio por cerca de 10 minutos para amaciar as escovas. Verifique a ferramenta em funcionamento e o desempenho do freio eléctrico ao soltar o gatilho do interruptor. Se o freio eléctrico não funcionar correctamente, leve a ferramenta a um centro de assistência da Makita para o conserto.

Depois da utilização

- Depois da utilização, limpe as aparas e o pó que aderiu à ferramenta com um pano ou material semelhante. Mantenha o resguardo de segurança do disco limpo conforme instruções constantes da anterior secção com o título “Resguardo de segurança do disco de corte”. Lubrifique os componentes deslizantes com óleo de máquina para evitar a ferrugem.
- Quando guardar a ferramenta, puxe o carro completamente para si de modo a que o braço telescópico fique completamente introduzido na base giratória.

Para manter a SEGURANÇA e a FIABILIDADE do produto, as reparações e qualquer outra manutenção ou ajuste devem ser levadas a cabo pelos centros de assistência Makita autorizados, utilizando sempre peças de substituição Makita.

ACESSÓRIOS

AVISO:

- **Estes acessórios ou extensões são recomendados para utilização com a sua ferramenta Makita especificada neste manual.** A utilização de quaisquer outros acessórios ou extensões pode resultar em ferimentos pessoais graves.
- **Utilize apenas um acessório ou extensão Makita para o fim a que se destina.** A utilização inadequada de um acessório ou extensão pode resultar em ferimentos pessoais graves.

Se necessitar de informações adicionais relativas a estes acessórios, solicite-as ao seu centro de assistência Makita.

- Lâmina de serra com pontas de aço e de carboneto

Lâminas da serra de esquadria	Para cortes suaves e precisos em vários materiais.
Combinação	Lâmina para aplicações em geral para cortes rápidos e suaves, transversais e de esquadria.
Cortes transversais	Para cortes suaves em fibras transversais. Corta precisamente contra a fibra.
Cortes transversais de bom acabamento	Para cortes limpos sem partículas contra a fibra.
Discos de corte de esquadria para metais não ferrosos	Para esquadrias em alumínio, cobre, latão, tubulação e outros metais não ferrosos.

- Conjunto de torno (Torno horizontal)
- Torno vertical
- Chave de tubo 13
- Suporte
- Saco de pó
- Conjunto do bloqueador de moldura
- Régua triangular
- Caixa do pó
- Chave hexagonal (Para LS1016L e LS1016FL)

Illustrationsoversigt

1	Befæstelsesstift	35	Spindellås	67	Kronfremspringstopper R (højre) (ekstraudstyr)
2	Sekskantbolte(e)	36	Klingehus	68	Kronfremspringstopper L (venstre)
3	Beskyttelsesskærm	37	Pil	69	Kronfremspringstopper R (højre)
4	Indlægsplade	38	Ydre flange	70	Kronfremspring
5	Savklinge	39	Indre flange	71	Skruer
6	Klingetænder	40	Spindel	72	Afstandsklods
7	Venstre skrånit	41	Ring	73	Aluminium-profiler
8	Lige snit	42	Støvtude	74	Skær riller med klinger
9	Højre skrånit	43	Støvpose	75	Trekantslineal
10	Låsearm	44	Lukkeskinne	76	Vinkelskala
11	Skruer	45	Støvbeholder	77	Skrånit-skalaplade
12	Justeringsbolt	46	Dæksel	78	0° vinkeljusteringsbolt
13	Drejeskive	47	Knap	79	Skalaplade
14	Stopperarm	48	Cylindersektion	80	Venstre 45° skråvinkel justeringsbolt
15	Skyderør	49	Savsmuld	81	Højre 45° skråvinkel justeringsbolt
16	Overflade på drejeskive	50	Støtte	82	Arbejdsstykke
17	Klingeperiferi	51	Drejeskive	83	Laserlinie
18	Anslag	52	Fastspændingsskruer	84	Lodret skrue
19	Justeringsskrue	53	Øverste anslag	85	Skruetrækker
20	Stoparm	54	Nederste anslag	86	Skruer (kun een)
21	Indstillingsgreb	55	Skrueknop	87	Linse til laserlys
22	Knast	56	Skruearm	88	Slidgrænse
23	Håndtag	57	Skruestang	89	Kulholderdæksel
24	Rigel-arm	58	Skrueplade	90	Låseskrue
25	Skalaplade	59	Møtrik	91	Lyskontakt
26	Udløserknop	60	Holder	92	Lys
27	Viser	61	52/38° type kronfremspring	93	Rødt indikeringsområde
28	Aflåseknop	62	45° type kronfremspring		
29	Afbryderkontakt	63	45° type indskæringsdel		
30	Hul til hængelås	64	Indvendigt hjørne		
31	Laserkontakt	65	Udvendigt hjørne		
32	Topnøgle	66	Kronfremspringstopper L (venstre) (ekstraudstyr)		
33	Nøgleholder				
34	Midterafdækning				

SPECIFIKATIONER

Model

LS1016/LS1016L/LS1016F/LS1016FL

Klangediameter

For alle lande undtagen europæiske lande 255 mm – 260 mm
 For europæiske lande..... 260 mm


Hul (skaft) diameter

For alle lande undtagen europæiske lande 25,4 mm
 For europæiske lande..... 30 mm

Maks. snitdybde (H x B) med 260 mm diameter klinge

Geringsvinkel	Skråvinkel		
	45° (venstre)	0°	45° (højre)
0°	42 mm x 310 mm	68 mm x 310 mm	29 mm x 310 mm
	58 mm x 279 mm	91 mm x 279 mm	43 mm x 279 mm
45° (højre og venstre)	42 mm x 218 mm	68 mm x 218 mm	29 mm x 218 mm
	58 mm x 197 mm	91 mm x 197 mm	43 mm x 197 mm
52° (højre og venstre)	–	68 mm x 190 mm	–
	–	91 mm x 171 mm	–
60° (højre)	–	68 mm x 155 mm	–
	–	91 mm x 139 mm	–

Kronefremspring 45° type (med kronefremspring-befæstelsesstift anvendt)	168 mm
Grundplade (H) (med vandret skruestik anvendt)	120 mm

Omdrejninger (ubelastet).....	3 200 min ⁻¹
Lasertype (LS1016L, LS1016FL)	Rød laser 650 nm, <1,6mW (laserklasse 2M)
Mål (L x B x H).....	718 mm x 640 mm x 671 mm
Nettovægt	
For alle lande undtagen europæiske lande	
LS1016	23,6 kg
LS1016L/LS1016F.....	23,7 kg
LS1016FL.....	23,8 kg
For europæiske lande	
LS1016	24,1 kg
LS1016L/LS1016F.....	24,2 kg
LS1016FL.....	24,3 kg
Sikkerhedsklasse.....	 /II

- Af hensyn til vort løbende udviklingsprogram forbeholdes ret til ændring af specifikationer uden varsel.
- Specifikationer kan variere fra land til land.
- Vægt i henhold til EPTA-Procedure 01/2003

Tilslutning

Denne maskine er beregnet til udførelse af præcis lige afkortning og geringsskæring i træ. Ved brug af passende savklinger kan der også saves i aluminium.

Netspænding

Maskinen må kun tilsluttes den netspænding, der er angivet på typeskiltet. Maskinen arbejder på enkeltfasets vekselspænding og er dobbeltisoleret iht. de europæiske normer og må derfor tilsluttes en stikkontakt uden jordtilslutning.

GEA010-1

Almindelige sikkerhedsregler for el-værktøj

⚠ ADVARSEL! Læs alle sikkerhedsadvarsler og alle sikkerhedsinstruktioner. Hvis nedenstående advarsler og instruktioner ikke overholdes, kan resultatet blive elektrisk stød, brand og/eller alvorlig personskade.

Gem alle advarsler og instruktioner til fremtidig reference.

ENB034-6

YDERLIGERE SIKKERHEDSBESTEMMELSER FOR MASKINEN

1. Brug altid beskyttelsesbriller.
2. Anbring aldrig Deres hænder eller fingre i savklingens bane. Undgå kontakt med klingens bane, mens denne kører i frihjul. Berøring kan medføre alvorlig tilskadekomst.
3. Anvend ikke saven, hvis beskyttelsesanordningerne ikke er forskriftsmæssigt anbragt. Kontrollér beskyttelsesskærmen for korrekt funktion før hver brug. Anvend ikke saven, hvis beskyttelsesskærmen ikke bevæger sig frit og lukker øjeblikkeligt. Beskyttelsesskærmen må aldrig klemmes eller bindes til åben position.
4. Udfør ikke nogen savninger på frihånd. Emnet skal altid være forsvarligt fastspændt mod drejeskiven og anslaget ved hjælp af skruestikken under alt arbejde med maskinen. Brug aldrig hånden til at holde emnet fast.

5. Tag aldrig fast om og ræk aldrig omkring savklingen.
6. Sluk maskinen og vent indtil savklingen står helt stille, før emnet flyttes eller indstillinger ændres.
7. Træk netstikket ud før der udskiftes klinge eller foretages servicering.
8. Fastgør altid alle bevægelige dele, inden maskinen transporteres.
9. Stopstift, som fastlåser skærehovedet, er kun beregnet til transport- og opbevaringsformål og ikke til nogen form for skæring.
10. Anvend ikke maskinen i nærheden af letantændelige væsker eller gasser. Den elektriske betjening af maskinen kan være årsag til eksplosion og brand, hvis den udsættes for antændelige væsker eller gasser.
11. Før maskinen startes, bør De undersøge savklingen omhyggeligt for eventuelle brud eller anden beskadigelse. Revnede eller på anden måde beskadigede savklinger skal straks udskiftes.
12. Anvend kun flanger, der er anbefalet til brug med denne maskine.
13. Behandl aksel, flanger (specielt anlægsflanger) og bolte med omhu. Beskadigelse af disse dele kan medføre beskadigelse af savklingen.
14. Sørg for, at drejeskiven er fastlåst og ikke bevæger sig under brug.
15. Af hensyn til Deres sikkerhed bør affald og smådele fjernes fra drejeskivens overflade, før arbejdet påbegyndes.
16. Undgå at skære i søm. Fjern alle søm fra emnet, før arbejdet påbegyndes.
17. Forvis Dem om, at spindellåsen er løsnet, før De starter maskinen.
18. Sørg for, at savklingen ikke rører drejeskiven i nederste position.
19. Hold godt fast i grebet. Saven kan ved start og stop bevæge sig let op og ned.
20. Sørg for, at savklingen ikke er i berøring med emnet, før maskinen startes.
21. Før maskinen anvendes på emnet, skal den løbe i tomgang et stykke tid. Undersøg om der forekommer vibrationer eller rystelser, der kan være forårsaget af forkert montage eller manglende afbalancering af savklingen.

22. Påbegynd først savningen, når maskinen er oppe på fulde omdrejninger.
23. Afbryd straks anvendelsen, hvis De bemærker noget unormalt under brugen.
24. Forsøg aldrig at fastlåse afbryderen i "on" stillingen.
25. Vær altid på vagt; især under gentaget, monotont arbejde. Det er farligt at blive lullet ind i en falsk følelse af sikkerhed. Savklingerne er meget farlige.
26. Anvend altid kun det tilbehør, der er anbefalet i denne brugsanvisning. Anvendelse af upassende tilbehør, eksempelvis slibeskiver, kan medføre tilskadekomst.
27. Anvend ikke saven til at skære andet end aluminium, træ eller lignende materialer.
28. Tilslut en afkorter-geringsstav til en støvopsamlende anordning, når der saves.
29. Vælg savklinger, der passer til det materiale, der skal skæres.
30. Vær omhyggelig, når der skal laves notning.
31. Udskift indlægspladen, når den bliver slidt.
32. Anvend ikke savklinger, der er fremstillet af hurtigtål.
33. Støv frembragt under anvendelse kan indeholde kemikalier, der er kendte for at kunne fremkalde kræft, give medfødte defekter eller anledning til anden skade på forplantningsevnen. Nogle eksempler på disse kemikalier er:
 - bly fra materialer, der er malet med blyholdigt maling
 - arsenik eller chrom fra kemisk behandlet tømmer.

Risikoen i forbindelse med udsættelse for disse kemikalier afhænger af, hvor ofte De udfører denne type arbejde. For at reducere udsættelse for disse kemikalier bør De: arbejde i veludlufede områder og med anvendelse af godkendt sikkerhedsudstyr, såsom støvmasker, der er specielt konstrueret til at filtrere mikroskopiske partikler.
34. For at reducere den frembragte mængde støv bør De sikre, at savklingen altid er skarp og ren.
35. Operatøren skal være tilstrækkelig øvet i anvendelse, justering og operation af maskinen.
36. Anvend korrekt skærpede savklinger. Overhold den maksimale hastighed, der er angivet på savklingen.
37. Undlad at fjerne nogen form for afskær eller andre dele af emnet fra skæreamrådet, så længe maskinen kører og savhovedet ikke er i hvileposition.
38. Anvend kun savklinger, som anbefales af fabrikanten og som er i overensstemmelse med EN847-1.
39. Brug handsker, når savklingen anvendes (savklinger skal bæres i en holder, når det kan lade sig gøre) eller groft materiale håndteres.
40. Hvis maskinen er udstyret med laser, er det ikke tilladt at erstatte den med en anden type laser. Reparationer skal altid udføres på korrekt vis.

GEM DISSE INSTRUKTIONER

INSTALLATION

Fastgørelse af saven på arbejdspladsen

Ved forsendelse fra fabrik er håndtaget låst i nederste position med en befæstelsesstift. Frigor befæstelsesstiften ved samtidigt at udøve en let tryk nedad på grebet og trække i befæstelsesstiften. (Fig. 1)

ADVARSEL:

- **Sørg for, at maskinen ikke bevæger sig på understøttelsesfladen.** Hvis geringsstaven bevæger sig på understøttelsesfladen under skæringen, kan resultatet blive, at De mister herredømmet over saven og kommer alvorligt til skade.

Denne maskine skal fastgøres med fire bolte på et plant og stabilt underlag ved hjælp af bolthullerne i maskinens bund. Dette vil være med til at forebygge, at maskinen tipper og forårsager personskade. (Fig. 2)

FUNKTIONSBESKRIVELSE

ADVARSEL:

- **Kontroller altid, at maskinen er slået fra, og at netstikket er trukket ud, før der udføres justeringer eller funktioner kontrolleres på denne sav.** Forsømmelse af at afbryde maskinen og tage den ud af forbindelse kan resultere i tilskadekomst, når maskinen starter.

Beskyttelsesskærm (Fig. 3 og 4)

Når De sænker håndtaget, hæver beskyttelsesskærmen sig automatisk. Beskyttelsesskærmen vender tilbage til udgangspositionen, når savningen er færdig og håndtaget hæves.

ADVARSEL:

- **Beskyttelsesskærmen må aldrig sættes ud af funktion og fjederen på skærmen må aldrig fjernes.** En synlig klinge, som er et resultat af en manglende beskyttelsesskærm, kan resultere i alvorlig tilskadekomst under anvendelsen.

Deres egen sikkerheds interesse bør De altid holde beskyttelsesskærmen i forskriftsmæssig stand. Forstyrrelser i beskyttelsesskærmens gang bør straks afhjælpes. Kontrollér, at fjedrebekæmpningen fungerer og får skærmen til at gå på plads.

ADVARSEL:

- **Brug aldrig maskinen hvis beskyttelsesskærmen eller fjederen er beskadiget, defekt eller mangler.** Anvendelse af maskinen med en forkert eller aftaget beskyttelsesskærm kan resultere i alvorlig tilskadekomst.

Hvis den transparente beskyttelsesskærm bliver smudsig, eller der sidder så meget savsmuld på den, at savklingen ikke længere kan ses tydeligt, skal De tage saven ud af forbindelse og rengøre beskyttelsesskærmen med en fugtig klud. Anvend ikke opløsningsmidler eller petroleum-baserede rengøringsmidler på plastic-beskyttelsesskærmen, da dette kan øve skade på skærmen. Følg nedenstående trin, hvis savklingens beskyttelsesskærm er blevet snavset og har behov for at blive rengjort, for at den kan fungere korrekt. Anvend, når der er slukket for maskinen og den er taget ud af forbindelse, den medfølgende topnøgle til at løsne sekskantbolten, som fastholder midterafdækningen. Løs sekskantbolten ved at dreje den mod uret og hæv beskyttelsesskærmen og midterafdækningen.

Med beskyttelseskærmen anbragt på denne måde er det lettere at udføre en mere effektiv rengøring. Når rengøringen er udført, udføres den beskrevne procedure i omvendt orden, og sekskantbolten spændes til. Fjern ikke den fjeder, der holder beskyttelseskærmen. Hvis beskyttelseskærmen udviser skade på grund af alder eller udsættelse for ultraviolet lys, bedes De kontakte et Makita service-center for at få en ny skærm. **OMGÅ ELLER AFMONTER ALDRIG BESKYTTELSESKÆRMEN.**

Placering af indlægsplade (Fig. 5, 6 og 7)

Denne maskine er udstyret med indlægsplader i drejeskiven med det formål at minimere slitage på afslutningssiden af en savning. Indlægspladerne er fra fabrikken indstillet således, at savklingen ikke kommer i kontakt med indlægspladerne. Indstil indlægspladerne inden brugen på følgende måde:

Tag først maskinen ud af forbindelse. Løsn alle de skruer (2 hver i venstre og højre side), som fastholder indlægspladerne. Stram kun skrueene så meget, at indlægspladerne stadig nemt kan fjernes med hånden. Sænk håndtaget helt og tryk stopstiften ind for at låse håndtaget i den nederste stilling. Løsn låseskruen, som fastholder de øverste skydestænger, i retningen mod uret, og tryk også låsearmen, som fastholder de nederste skydestænger, fremad. Indstil indlægspladerne således, at de lige netop berører siderne på klingetænderne. Stram de forreste skruer (stram ikke for meget). Skub slæden helt mod anslaget og indstil indlægspladerne således, at de lige netop berører siderne af klingetænderne. Stram de bageste skruer (stram ikke for meget).

Frigør stopstiften, når indlægspladerne er indstillet, og hælv håndtaget. Stram derefter alle skrueene godt til.

BEMÆRKNING:

- **Sørg for, når skråvinklen er indstillet, at indlægspladerne er korrekt indstillet.** Korrekt indstilling af indlægspladerne vil bidrage til at yde den rigtige støtte til arbejdsstykket og gøre risikoen for udrivning minimal.

Sikring af maksimal skæredybde (Fig. 8, 9 og 10)

Denne maskine er fra fabrikkens side indstillet til at give den maksimale skæredybde med en 260 mm savklinge. Tag maskinen ud af forbindelse, inden De udfører justeringer.

Når der monteres en ny savklinge, skal den nedre grænseposition på klingens altid kontrolleres, og, såfremt det er påkrævet, justeres som følger:

Træk først netstikket ud. Sænk stopperarmen for at anbringe savklingen som vist på illustrationen. Skub slæden helt mod anslaget og sænk håndtaget fuldstændigt. Anvend en topnøgle til at dreje justeringsbolten, indtil klingeperiferien stikker en smule længere ned end overfladen på drejeskiven på det sted, hvor fronten på anslaget møder overfladen på drejeskiven.

Stadig med netstikket trukket ud, drejes savklingen med hånden, mens håndtaget holdes helt nede. Sørg for, at savklingen ikke berører nogen del af den nederste bund, når grebet er fuldt sænket. Genindstil om nødvendigt en smule.

Sæt altid efter justering stopperarmen tilbage til dens udgangsstilling ved at dreje den i retningen mod uret.

ADVARSEL:

- **Sørg altid for, når en ny klinge er monteret, og med maskinen taget ud af forbindelse, at klingens ikke kommer i berøring med nogen dele på den nedre bund, når grebet sænkes helt.** Hvis klingens kommer i berøring med bunden, kan resultatet blive tilbageslag med alvorlig tilskadekomst til følge.

Stoparm (Fig. 11)

Klingens nedre grænseposition kan nemt indstilles med stoparmen. For at indstille den, drejes stoparmen i pilens retning som vist på illustrationen. Indstil justeringsskruen således, at klingens stopper i den ønskede position, når håndtaget sænkes helt.

Justering af geringsnit (Fig. 12)

Tryk på grebet, så knasten går i indgreb, og drej den i retningen med uret, indtil den stopper. Drej drejeskiven, mens De trykker låsearmen ned. Når De har flyttet grebet til den stilling, hvor viseren peger på den ønskede vinkel på vinkelskalaen, skal De dreje grebet til 90° i retningen mod uret for at låse drejeskiven.

FORSIGTIG:

- Når geringsvinklen er ændret, skal De altid fastgøre drejeskiven ved at dreje grebet til 90° i retningen mod uret.

BEMÆRKNING:

- Når drejeskiven drejes, skal håndtaget været helt hævet.

Justering af skråvinklen (Fig. 13, 14 og 15)

For at justere vinklen ved skråsnit, løsnes håndtaget på bagsiden af maskinen i retningen mod uret. Tryk rigelarmen hele vejen fremefter som vist på illustrationen, idet du understøtter vægten af savhovedet, således at trykket på låsestiften mindskes.

Når slæden vippes til højre, skal De vippe slæden en smule, efter at De har løsnet armen, og tryk derefter på udløserknappen. Vip slæden til højre med udløserknappen trykket ind.

Kip savklingen, indtil viseren peger mod den ønskede vinkel på skråsnitskalaen. Stram derefter håndtaget for at holde armen på plads.

Når rigelarmen trækkes mod forenden af saven, kan savklingen låses med brug af positive stop til højre og venstre 22,5° og 33,9° vinkel på bundfladen.

Når rigelarmen trykkes mod bagenden af saven som vist på illustrationen, kan savklingen låses i enhver ønsket vinkel uden for den specificerede skråsnitvinkel.

FORSIGTIG:

- Efter ændring af skråsnitvinklen skal håndtaget altid sikres ved at håndtaget spændes stramt til.

BEMÆRKNING:

- Når savklingen vippes, skal De sørge for, at grebet er helt hævet.
- Husk, når skråvinklerne ændres, at placere indlægspladerne korrekt som forklaret i afsnittet "Placering af indlægsplade".

Skydelåsejustering (Fig. 16)

For at låse den nederste skydestang, skal De trække låsearmen mod forsiden af saven.

For at låse den øverste skydestang skal De dreje låseskruen i retningen med uret.

Afbryderfunktion

For europæiske lande (Fig. 17)

For at forhindre at afbryderkontakten trykkes ind ved et uheld, er maskinen udstyret med en aflåseknop. Maskinen startes ved at skubbe armen til venstre, trykke aflåseknappen ind og derefter trykke på afbryderkontakten. Slip afbryderkontakten for at stoppe.

ADVARSEL:

- **Før netstikket sættes i en stikkontakt, bør det altid kontrolleres, at afbryderkontakten fungerer korrekt og returnerer til "OFF" stillingen, når den slippes. Tryk ikke hårdt på afbryderkontakten, uden først at trykke aflåseknappen ind. Dette kan ødelægge afbryderkontakten.** Anvendelse af maskinen med en afbryderkontakt, som ikke fungerer korrekt, kan føre til, at De mister herredømmet over maskinen med alvorlig tilskadekomst som resultat.

Afbryderkontakten er forsynet et hul til indsættelse af en hængelås, så maskinen kan aflåses.

For alle andre lande end europæiske (Fig. 18)

For at forhindre at afbryderkontakten trykkes ind ved et uheld, er maskinen udstyret med en aflåseknop. Start maskinen ved at trykke aflåseknappen ind og dernæst trykke på afbryderkontakten. Slip afbryderkontakten for at stoppe.

ADVARSEL:

- **Før netstikket sættes i en stikkontakt, bør det altid kontrolleres, at afbryderkontakten fungerer korrekt og returnerer til "OFF" stillingen, når den slippes. Tryk ikke hårdt på afbryderkontakten, uden først at trykke aflåseknappen ind. Dette kan ødelægge afbryderkontakten.** Anvendelse af maskinen med en afbryderkontakt, som ikke fungerer korrekt, kan føre til, at De mister herredømmet over maskinen med alvorlig tilskadekomst som resultat.

Afbryderkontakten er forsynet et hul til indsættelse af en hængelås, så maskinen kan aflåses.

ADVARSEL:

- **Anvend ikke en lås med et skaft eller et kabel, som er mindre end 6,35 mm i diameter.** Et mindre skaft eller kabel vil muligvis ikke låse maskinen i fra-stilling og utilsigtet drift kan ske med alvorlig tilskadekomst som resultat.
- **Anvend ALDRIG maskinen, hvis afbryderkontakten ikke fungerer, som den skal.** Enhver maskine med en ikke-virkende afbryderkontakt er MEGET FARLIG og skal repareres før yderligere anvendelse, da alvorlig tilskadekomst ellers kan blive resultatet.
- Til sikring af Deres sikkerhed er denne maskine forsynet med en aflåseknop, der forhindrer utilsigtet start af maskinen. Anvend ALDRIG maskinen, hvis den kører, når blot De trykker på afbryderkontakten, uden at der først er trykket på aflåseknappen. En afbryderkontakt, der bør repareres, kan resultere i utilsigtet drift og alvorlig tilskadekomst. Indlevér maskinen til et Makita service center til reparation FØR yderligere anvendelse.
- Aflåseknappen må ALDRIG sættes ud af kraft ved at tape den fast eller på nogen anden måde. En afbryderkontakt med en aflåseknop, der er sat ud af kraft, kan resultere i utilsigtet drift og alvorlig tilskadekomst.

Tænd af lampen (Fig. 19)

Gælder kun model LS1016F og LS1016FL

FORSIGTIG:

- Denne lampe er ikke vandtæt. Vask ikke lampen med vand, og anvend den ikke på fugtige steder. Det kan medføre elektrisk stød.
- Berør ikke lampens linse, mens lampen er tændt, og umiddelbart efter at den slukkes, da linsen er meget varm. Berøring af den varme linse kan give forbrænding.
- Udsæt ikke lampen for voldsomme fysiske påvirkninger, da den kan blive beskadiget, eller dens levetid kan blive nedsat.
- Lad ikke lysstrålen falde direkte i øjnene. Det kan give øjensmerter eller øjenskader.
- Tildæk ikke lampen med klæde, karton, pap eller lignende materialer, mens lampen er tændt, da det kan blive årsag til brand.

For at tænde lyset, skal man trykke på den øverste del (I) af afbryderkontakten. For at slukke lyset, skal man trykke på den nederste del (O) af afbryderkontakten.

Flyt lampen for at oplyse et andet område.

BEMÆRK:

- Beryt en tør klud til at tørre smuds af lampens linse. Undgå at ridse lampens linse, da det kan medføre reduceret lysstyrke.

Elektronisk funktion

Konstant hastighedskontrol

- Maskinen er udstyret med en elektronisk hastighedskontrol, som bidrager til at opretholde en konstant rotationshastighed for klingens, selv under belastning. En konstant rotationshastighed for klingens vil resultere i et meget jævnt snit.

Funktion for blød start

- Denne funktion muliggør en problemfri start af maskinen ved at begrænse startmomentet.

Anvendelse af laserstråler

Gælder kun model LS1016F og LS1016FL

FORSIGTIG:

- Se aldrig ind i laserstrålen. Direkte bestråling kan føre til øjenskader.
- LASERBESTRÅLING. SE IKKE IND I STRÅLEN OG BETRAGT DEN IKKE GENNEM OPTISKE INSTRUMENTER. KLASSE 2M LASERPRODUKT.

For at aktivere laserstrålen, skal De trykke på den øverste del (I) af afbryderen. For at afbryde laserstrålen, skal De trykke på den nederste del (O) af afbryderkontakten.

(Fig. 20)

Laserlinien kan skiftes til enten venstre eller højre side af savklingen ved at man justerer skruen som vist herunder.

(Fig. 21)

1. Løsn justeringskruen ved at dreje den i retningen mod uret.
2. Med justeringskruen løsnet skydes justeringskruen mod højre eller venstre så langt som den kan komme.
3. Stram justeringskruen godt til i den position, hvor den holder op med at glide.

Laserlinien er på fabrikken indstillet således, at den er placeret indenfor 1 mm fra siden af klingens overflade (skæreposition).

BEMÆRK:

- Hvis laserlinjen forekommer svag og svær at se på grund af direkte sol, skal De udføre arbejdet på et sted, hvor der er mindre direkte sol.

Indstilling af laserlinien (Fig. 22)

Laserlinien kan flyttes til enten venstre eller højre side af klingens, alt efter skæremetoden. Vi henviser til forklaringen med overskriften "Anvendelse af laserstråler" angående metoden til flytning.

BEMÆRK:

- Anvend træanlæg mod anslaget, når skærelinien sættes ud for laserlinien på siden af anslaget ved kombineret snit (skråvinkel 45 grader og geringsvinkel til højre 45 grader).
 - A) Når den korrekte størrelse på venstre side af arbejdsstykket er opnået
 - Flyt laserlinien til venstre side af klingens.
 - B) Når den korrekte størrelse på højre side af arbejdsstykket er opnået
 - Flyt laserlinien til højre side af klingens.Sæt skærelinien på arbejdsstykket på linie med laserlinien.

SAMLING

ADVARSEL:

- **Sørg altid for at maskinen er slukket og netstikket trukket ud, før der arbejdes med maskinen.** Forsøgelse af at afbryde maskinen og tage den ud af forbindelse, kan resultere i alvorlig tilskadecomst.

Opbevaring af topnøgle (Fig. 23)

Topnøglen opbevares som vist på illustrationen.

Når topnøglen skal anvendes, kan den tages ud af topnøgleholderen.

Når topnøglen er blevet anvendt, kan den opbevares ved at man lægger den tilbage i topnøgleholderen.

Montering og afmontering af savklingen

ADVARSEL:

- **Sørg altid for at maskinen er slukket og netstikket trukket ud, før savklingen monteres eller afmonteres.** Utilsigtet start af maskinen kan resultere i alvorlig tilskadecomst.
- **Anvend kun den topnøgle, der er leveret af Makita til at montere eller afmontere savklingen.** Forsøgelse af at anvende nøglen kan resultere i overstrømning eller utilstrækkelig strømning af sekskantbolten og i alvorlig tilskadecomst.

Lås håndtaget i den hævede position ved at trykke stopstiften ind. (Fig. 24)

For at afmontere savklingen anvendes topnøglen til at løsne den sekskantbolt, der holder midterafdækningen, ved at dreje mod uret. Løft beskyttelsesskærmen og midterafdækningen. (Fig. 25)

Tryk på spindellåsen, således at savklingen ikke kan dreje, og løs sekskantbolten ved at dreje den med uret med topnøglen. Fjern derefter sekskantbolten, den ydre flange og savklingen. (Fig. 26)

BEMÆRK:

- Hvis den indre flange fjernes, skal De sørge for at montere den på spindelen med dens fremspring vendende bort fra klingens. Hvis flangen monteres forkert, vil den gnide mod maskinen.

ADVARSEL:

- **Inden De monterer klingens på spindelen, skal De altid sikre Dem, at den korrekte ring til dornhullet i den klinge, De agter at anvende, er monteret mellem den indre og ydre flange.** Anvendelse af den forkerte ring til dornhullet kan resultere i fejlagtig montering af klingens, hvilket forårsager bevægelse af klingens og kraftig vibration med risiko for at De mister herredømmet over maskinen under anvendelsen, og alvorlig tilskadecomst.

For at montere savklingen sættes denne på spindelen, idet De forvisser Dem om, at pilens retning på savklingen stemmer overens med pilens retning på klingehuset. Monter den ydre flange og sekskantbolten. Benyt derefter topnøglen til spænde sekskantbolten (venstreskåret gevind) fast ved at dreje den mod uret, mens der trykkes på spindellåsen. (Fig. 27 og 28)

Sæt beskyttelsesskærmen og midterafdækningen på plads. Stram dernæst sekskantbolten til med uret for at holde midterafdækningen på plads. Frigør håndtaget fra dets hævede position ved at trække i stopstiften. Sænk håndtaget for at sikre, at beskyttelsesskærmen bevæger sig korrekt. Sørg for, at spindellåsen er udløst, før det saves. (Fig. 29)

Støvpose (Fig. 30)

Anvendelse af støvposen gør skærearbejde renere og opsamling af støv nemmere. Støvposen sættes på ved at man anbringer den på støvtuden.

Når støvposen er cirka halvt fyldt, tages den af maskinen og lukkeskinnen trækkes ud. Tøm støvposen og bank let på den, så de støvpartikler, der har samlet sig på de indvendige flader og som kan nedsætte effektiviteten af støvopsamlingen, fjernes.

BEMÆRK:

- Hvis De tilslutter en Makita-støvsuger til denne maskine, kan renere udsugning opnås.

Støvbeholder (ekstraudstyr) (Fig. 31, 32 og 33)

Sæt støvbeholderen ind i støvmundstykket.

Tøm støvbeholderen, når det er nødvendigt.

For at tømme støvbeholderen, skal man åbne dækslet ved at trykke på knappen og derefter fjerne savsmuldet. Sæt dækslet tilbage til udgangsstillingen og lås det på plads. Støvbeholderen kan nemt tages af ved at man trækker den udad, idet man drejer den i nærheden af støvmundstykket på maskinen.

BEMÆRK:

- Hvis De slutter en Makita-støvsuger til denne maskine, kan en renere og mere effektiv udsugning opnås.

BEMÆRKNING:

- Tøm støvposen, inden niveauet af opsamlet savsmuld når cylindersektionen.

Fastspænding af emnet

ADVARSEL:

- **Det er yderst vigtigt altid at sørge for, at arbejdsstykket er ordentligt fastspændt i den rigtige type skruestik eller med kronefremspringsstoppere.** Forsømmelse af at gøre dette, kan resultere i alvorlig tilskadekomst og øve skade på maskinen og/eller arbejdsstykket.
- **Efter en skæring må klingens ikke hævs, før den er standset fuldstændigt.** Hvis en klinge, der kører i frihjul, hæves, kan det resultere i alvorlig tilskadekomst og øve skade på arbejdsstykket.
- **Når der skæres i et arbejdsstykke, som er længere end savens støtteplade, bør materialet understøttes i hele dets længde udover støttepladen og i den samme højde for at holde materialet plant.** En ordentlig støtte af arbejdsstykket vil bidrage til at undgå at klingens klemmes fast og til at undgå risiko for tilbageslag, som kan resultere i alvorlig tilskadekomst. Forlad Dem ikke udelukkende på den lodrette og/eller vandrette skruestik ved fastspænding af emnet. Tynde materialer har en tendens til at bøje. Understøt et emne i hele dets længde, så det udgås at klingens klemmes fast med TILBAGESLAG som resultat. (Fig. 34)

Justering af anslag (GLIDEANSLAG, som er øverste og nederste anslag)

ADVARSEL:

- Inden De begynder at anvende maskinen, skal De sikre Dem, at de øverste og nederste anslag er ordentligt fastgjorte.
- **Inden De udfører skrånsnit, skal De sikre Dem, at ingen del af maskinen, specielt klingens, er i berøring med de øverste og nederste anslag, når grebet sænkes og hæves helt i en hvilken som helst stilling og mens slæden flyttes hele vejen.** Hvis maskinen eller klingens kommer i berøring med anslaget, kan der opstå tilbageslag eller en uventet bevægelse af materialet med alvorlig tilskadekomst som resultat.

De nederste anslag kan flyttes indad og udad ved at man løsner fastspændingsskruerne. (Fig. 35)

Et rødt indikeringsområde vil komme frem, når de nederste anslag flyttes indad og vil forsvinde når de nederste anslag flyttes udad.

De øverste anslag kan fjernes eller flyttes indad og udad ved at man løsner armene. (Fig. 36)

I tilfælde af skrånsnit, skal man indstille stillingerne af de nederste og øverste anslag, så de kommer så tæt på klingens som praktisk muligt for at skaffe den maksimale støtte af arbejdsstykket, og sørge for, at ingen del af maskinen, specielt klingens, er i berøring med de nederste og øverste anslag, når grebet sænkes og hæves helt i en hvilken som helst stilling og mens slæden trækkes eller skubbes hele vejen ved den laveste stilling. (Fig. 37)

Inden en skæring laves, skal der udføres en prøvekørsel med maskinen slukket og taget ud af forbindelse, og afstanden mellem anslagene og de bevægende dele kontrolleres.

Inden en skæring laves, skal man fastgøre de nederste anslag godt ved at stramme fastspændingsskruerne og de øverste anslag ved at stramme armene.

Når skrånskæring er færdig, må man ikke glemme at sætte de øverste anslag tilbage til udgangsstillingen og sætte den tilbage.

Lodret skruestik (Fig. 38)

Den lodrette skruestik kan monteres i to stillinger på enten den venstre eller højre side af grundpladen. Sæt skruestangen ind i hullet på grundpladen.

Indstil skruearmen efter emnets tykkelse og form og fastspænd den ved hjælp af vingeskruen. Hvis skruen, der fastholder skruearmen kommer i berøring med slæden, skal De installere skruen på den anden side af skruearmen. Sørg for, at ingen del af maskinen kommer i kontakt med skruestikken, når håndtaget sænkes helt og slæden skubbes eller trækkes hele vejen. Hvis nogle dele berører skruestikken, bør skruearmen genindstilles.

Tryk emnet fladt imod anslaget og drejeskiven. Justér emnet til den ønskede skråsnitsmarkering og fastgør det ved at stramme skruen.

Hvis skruen drejes til 90° i retningen mod uret, kan skruen flyttes op og ned, hvorved en hurtig indstilling af arbejdsstykket gøres nemmere. For at fastgøre arbejdsstykket efter indstilling, skal De dreje skruen i retningen med uret.

ADVARSEL:

- **Emnet bør være helt fastspændt mod drejeskiven og anslaget med skruestikken under al arbejde.** Hvis arbejdsemnet ikke er ordentligt fastspændt mod anslaget, kan materialet flytte sig under skæringen, hvilket kan medføre skade på klingens og at materialet slynges ud, samt at De mister herredømmet over maskinen med alvorlig tilskadekomst som resultat.

Vandret skruestik (ekstraudstyr) (Fig. 39 og 40)

Den vandrette skruestik kan monteres enten på venstre eller højre side af bunden.

Når der skal laves geringssnit på 15° eller mere, skal den vandrette skruestik monteres på den side, der vender modsat af den retning, som drejeskiven skal drejes.

Ved at dreje møtrikken i retningen med uret, frigøres skruestikken, og bevæger sig hurtigt ind og ud. Arbejdsemnet gribes ved at man trykker skruen fremad, indtil skruen kommer i kontakt med arbejdsemnet og drejer møtrikken i retningen med uret. Drej derefter skruen med uret for at fastspænde arbejdsemnet.

Den maksimale bredde på arbejdsemnet, der kan fastspændes i den vandrette skruestik, er 215 mm.

ADVARSEL:

- **Drej altid skruestikens møtrik i retningen med uret, indtil arbejdsstykket er ordentligt fastspændt.** Hvis arbejdsstykket ikke er ordentligt fastspændt, kan materialet flytte sig under skæringen med risiko for skade på klingens, og med det resultat at materialet slynges ud, samt at De mister herredømmet over maskinen med alvorlig tilskadekomst som resultat.
- Ved skæring i tynde arbejdsstykker, som for eksempel grundplader, mod anslaget, skal en vandret skruestik altid anvendes.

Holdere (ekstraudstyr) (Fig. 41)

Holderne kan monteres på begge sider, hvilket er ideelt til at holde arbejdsemnet vandret. Lad holderstængerne glide ind i hullerne i bunden og indstil deres længde i overensstemmelse med det arbejdsemne, som skal fastholdes. Fastgør derefter holderne ordentligt med skruerne.

ADVARSEL:

- **Understøt altid et langt arbejdsstykke således, at det er på linje med drejeskivens øverste overflade, således at skæringen bliver nøjagtig og at der ikke opstår en farlig situation, hvor man mister herredømmet over maskinen.** En ordentlig understøttelse af arbejdsstykket bidrager til at undgå, at klingens klemmes fast, og forhindrer tilbageslag, som kan resultere i alvorlig tilskadekomst.

ANVENDELSE

BEMÆRKNING:

- Før betjening bør håndtaget altid frigøres fra den nederste stilling ved at man trækker i befæstelsesstiften.
- Læg ikke for meget tryk på håndtaget, når der saves. For kraftigt tryk kan resultere i overbelastning af motoren og/eller formindsket savekapacitet. Tryk kun håndtaget ned med så meget kraft, som der kræves for at udføre ubesværet savning og uden at klingens hastighed reduceres ret meget.
- Tryk forsigtigt håndtaget ned for at udføre savningen. Hvis håndtaget trykkes ned med magt, eller hvis det udsættes for sidelæns tryk, vibrerer savklingen og efterlader mærker (savmærker) på emnet, ligesom savningen ikke vil blive nøjagtig.
- Ved glidende snit skal slæden forsigtigt skubbes mod anslaget uden at stoppe. Hvis slæden stoppes under savningen, vil der komme et mærke på emnet og savningen vil heller ikke være nøjagtig.

ADVARSEL:

- **Sørg for at savklingen ikke berører emnet, el. lign. før maskinen startes.** Hvis man tænder for maskinen, mens klingens er i berøring med arbejdsstykket, er der risiko for tilbageslag og alvorlig tilskadekomst.

1. Savning ved tryk (små emner) (Fig. 42)

Emner op til 68 mm høje og 160 mm brede kan saves på følgende måde.

Når stopperarmen er drejet i retningen med uret og slæden er skubbet til den ønskede stilling, skal De skubbe slæden hele vejen mod anslaget og stramme låseskruen med uret og trække låsearmen mod forenden af saven for at fastgøre slæden. Fastgør arbejdsstykket korrekt med den rigtige type skruestik eller kronefremmspringsstoppere. Spænd emnet fast med skruestikken.

Tænd for maskinen, uden at klingens kommer i kontakt, og vent til klingens er kommet op på fulde omdrejninger, inden sænkning. Sænk derefter grebet til den helt sænkede position for at skære arbejdsstykket. Når snittet er afsluttet, slukkes maskinen hvorefter DE SKAL VENDE TIL SAVKLINGEN STÅR HELT STILLE før savhovedet bringes tilbage i dens øverste position.

ADVARSEL:

- **Stram låseskruen godt i retningen med uret og træk låsearmen mod forenden af saven, så slæden ikke flytter sig under arbejdet.** Utilstrækkelig stramning af låseskruen kan medføre tilbageslag, som kan resultere i alvorlig tilskadekomst.

2. Savning ved gliden (tryk) (skæring af brede arbejdsemner) (Fig. 43 og 44)

Løsn låseskruen i retningen mod uret og tryk også låsearmen fremad, således at slæden kan glide frit. Fastspænd arbejdsstykket med den rigtige type skruestik.

Tænd for maskinen, uden at klingens kommer i kontakt med emnet og vent, indtil klingens er kommet op på fuld hastighed. Tryk håndtaget ned og TRYK SLÆDEN MOD ANSLAGET OG GENNEM ARBEJDSSEMNET. Afbryd maskinen, når skæringen er færdig og VENDE TIL SAVKLINGEN STÅR HELT STILLE, inden De sætter klingens tilbage til den øverste position.

ADVARSEL:

- **Når De udfører et glidende snit, skal slæden først trækkes hele vejen mod Dem, mens grebet trykkes helt ned, og derefter skubbes slæden hele vejen mod anslaget. Start aldrig skæringen, hvis slæden ikke er trukket hele vejen mod Dem.** Hvis De foretager det glidende snit, uden at slæden er trukket hele vejen mod Dem, kan der opstå uventede tilbageslag med alvorlig tilskadekomst som resultat.
- **Forsøg aldrig at udføre et glidende snit ved at trække slæden mod Dem.** Hvis De trækker slæden mod Dem under skæring, kan der opstå uventede tilbageslag med alvorlig tilskadekomst som resultat.
- Udfør aldrig savning ved gliden med håndtaget låst i den nederste position.
- **Løsn aldrig knappen, som fastholder slæden, mens savklingen roterer.** En løs slæde under skæring kan bevirke, at der opstår uventede tilbageslag med alvorlig tilskadekomst som resultat.

3. Geringssnit

Vi henviser til det tidligere afsnit "Justering af geringssnit".

4. Skråsnit (Fig. 45)

Løsn armen og vip savklingen for at indstille vinklen til skråsnit (Se det tidligere afsnit "Justering af skråvinklen"). Sørg for at spænde armen godt fast igen, så skråsnitvinklen ikke ændrer sig. Fastspænd arbejdsemnet i skruestikken. Tænd for maskinen, uden af savklingen berører arbejdsemnet og vent, til klingens har nået fulde omdrejninger. Sænk derefter forsigtigt håndtaget til den laveste position, mens der lægges tryk parallelt med savklingen og SKUB SLÆDEN MOD ANSLAGET FOR AT SKÆRE ARBEJDSSEMNET. Når snittet er afsluttet, skal De slukke for maskinen og VENDE TIL SAVKLINGEN STÅR HELT STILLE, før savklingen bringes tilbage til dens øverste position.

ADVARSEL:

- **Sørg for, efter indstilling af klingens til skråskæring, og inden De anvender maskinen, at slæden og klingens kan bevæge sig uhindret gennem hele området for det planlagte snit.** Afbrydelse af slædens eller klingens bevægelse under skæringen, kan resultere i tilbageslag og alvorlig tilskadekomst.
- **Hold hænderne uden for klingens bane, når en skråskæring udføres.** Klingens vinkel kan forvirre operatøren med hensyn til klingens faktiske bane under skæringen, og kontakt med klingens vil føre til alvorlig tilskadekomst.

- **Klingen bør ikke hæves, før den er stoppet helt.** Under en skråningskæring, kan det afskårne stykke komme til at hvile mod klingen. Hvis klingen hæves, mens den roterer, kan det afskårne stykke blive slynget bort fra klingen, hvilket kan bevirke, at materialet fragmenteres, og hvilket kan føre til alvorlig tilskadekomst.

BEMÆRKNING:

- Når håndtaget trykkes ned, skal dette gøres samtidig med at savklingen trykkes ned. Hvis der bruges magt lodret på drejeskiven eller hvis trykket ændres under bearbejdningen, bliver det udførte arbejde ikke nøjagtigt.
- Inden skråningskæring udføres, kan en justering af det øverste anslag og det nederste anslag være påkrævet. Se afsnittet "Justerings af anslag".

5. Kombineret snit

Kombineret snit er betegnelsen for den proces, hvor der frembringes en skråvinkel samtidig med at der laves en geringsvinkel i emnet. Kombineret snit kan udføres i en vinkel som vist i nedenstående tabel.

Geringsvinkel	Skråvinkel
Venstre og højre 0 – 45°	Venstre og højre 0° – 45°

Ved venstre skråningskæring

Tabel (A)

	Frem Springsposition i Fig. 47 og 48	Skråvinkel		Geringsvinkel	
		52/38° type	45° type	52/38° type	45° type
Til indvendigt hjørne	(1)	Venstre 33,9°	Venstre 30°	Højre 31,6°	Højre 35,3°
	(2)			Venstre 31,6°	Venstre 35,3°
Til udvendigt hjørne	(3)			Højre 31,6°	Højre 35,3°
	(4)				

Tabel (B)

	Frem Springsposition i Fig. 47 og 48	Frem Springskant mod anslag	Færdiggjort stykke
Til indvendigt hjørne	(1)	Loftskontaktanten bør hvile mod anslaget.	Afsluttet stykke vil være på venstre side af klingen.
	(2)	Vægkontaktanten bør hvile mod anslaget.	
Til udvendigt hjørne	(3)	Loftskontaktanten bør hvile mod anslaget.	Afsluttet stykke vil være på højre side af klingen.
	(4)		

Eksempel:

I tilfælde af skæring af 52/38° type kronefrem spring til stilling (1) i **Fig. 47 og 48**:

- Vip og fastgør skråvinkelindstillingen til 33,9° VENSTRE.
- Juster og fastgør geringsvinkelindstillingen til 31,6° HØJRE.
- Læg kronefrem springet med den brede bagside (skjult) nedad på drejeskiven med dens LOFTSKONTAKTKANT mod anslaget på saven.
- Det færdige stykke, som skal anvendes, vil altid være på den VENSTRE side af klingen, efter at skæringen er lavet.

Se forklaringerne i afsnittene "Savning ved tryk", "Savning ved gliden", "Geringskæring" og "Skråningskæring", når De udfører kombinerede snit.

6. Skærekroner og indskæringsdele

Krone- og indskæringsdele kan skæres med en afkortergeringskæring med delene placeret fladt på drejeskiven.

Der er to almindelige typer kronefrem spring og en type indskæringsdel, 52/38° vægvinkelkronefrem spring, 45° vægvinkelkronefrem spring og 45° vægvinkelindskæringsdele. Se illustrationerne. (**Fig. 46**)

Der er krone- og indskæringsled, som er lavet til at passe "indvendige" 90° hjørner ((1) og (2) i **Fig. 47 og 48**) og "udvendige" 90° hjørner ((3) og (4) i **Fig. 47 og 48**).

Måling

Mål væglængden og juster arbejdsstykket på bordet for at skære vægkontaktanten til den ønskede længde. Sørg altid for, at det afskårne arbejdsstykkets længde **på bagsiden af arbejdsstykket** er den samme som væglængden. Indstil skærelængden for vinklen af skæringen. Anvend altid flere stykker til prøveskæringer for at kontrollere savvinklerne.

Når De skærer kronefrem spring og indskæringsdele, skal skråvinklen og geringsvinklen indstilles som indikeret i tabellen (A) og delene på topfladen af savpladen placeres som indikeret i tabellen (B).

Ved højre skrånit

Tabel (A)

	Frem Springsposition i Fig. 47 og 48	Skråvinkel		Geringsvinkel	
		52/38° type	45° type	52/38° type	45° type
Til indvendigt hjørne	(1)	Højre 33,9°	Højre 30°	Højre 31,6°	Højre 35,3°
	(2)			Venstre 31,6°	Venstre 35,3°
Til udvendigt hjørne	(3)			Højre 31,6°	Højre 35,3°
	(4)				

Tabel (B)

	Frem Springsposition i Fig. 47 og 48	Frem Springskant mod anslag	Færdiggjort stykke
Til indvendigt hjørne	(1)	Vægkontaktkanten bør hvile mod anslaget.	Afsluttet stykke vil være på højre side af klingens.
	(2)	Loftkontaktkanten bør hvile mod anslaget.	
Til udvendigt hjørne	(3)	Vægkontaktkanten bør hvile mod anslaget.	Afsluttet stykke vil være på venstre side af klingens.
	(4)		

Eksempel:

I tilfælde af skæring af 52/38° type kronfrem spring til stilling (1) i **Fig. 47 og 48**:

- Vip og fastgør skråvinkelindstillingen til 33,9° HØJRE.
- Juster og fastgør geringsvinkelindstillingen til 31,6° HØJRE.
- Læg kronfrem springet med den brede bagside (skjult) nedad på drejeskiven med dens VÆGKONTAKTKANT mod anslaget på saven.
- Det færdige stykke, som skal anvendes, vil altid være på den HØJRE side af klingens, efter at skæringen er lavet.

Kronfrem springsstoppere (ekstraudstyr) muliggør nemmere snit af kronfrem spring uden at vippe savklingen. Monter den på grundpladen som vist på illustrationerne. (**Fig. 49 og 50**)

Fig. 49: Ved højre 45° geringsvinkel

Fig. 50: Ved venstre 45° geringsvinkel

Anbring kronfrem springet med dens VÆGKONTAKTKANT mod anslaget og dens LOFTSKONTAKTKANT mod kronfrem springstopperne som vist på illustrationen (**Fig. 51**). Juster kronfrem springstopperne i overensstemmelse med størrelsen af kronfrem springene. Stram skrueerne for at fastgøre kronfrem springstopperne. Se tabellen (C) angående geringsvinklen.

Tabel (C)

	Frem Springsposition i Fig. 47 og 48	Geringsvinkel	Færdiggjort stykke
Til indvendigt hjørne	(1)	Højre 45°	Anvend stykke på højre side af klingens
	(2)	Venstre 45°	Anvend stykke på venstre side af klingens
Til udvendigt hjørne	(3)		Anvend stykke på højre side af klingens
	(4)	Højre 45°	Anvend stykke på venstre side af klingens

7. Skæring af aluminium-profiler

Når aluminium-profiler fastspændes, skal der anvendes en afstandsklod eller et stykke affaldstræ som vist i **Fig. 52** for at forhindre, at aluminiumet bliver bøjet eller beskadiget. Anvend skæreeolie, når der skæres aluminium-profiler for at forhindre, at der sætter sig aluminium på savklingen.

FORSIGTIG:

- **Forsøg aldrig at skære tykke eller runde aluminium-profiler.** Tykke eller runde aluminium-profiler kan være vanskelige at fastgøre og de kan blive løse under skæringen, hvilket kan føre til, at De mister herredømmet over maskinen, og alvorlig tilskadekomst.

8. Notskæring (Fig. 53)

En skæring af frisetypen kan udføres ved at man går frem som følger:

Indstil den nedre grænseposition for klingens ved hjælp af justeringsskruen og stoparmen for at begrænse savklingens skæredybde. Se det tidligere afsnit "Stoparm".

Når klingens nedre grænseposition er indstillet, skæres parallelle noter langs arbejdsemnet med anvendelse af savning med gliden (tryk) som vist på illustrationen. Fjern derefter materialet mellem noterne med en mejsel.

ADVARSEL:

- **Forsøg ikke at udføre denne type skæring ved at anvende en bredere type klinge eller friseskæringsklinge.** Forsøg på at udføre en notskæring med en bredere type klinge eller en friseskæringsklinge kan føre til uventede skæringsresultater og tilbageslag, hvilket kan føre til alvorlig tilskadecomst.
- **Sørg altid for at sætte stoparmen tilbage til udgangsstillingen, når De udfører anden notskæring.** Forsøg på at udføre skæringer med stopperarmen i en forkert stilling, kan føre til uventede skæringsresultater og tilbageslag, hvilket kan føre til alvorlig tilskadecomst.

Transport af maskinen

Sørg først for, at maskinen er taget ud af strømforbindelse. Fastgør klingens ved 0° skråningsvinkel og drej bunden til den fulde højre geringsvinkelposition. Fastgør skydestængerne således, at den nederste skydestang er låst i stillingen med slæden trukket helt mod operatøren og de øverste skydestænger er låst i stillingen med slæden skubbet helt frem til anslaget (se afsnittet med titlen "Skydelåsejustering"). Sænk håndtaget helt og lås det i den nederste position ved at trykke stopstiften ind. (Fig. 54)

Bær maskinen ved at holde i begge sider af maskinens bund som vist på illustrationen. Hvis De fjerner holderne, støvposen etc., bliver det nemmere at bære maskinen. (Fig. 55)

ADVARSEL:

- **Befæstelsesstiften er kun beregnet til transport- og opbevaringsformål og den bør aldrig anvendes til skæringer.** Anvendelse af befæstelsesstiften til skæringer kan føre til uventede skæringsresultater og tilbageslag, hvilket kan føre til alvorlig tilskadecomst.

FORSIGTIG:

- Fastgør altid bevægelige dele, før maskinen transporteres. Hvis dele af maskinen bevæger sig eller glider, når maskinen bæres, kan De miste herredømmet over maskinen eller tabe fodfæstet, hvilket kan resultere i alvorlig tilskadecomst.

VEDLIGHOLDELSE

ADVARSEL:

- **Kontrollér altid, at maskinen er slået fra, og at netstikket er trukket ud, før der udføres eftersyn eller vedligeholdelse.** Forsømmelse af at tage maskinen ud af forbindelse og slukke for den kan resultere i utilsigtet start af maskinen, hvilket kan resultere i alvorlig tilskadecomst.
- **Sørg altid for, at klingens er skarp og ren for at opnå det bedste resultat.** Forsøg på at skære med en sløv/snavset klinge kan medføre tilbageslag og resultere i alvorlig tilskadecomst.

BEMÆRKNING:

- Anvend aldrig benzin, rensbenzin, fortynder, alkohol og lignende. Resultatet kan blive misfarvning, deformation eller revner.

Indstilling af skærevinklen

Denne maskine er omhyggeligt indstillet og justeret fra fabrikkens side, men indstillingerne kan forandres under transport og brug. De kan selv foretage indstillinger, som beskrevet her, hvis maskinen ikke er indstillet korrekt:

1. Geringsvinkel

Flyt slæden mod anslaget og stram låseskruen i retningen mod uret og træk låsearmen mod forsiden af saven for at fastgøre slæden.

Drej grebet i retningen mod uret, hvilket fastgør drejeskiven. Drej drejeskiven, så viseren kommer til at stå ud for 0° på vinkelskalaen. Drej derefter en smule i retningen med og mod uret for at stille drejeskiven i 0° mærket. (Lad den være som den er, hvis viseren ikke står ud for 0°). Løsn sekskantboltene, som holder anslaget, med topnøglen.

Sænk håndtaget helt og lås det i den nederste position ved at skubbe stopstiften ind. Stram derefter sekskantboltene på anslaget godt til i rækkefølgen begyndende fra den højre side. (Fig. 56)

Sørg for at viseren står ud for 0° på vinkelskalaen. Hvis den ikke gør det, løsnes skruen, som holder viseren, og viseren justeres. (Fig. 57)

2. Skråvinkel

Tryk rigel-armen helt frem for at frigøre de positive stop.

1) 0° skråvinkel

Flyt slæden mod anslaget og stram låseskruen i retningen mod uret og træk låsearmen mod forsiden af saven for at fastgøre slæden. Sænk håndtaget fuldstændigt og lås det i den laveste position ved at skubbe låsestiften ind. Armen bag på maskinen løsnes. (Fig. 58)

Drej sekskantsboltens på højre side af armholderen to eller tre gange mod uret for at hælde savklingen mod højre. (Fig. 59)

Sæt savklingens side i en retvinkel til overfladen af drejeskiven ved hjælp af trekantslineal, anslagsvinkel, etc. ved at dreje sekskantsboltens på højre side af armholderen med uret. Stram armen til. (Fig. 60)

Sørg for, at de to visere på armholderen peger hver til 0° på skalaen på armen. Hvis de ikke peger mod 0°, skal skrue, der holder viserne, løsnes og justeres så de peger mod 0°. (Fig. 61)

2) 45° skråvinkel (Fig. 62)

Juster kun 45° skråvinklen efter at have udført justeringen for 0° skråvinklen. Juster 45° skråvinklen ved at løsne håndtaget og hælde klingens helt til venstre. Sørg for, at viseren på armholderen peger på 45° på skalaen på armen. Hvis viseren ikke peger på 45°, drejes den venstre 45° skråvinkeljusteringsbolt på siden af armen, indtil viseren peger på 45°. For at justere højre 45° skråvinkel, udføres samme procedure som den herover beskrevne.

Indstilling af laserliniens position (Fig. 63 og 64)

Gælder kun model LS1016L og LS1016FL

ADVARSEL:

- Eftersom maskinen skal være sat i forbindelse, mens laserlinjen justeres, skal man være særlig opmærksom på ikke at tænde for maskinen. Utilsigtet start af maskinen kan resultere i alvorlig tilskadekomst.

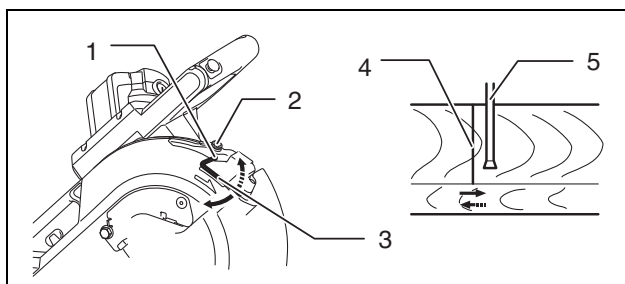
FORSIGTIG:

- Se aldrig direkte ind i laserstrålen. Hvis øjnene udsættes direkte for strålen, er der risiko for alvorlige øjenskader.
- LASERBESTRÅLING
Se ikke ind i strålen.

BEMÆRKNING:

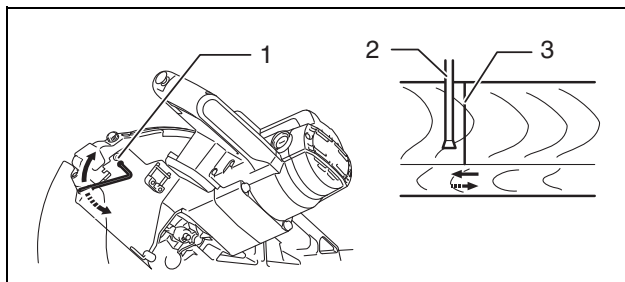
- Vær opmærksom på, at hvis maskinen udsættes for stød, kan laserlinjen blive skæv eller laseren kan lide skade med afkortning af dens levetid som resultat.

Justering af laserlinjen til venstre side af klingens.



- 1 Skruer til ændring af justeringsskruens flytbare område
- 2 Justeringsskrue
- 3 Sekskantnøgle
- 4 Laserlinie
- 5 Savklinge

Justering af laserlinjen til højre side af klingens.



- 1 Justeringsskrue
- 2 Savklinge
- 3 Laserlinie

Udfør følgende for begge indstillinger.

1. Kontroller, at maskinen er taget ud af forbindelse.
2. Lav skærelinien på arbejdsstykket og læg det på drejeskiven. På dette tidspunkt må arbejdsstykket ikke fastspændes med en skruestik eller en lignende fastspændingsanordning.
3. Sænk savklingen ved at sænke håndtaget og kontroller, hvor skærelinien og savklingens position er. (Bestem, hvilken position der skal skæres i på skærelinien).

4. Sæt grebet tilbage til dets udgangsstilling, når den korrekte position af linjen i forhold til klingens position er bestemt. Fastspænd arbejdsstykket med den lodrette skruestik, uden at flytte arbejdsstykket fra dets tidligere bekræftede stilling.
5. Tilslut maskinen og aktiver laserknappen.
6. Indstil laserliniens position som vist herunder.

Laserliniens position kan ændres i takt med at de bevægelige område for justeringsskruen for laseren ændres ved at man drejer to skruer med sekskantbolten. (Det bevægelige område for laserlinjen er fabriksindstillet indenfor 1 mm fra savklingens side).

For at flytte laserliniens bevægelige område længere væk fra savklingens side, skal De dreje de to skruer i retningen mod uret, når justeringsskruen er løsnet. Drej disse to skruer i retningen med uret for at føre den nærmere savklingens side, når justeringsskruerne er løsnet. Se afsnittet med titlen "Anvendelse af laserstråler" og indstil justeringsskruen således, at skærelinien på arbejdsstykket flugter med laserlinjen.

BEMÆRK:

- Kontroller med jævne mellemrum, om positionen af laserlinjen er præcis.
- Få maskinen repareret hos et servicecenter, der er autoriseret af Makita, hvis laserdelen ikke fungerer.

Rengøring af laserlyslinsen (Fig. 65 og 66)

Gælder kun model LS1016L og LS1016FL

Hvis linsen til laserlyset er blevet snavset, eller hvis savsmuld har sat sig fast på den på en sådan måde, at laserlinjen ikke længere er synlig, skal De tage maskinen ud af forbindelse og rengøre laserlyset omhyggeligt med en blød, fugtig klud. Der må ikke anvendes opløsningsmidler eller petroleumbaserede rengøringsmidler til rengøring af linsen.

Linsen til laserlyset fjernes ved at man afmonterer savklingen, inden linsen fjernes, i overensstemmelse med anvisningerne i afsnittet med titlen "Montering og afmontering af savklingen".

Løsn, men fjern ikke skruen, der holder linsen, ved hjælp af en skruetrækker.

Træk linsen ud som vist på illustrationen.

BEMÆRK:

- Hvis linsen ikke kommer ud, skal De løsne skruen yderligere og trække linsen ud igen uden at fjerne skruen.

Udskiftning af kulbørsterne (Fig. 67 og 68)

Tag kulbørsterne ud og efterse dem periodisk. Kullene skal udskiftes, når de er slidt ned til slidgrænsen. Hold kulbørsterne rene, så de altid passer ind i hullerne. Begge kulbørster bør udskiftes parvis og samtidigt. Anvend kun identiske kulbørster.

Benyt en skruetrækker til at fjerne kuldækslerne. Tag de slidte kulbørster ud, sæt de nye i, og fastgør kuldækslerne.

Sæt maskinen i forbindelse, efter at børsterne er skiftet ud, og køør børsterne til ved at køør maskinen uden belastning i omkring 10 minutter. Kontroller derefter maskinen, mens den køør, og den elektriske bremsefunktion, når afbyderkontakten slippes. Hvis den elektriske bremse ikke fungerer korrekt, skal maskinen indleveres til reparation hos et Makita service-center.

Efter anvendelse

- Efter anvendelse aftørres spåner eller støv, der måtte klæbe til maskinen, med en klud eller lignende. Hold beskyttelseskærmen ren som beskrevet i afsnittet "Beskyttelseskærm". Smør de glidende dele på maskinen med olie for at forhindre rustdannelse.
- Når maskinen skal opbevares, skal slæden trækkes helt mod Dem selv, så tappene bliver sat helt ind i drejeskiven.

For at opretholde produktets SIKKERHED og PÅLIDELIGHED, må istandsættelse, vedligeholdelse eller justering kun udføres af et autoriseret Makita service center med anvendelse af Makita reservedele.

TILBEHØR

ADVARSEL:

- **Dette udstyr og tilbehør bør anvendes sammen med Deres Makita maskine, sådan som det er beskrevet i denne brugsanvisning.** Anvendelse af andet ekstraudstyr eller tilbehør kan resultere i alvorlig tilskadekomst.
- **Anvend kun Makita ekstraudstyr eller tilbehør til det beregnede formål.** Misbrug af ekstraudstyr eller tilbehør kan resultere i alvorlig tilskadekomst.

Hvis De behøver hjælp ved valg af tilbehør eller ønsker yderligere informationer, bedes De kontakte Deres lokale Makita service center.

- Savklinger med stål- og hårdmetalplade

Geringssavklinger	Til jævn og præcis skæring af forskellige materialer.
Kombination	Klinge til generelt formål til hurtig og jævnt spaltesnit, krydssnit og geringssnit.
Krydsskæring	Til jævne tværløbssnit. Skærer rent mod åretegningen.
Fine krydsskæringer	Til sandfri snit mod åretegningen.
Geringssavklinger af ikke-jernholdigt metal	Til geringssnit i aluminium, kobber messing, rør og andre ikke-jernholdige metaller.

- Skruestik (vandret skruestik)
- Lodret skruestik
- Topnøgle 13
- Holder
- Støpøse
- Stoppersæt med kronefremmsprings
- Trekantet lineal
- Støvbeholder
- Sekskantnøgle (til LS1016L og LS1016FL)

Περιγραφή γενικής άποψης

1 Πείρος αναστολής	36 Θήκη λάμας	67 Δεξιός αναστολέας
2 Εξαγωνικός(οί) κοχλίας(ες)	37 Βέλος	μόρφωσης στέψης
3 Προφυλακτήρας λάμας	38 Εξωτερική φλάντζα	(προαιρετικό αξεσουάρ)
4 Πλάκα εγκοπής	39 Εσωτερική φλάντζα	68 Αριστερός αναστολέας
5 Λάμα πριονιού	40 Αξόνιο	μόρφωσης στέψης
6 Δόντια λάμας	41 Δακτύλιος	69 Δεξιός αναστολέας
7 Αριστερή κωνική κοπή	42 Στόμιο σκόνης	μόρφωσης στέψης
8 Ευθύγραμμο κόψιμο	43 Σάκος σκόνης	70 Ανάγλυφη μόρφωση στέψης
9 Δεξιά κωνική κοπή	44 Συνδετήρας	71 Μέγγενη
10 Μοχλός ασφάλισης	45 Κουτί σκόνης	72 Τάκος στήριξης
11 Βίδα	46 Κάλυμμα	73 Εκβολή αλουμινίου
12 Μπουλόνι ρύθμισης	47 Κουμπί	74 Κόψιμο αυλακώσεων με τη λάμα
13 Περιστροφική βάση	48 Τμήμα κυλίνδρου	75 Τριγωνικός κανόνας
14 Μοχλός αναστολέα	49 Πριονόσκηνη	76 Λοξή κλίμακα
15 Σωλήνας ολίσθησης	50 Υποστήριγμα	77 Πλάκα κλίμακας
16 Ανω επιφάνεια	51 Περιστροφική βάση	φαλτσοκοπής
περιστροφικής βάσης	52 Κοχλίες σύσφιξης	78 Κοχλίας ρύθμισης γωνίας 0°
17 Περιφέρεια λάμας	53 Πάνω φράχτης	79 Πλάκα κλίμακας
18 Φράκτης οδηγός	54 Κάτω φράχτης	80 Μπουλόνι ρύθμισης
19 Βίδα ρύθμισης	55 Κουμπί μέγγενης	αριστερής κωνικής γωνίας
20 Βραχίονας αναστολής	56 Βραχίονας μέγγενης	45°
21 Λαβή	57 Ράβδος μέγγενης	81 Μπουλόνι ρύθμισης δεξιάς
22 Έκκεντρο	58 Πλάκα μέγγενης	κωνικής γωνίας 45°
23 Μοχλός(οί)	59 Παξιμάδι μέγγενης	82 Τεμάχιο εργασίας
24 Μοχλός μανδάλωσης	60 Θήκη	83 Γραμμή λείζερ
25 Πλάκα κλίμακας	61 Ανάγλυφη μόρφωση στέψης	84 Κατακόρυφη μέγγενη
26 Κουμπί απελευθέρωσης	υπό γωνία 52/38°	85 Κατσαβίδι
27 Δείκτης	62 Ανάγλυφη μόρφωση στέψης	86 Βίδα (μόνο μία)
28 Κουμπί απασφάλισης	υπό γωνία 45°	87 Φακοί για την λάμπα λείζερ
29 Σκανδάλη διακόπτης	63 Μόρφωση κοιλωτής μαρκίζας	88 Σημάδι ορίου
30 Οπή λουκέτου	υπό γωνία 45°	89 Καπάκι θήκης ψήκτρας
31 Διακόπτης για λείζερ	64 Εσωτερική γωνία τοίχου	90 Κοχλίας ασφάλισης
32 Κοίλο κλειδί	65 Εξωτερική γωνία τοίχου	91 Διακόπτης φωτός
33 Θήκη κλειδιού	66 Αριστερός αναστολέας	92 Φως
34 Κεντρικό κάλυμμα	μόρφωσης στέψης	93 Κόκκινη περιοχή
35 Ασφάλιση άξονα	(προαιρετικό αξεσουάρ)	

ΠΡΟΔΙΑΓΡΑΦΕΣ

Μοντέλο

LS1016/LS1016L/LS1016F/LS1016FL

Διάμετρος λάμας

Για όλες τις χώρες εκτός των Ευρωπαϊκών χωρών 255 χιλ – 260 χιλ

Για τις Ευρωπαϊκές χώρες 260 χιλ

Διάμετρος τρύπας


Για όλες τις χώρες εκτός των Ευρωπαϊκών χωρών 25,4 χιλ

Για τις Ευρωπαϊκές χώρες 30 χιλ

Μεγ. ικανότητες κοπής (Υ x Π) με λάμα διαμέτρου 260 χιλ.

Λοξή γωνία	Κωνική γωνία		
	45° (αρ.)	0°	45° (δεξ.)
0°	42 χιλ x 310 χιλ	68 χιλ x 310 χιλ	29 χιλ x 310 χιλ
	58 χιλ x 279 χιλ	91 χιλ x 279 χιλ	43 χιλ x 279 χιλ
45° (δεξ. και αρ.)	42 χιλ x 218 χιλ	68 χιλ x 218 χιλ	29 χιλ x 218 χιλ
	58 χιλ x 197 χιλ	91 χιλ x 197 χιλ	43 χιλ x 197 χιλ
52° (δεξ. και αρ.)	-	68 χιλ x 190 χιλ	-
	-	91 χιλ x 171 χιλ	-
60° (δεξ.)	-	68 χιλ x 155 χιλ	-
	-	91 χιλ x 139 χιλ	-

Τύπος ανάγλυφης μόρφωσης στέψης 45° (με χρήση αναστολέα ανάγλυφης μόρφωσης στέψης)	168 χιλ
Σοβατεπί (H) (με χρήση οριζόντιας μέγγενης)	120 χιλ

Ταχύτητα χωρίς φορτίο (λεπ ⁻¹)	3.200
Τύπος λέιζερ (LS1016L, LS1016FL).....	Κόκκινο λέιζερ 650 nm, <1,6mW (Τάξη λέιζερ 2M)
Διαστάσεις (Μ x Π x Υ).....	718 χιλ x 640 χιλ x 671 χιλ
Βάρος καθαρό	
Για όλες τις χώρες εκτός των Ευρωπαϊκών χωρών	
LS1016.....	23,6 Χγρ
LS1016L/LS1016F	23,7 Χγρ
LS1016FL.....	23,8 Χγρ
Για τις Ευρωπαϊκές χώρες	
LS1016.....	24,1 Χγρ
LS1016L/LS1016F	24,2 Χγρ
LS1016FL.....	24,3 Χγρ
Κατηγορία ασφάλειας.....	 II

- Λόγω του συνεχιζόμενου προγράμματός έρευνας και ανάπτυξης, οι προδιαγραφές αυτές υπόκεινται σε αλλαγές χωρίς προειδοποίηση.
- Οι προδιαγραφές μπορεί να διαφέρουν από χώρα σε χώρα.
- Βάρος σύμφωνα με διαδικασία ΕΡΤΑ 01/2003

Προοριζόμενη χρήση

Το εργαλείο προορίζεται για ευθείες και λοξές κοπές ακριβείας σε ξύλο. Με τις κατάλληλες λάμες πριονιού, μπορεί επίσης να κόψει αλουμίνιο.

Παροχή ρεύματος

Το εργαλείο πρέπει να συνδεθεί σε παροχή ρεύματος ίδιας τάσης με αυτή που αναγράφεται στην πινακίδα του και μπορεί μόνο να λειτουργήσει με μονοφασικό εναλλασσόμενο ρεύμα. Έχει διπλή μόνωση σύμφωνα με τα Ευρωπαϊκά Πρότυπα και έτσι μπορεί να χρησιμοποιηθεί σε ρευματοδότες χωρίς γείωση.

GEA010-1

Γενικές προειδοποιήσεις ασφαλείας για το ηλεκτρικό εργαλείο

⚠ ΠΡΟΕΙΔΟΠΟΙΗΣΗ Διαβάστε όλες τις προειδοποιήσεις ασφαλείας και όλες τις οδηγίες. Η μη τήρηση των προειδοποιήσεων και οδηγιών ενδέχεται να καταλήξει σε ηλεκτροπληξία, πυρκαγιά ή/και σοβαρό τραυματισμό.

Φυλάξτε όλες τις προειδοποιήσεις και τις οδηγίες για μελλοντική παραπομπή.

ENB034-6

ΠΡΟΣΘΕΤΟΙ ΚΑΝΟΝΕΣ ΑΣΦΑΛΕΙΑΣ ΓΙΑ ΤΟ ΕΡΓΑΛΕΙΟ

1. Φοράτε προστατευτικά οφθαλμών.
2. Κρατάτε τα χέρια μακριά από την τροχιά της λάμας πριονιού. Αποφύγετε επαφή και με λάμες μικρής ταχύτητας. Μπορεί επίσης να προκαλέσουν σοβαρό τραυματισμό.
3. Μη χειρίζεστε το εργαλείο χωρίς τους προφυλακτήρες στη θέση τους. Ελέγξτε τον προφυλακτήρα λάμας για κανονικό κλείσιμο πριν από κάθε χρήση. Μη λειτουργείτε το πριόνι εάν ο προφυλακτήρας λάμας δεν κινείται ελεύθερα και δεν κλείνει αμέσως. Ποτέ μη σφίξετε ή δέσετε τον προφυλακτήρα λάμας στη θέση ανοίγματος.

4. **Μην εκτελείτε καμιά λειτουργία στο χέρι.** Το αντικείμενο εργασίας πρέπει να είναι ασφαλισμένο σταθερά στην περιστροφική βάση και στον φράκτη οδηγό με την μέγγενη σε κάθε λειτουργία. Ποτέ μη χρησιμοποιείτε το χέρι σας για να ασφαλίσετε το αντικείμενο εργασίας.
5. **Ποτέ μην αγγίζετε τη λάμα πριονιού.**
6. **Σταματείστε το εργαλείο και περιμένετε για τη λάμα πριονιού να σταματήσει πριν μετακινήσετε το αντικείμενο εργασίας ή αλλάξετε τις ρυθμίσεις.**
7. **Αποσυνδέστε το εργαλείο πριν αλλάξετε λάμα ή κάνετε συντήρηση.**
8. **Πάντοτε ασφαλίστε όλα τα κινούμενα τμήματα πριν μεταφέρετε το εργαλείο.**
9. **Ο πείρος αναστολής που κλειδώνει την κεφαλή του κόπτη κάτω είναι μόνο για τον σκοπό μεταφοράς και αποθήκευσης και όχι για λειτουργίες κοπής.**
10. **Μη χρησιμοποιείτε το εργαλείο όταν υπάρχουν κοντά εύφλεκτα υγρά ή αέρια.** Η ηλεκτρική λειτουργία του εργαλείου θα μπορούσε να προκαλέσει έκρηξη και πυρκαγιά όταν εκτεθεί σε εύφλεκτα υγρά ή αέρια.
11. **Ελέγχετε την λάμα προσεκτικά για ρωγμές ή ζημιές πριν την λειτουργία.** Αντικαταστήστε αμέσως μία λάμα με ρωγμές ή ζημιές.
12. **Χρησιμοποιείτε μόνο τις ειδικές φλάντζες για το εργαλείο αυτό.**
13. **Προσέξτε να μη κάνετε ζημιά στην άτρακτο, φλάντζες (ειδικά στην επιφάνεια εγκατάστασης) ή στο μπουλόνι.**
14. **Βεβαιώστε ότι η περιστροφική βάση είναι κατάλληλα ασφαλισμένη, ώστε να μη μετακινηθεί κατά την λειτουργία.**
15. **Για την ασφάλειά σας, αφαιρέστε τα αποκοπόμενα, μικρά τεμάχια, κλπ. από το τραπέζι πριν την λειτουργία.**
16. **Αποφύγετε την κοπή καρφιών.** Ελέγξτε και αφαιρέστε όλα τα καρφιά από το αντικείμενο εργασίας πριν την λειτουργία.
17. **Βεβαιώστε ότι ο άξονας ασφάλισης είναι ελεύθερος πριν ενεργοποιήσετε τον διακόπτη.**
18. **Βεβαιώστε ότι η λάμα δεν αγγίζει την περιστροφική βάση στην κατώτατη θέση.**

19. Κρατάτε σταθερά τη λαβή. Έχετε υπόψη σας ότι το πριόνι κινείται πάνω και κάτω ελαφρά κατά το ξεκίνημα και το σταμάτημα.
20. Βεβαιώνετε ότι η λάμα δεν αγγίζει το αντικείμενο εργασίας πριν την ενεργοποίηση του διακόπτη.
21. Πριν χρησιμοποιήσετε το εργαλείο στο πραγματικό αντικείμενο εργασίας, αφήστε το να τρέξει για λίγο. Παρακολουθείστε το για κραδασμούς ή ταλαντεύσεις που μπορεί να δείχνουν κακή εγκατάσταση ή κακή ισοζύγισή λάμας.
22. Περιμένετε μέχρι η λάμα να αποκτήσει πλήρη ταχύτητα πριν αρχίσετε να κόβετε.
23. Σταματήστε αμέσως την λειτουργία εάν παρατηρήσετε κάτι αφύσικο.
24. Μη προσπαθήσετε να κλειδώσετε την σκανδάλη στη θέση ON.
25. Να είστε πάντοτε σε κατάσταση ετοιμότητας, ιδιαίτερα όταν κάνετε επαναληπτικές και μονότονες εργασίες. Μην ξεγελαστείτε ποτέ ότι βρίσκεστε σε κατάσταση ασφάλειας. Οι λάμες είναι υπερβολικά αδυσώπητες.
26. Πάντοτε χρησιμοποιείτε τα ανταλλακτικά που συνιστώνται στο εγχειρίδιο αυτό. Χρήση ακατάλληλων ανταλλακτικών όπως λειαντικών τροχών μπορεί να προκαλέσουν τραυματισμό.
27. Μη χρησιμοποιήσετε το πριόνι για να κόψετε οτιδήποτε άλλο εκτός από αλουμίνιο, ξύλο ή παρόμοια υλικά.
28. Συνδέστε το πριόνι λοξότμησης σε μία συσκευή συλλογής σκόνης όταν πριονίζετε.
29. Επιλέγετε τις λάμες πριονιού ανάλογα με το υλικό που πρόκειται να κοπεί.
30. Προσέχετε όταν κάνετε εγκοπές.
31. Αντικαταστήστε την πλάκα εγκοπής όταν παρουσιάσει φθορά.
32. Μη χρησιμοποιείτε λάμες πριονιού κατασκευασμένες από ατσάλι υψηλής ταχύτητας.
33. Σκόνη προερχόμενη από την λειτουργία περιέχει χημικά τα οποία είναι γνωστά καρκινογόνα, προκαλούν γεννητικές δυσμορφίες ή άλλη αναπαραγωγική ζημιά. Μερικά παραδείγματα των χημικών αυτών είναι:
 - μόλυβδος από υλικά χρωματισμένα με ουσίες με βάση τον μόλυβδο
 - αρσενικό και χρώμιο από χημικώς επεξεργασμένη ξυλεία.
 Ο κίνδυνος από την έκθεση στις ουσίες αυτές διαφέρει, εξαρτώμενος από πόσο συχνά κάνετε το είδος αυτό της εργασίας. Για να μειώσετε την έκθεσή σας στα χημικά αυτά: εργάζεστε σε μία πολύ καλά αεριζόμενη αίθουσα και εργάζεστε με χρησιμοποίηση εγκεκριμένων εφοδίων ασφάλειας όπως π.χ. με εκείνες τις μάσκες σκόνης που είναι ειδικά σχεδιασμένες να συγκρατούν μικροσκοπικά σωματίδια.
34. Για την μείωση του προκαλούμενου θορύβου, πάντοτε σιγουρευτείτε ότι η λεπίδα είναι ακονισμένη και καθαρή.
35. Ο χρήστης είναι επαρκώς εκπαιδευμένος στην χρήση, ρύθμιση και λειτουργία του εργαλείου.
36. Χρησιμοποιείτε σωστά ακονισμένες λεπίδες πριονιού. Τηρείτε την μέγιστη ταχύτητα που είναι σημειωμένη στην λεπίδα πριονιού.

37. Μην αφαιρείτε αποκόμματα ή άλλα μέρη του αντικειμένου εργασίας από την περιοχή κοπής ενώ το εργαλείο λειτουργεί και η κεφαλή του πριονιού δεν βρίσκεται στην θέση ακινητοποίησης.
38. Να χρησιμοποιείτε δίσκους που συνιστά ο κατασκευαστής και συμμορφώνονται με το πρότυπο EN847-1.
39. Να φοράτε γάντια όταν χειρίζεστε δίσκους (οι δίσκοι να μεταφέρονται σε ειδική θήκη μεταφοράς, όταν αυτό είναι εφικτό) και υλικά ανώμαλης επιφάνειας.
40. Όταν το εργαλείο διαθέτει λείζερ, δεν επιτρέπεται η αντικατάσταση με άλλο τύπο λείζερ. Οι επισκευές να διενεργούνται μόνο με τον ενδεδειγμένο τρόπο.

ΦΥΛΑΞΤΕ ΤΙΣ ΟΔΗΓΙΕΣ ΑΥΤΕΣ

ΕΓΚΑΤΑΣΤΑΣΗ

Τοποθέτηση σε πάγκο

Όταν το εργαλείο μεταφέρεται, η λαβή κλειδώνεται στην χαμηλωμένη θέση από τον πείρο αναστολής. Ελευθερώστε τον πείρο αναστολής ασκώντας ελαφρά πίεση προς τα κάτω πάνω στη λαβή και τραβώντας τον πείρο αναστολής ταυτόχρονα. (Εικ. 1)

ΠΡΟΕΙΔΟΠΟΙΗΣΗ:

- Βεβαιωθείτε ότι το εργαλείο δεν θα μετακινηθεί πάνω στην επιφάνεια στήριξης. Η μετακίνηση του δισκοπριονίου φалтσοκοπής πάνω στην επιφάνεια στήριξης κατά την κοπή ενδέχεται να καταλήξει σε απώλεια ελέγχου και σοβαρό τραυματισμό.

Αυτό το εργαλείο πρέπει να στερεώνεται με τέσσερα μπουλόνια σε μία επίπεδη και σταθερή επιφάνεια χρησιμοποιώντας τις τρύπες μπουλονιών που είναι στη βάση του εργαλείου. Αυτό βοηθάει στην αποφυγή ανατροπής και πιθανού τρυματισμού. (Εικ. 2)

ΠΕΡΙΓΡΑΦΗ ΛΕΙΤΟΥΡΓΙΑΣ

ΠΡΟΕΙΔΟΠΟΙΗΣΗ:

- Πάντοτε βεβαιώνετε ότι το εργαλείο είναι σβηστό και αποσυνδεδεμένο από το ρεύμα πριν ρυθμίσετε ή ελέγξετε κάποια λειτουργία στο εργαλείο. Η μη απενεργοποίηση και αποσύνδεση του εργαλείου ενδέχεται να καταλήξει σε σοβαρό τραυματισμό λόγω τυχαίας εκκίνησης.

Προφυλακτήρας λάμας (Εικ. 3 και 4)

Όταν χαμηλώνετε την λαβή, ο προφυλακτήρας λάμας ανυψώνεται αυτόματα. Ο Προφυλακτήρας λάμας επιστρέφει στην αρχική του θέση όταν η κοπή έχει συμπληρωθεί και η λαβή έχει σηκωθεί.

ΠΡΟΕΙΔΟΠΟΙΗΣΗ:

- Ποτέ μην εξουδετερώσετε ή αφαιρέσετε τον προφυλακτήρα ή το ελατήριο που προσαρμόζεται στον προφυλακτήρα. Ένας εκτεθειμένος δίσκος λόγω αχρήστευσης του προφυλακτήρα ενδέχεται να καταλήξει σε σοβαρό τραυματισμό στη διάρκεια της λειτουργίας.

Γιά χάρι της προσωπικής σας ασφάλειας, πάντοτε διατηρείτε τον προφυλακτήρα λάμας σε καλή κατάσταση. Οποιαδήποτε ανώμαλη λειτουργία του προφυλακτήρα λάμας πρέπει να διορθώνεται αμέσως. Ελέγξτε να βεβαιωθείτε για την δράση του ελατηρίου επαναφοράς του προφυλακτήρα.

ΠΡΟΕΙΔΟΠΟΙΗΣΗ:

• **Ποτέ μην χρησιμοποιείτε το εργαλείο εάν ο προφυλακτήρα λάμας ή το ελατήριο έχουν πάθει ζημιά, βλάβη ή έχουν αφαιρεθεί.** Η λειτουργία του εργαλείου με προφυλακτήρα ο οποίος έχει υποστεί ζημιά, είναι ελαττωματικός ή έχει αφαιρεθεί ενδέχεται να καταλήξει σε σοβαρό τραυματισμό.

Εάν το διαφανές προφυλακτικό λάμας λερωθεί, ή πριονόσκονη κολλήσει επάνω του με τέτοιο τρόπο έτσι ώστε η λάμα και /ή το αντικείμενο εργασίας δεν είναι ορατά, αποσυνδέστε το πριόνι και καθαρίστε το προφυλακτικό προσεκτικά με ένα νωπό ύφασμα. Μην χρησιμοποιείτε διαλυτικά ή καθαριστικά με βάση το πετρέλαιο στον πλαστικό προφυλακτήρα επειδή αυτό ενδέχεται να προκαλέσει φθορά στον προφυλακτήρα. Εάν ο προφυλακτήρας του δίσκου λερώσει και απαιτείται καθαρισμός του για σωστή λειτουργία, ακολουθήστε τα βήματα κατωτέρω:

Έχοντας απενεργοποιήσει και αποσυνδέσει το εργαλείο, χρησιμοποιήστε το παρεχόμενο κοίλο κλειδί περικοχλίων για να ξεσφίξετε τον εξαγωνικό κοχλία συγκράτησης του κεντρικού καλύμματος. Χαλαρώστε το εξαγωνό μπουλόνι γυρίζοντας το αριστερόστροφα και ανυψώστε τον προφυλακτήρα λάμας και το κεντρικό κάλυμμα.

Με τον προφυλακτήρα λάμας στη θέση αυτή, το καθαρίσμα μπορεί να γίνει καλύτερα και πληρέστερα. Όταν το καθαρίσμα ολοκληρωθεί ακολουθείστε αντίστροφη πορεία και ασφαλίστε το μπουλόνι. Μην αφαιρέσετε το ελατήριο κρατήματος του προφυλακτήρα λάμας. Εάν ο προφυλακτήρας υποστεί φθορά λόγω γήρανσης ή έκθεσης σε ακτινοβολία UV, απευθυνθείτε σε κάποιο κέντρο σέρβις της Μάκιτα για νέο προφυλακτήρα.

ΜΗΝ ΕΞΟΥΔΕΤΕΡΩΣΕΤΕ Η ΑΦΑΙΡΕΣΕΤΕ ΤΟΝ ΠΡΟΦΥΛΑΚΤΗΡΑ.

Τοποθέτηση της σανίδας εγκοπής (Εικ. 5, 6 και 7)

Αυτό το εργαλείο είναι εφωδιασμένο με τις σανίδες εγκοπών στην περιστροφική βάση του για να ελαχιστοποιεί το σχίσιμο στην πλευρά εξόδου κοπής. Οι σανίδες εγκοπών είναι εργοστασιακά ρυθμισμένες έτσι ώστε η λάμα πριονιού δεν τις αγγίζει. Πριν από την χρήση, ρυθμίστε τις σανίδες εγκοπών ως εξής:

Πρώτα, αποσυνδέστε το εργαλείο από το ρεύμα. Χαλαρώστε όλες τις βίδες (από 2 στα αριστερά και δεξιά) που ασφαλίζουν τις σανίδες εγκοπών. Ξανασφίγστε τις σε σημείο που να μπορούν να μετακινούνται εύκολα με το χέρι. Χαμηλώστε την λαβή πλήρως και σπρώχτε μέσα τον πείρο αναστολής να κλειδώσει την λαβή στην χαμηλωμένη θέση. Ξεσφίξτε, γυρίζοντας αριστερόστροφα, τον κοχλία ασφάλισης, που ασφαρίζει τους πάνω στύλους ολίσθησης και επιπλέον ωθήστε προς τα εμπρός το μοχλό ασφάλισης που ασφαρίζει τους κάτω στύλους ολίσθησης. Τραβήχτε την κινητή βάση προς το μέρος σας εντελώς. Ρυθμίστε τις σανίδες εγκοπών έτσι ώστε οι σανίδες μόλις αγγίζουν τις πλευρές των δοντιών των λαμών. Σφίχτε τις

εμπρόσθιες βίδες (όχι σφιχτά). Σπρώχτε την κινητή βάση προς τον φράκτη οδηγό εντελώς και ρυθμίστε τις σανίδες εγκοπών έτσι ώστε οι σανίδες μόλις αγγίζουν τις πλευρές των δοντιών των λαμών. Σφίχτε τις οπίσθιες βίδες (όχι σφιχτά). Αφού ρυθμίσετε τις σανίδες εγκοπών, αφήστε τον πείρο αναστολής και σηκώστε την λαβή. Μετά σφίχτε όλες τις λαβές με ασφάλεια.

ΑΝΑΚΟΙΝΩΣΗ:

• **Μόλις ρυθμίσετε τη γωνία φάλτσκοπής, βεβαιωθείτε ότι οι πλάκες εγκοπής είναι ρυθμισμένες κατάλληλα.** Η σωστή ρύθμιση των πλακών εγκοπής διευκολύνει τη κατάλληλη στήριξη του τεμαχίου εργασίας ελαχιστοποιώντας το σχίσιμο του τεμαχίου εργασίας.

Διατήρηση της μέγιστης ικανότητας κοπής (Εικ. 8, 9 και 10)

Αυτό το εργαλείο είναι ρυθμισμένο από το εργοστάσιο να παρέχει την μέγιστη ικανότητα κοπής για λάμα πριονιού 260 χιλ.

Αποσυνδέστε το εργαλείο πριν επιχειρήσετε οποιαδήποτε ρύθμιση.

Όταν εγκαθιστάτε μια νέα λάμα, πάντοτε ελέγχετε την θέση του χαμηλότερου ορίου της λάμας και εάν είναι απαραίτητο, ρυθμίστε τη ως εξής:

Πρώτα αποσυνδέστε το εργαλείο. Χαμηλώστε το μοχλό αναστολέα ώστε ο δίσκος να τοποθετηθεί όπως υποδεικνύεται στην εικόνα. Σπρώξτε τη κινητή βάση πλήρως προς το οδηγό φράκτη και χαμηλώστε τη χειρολαβή εντελώς. Χρησιμοποιήστε το κοίλο κλειδί για να γυρίσετε το μπουλόνι ρύθμισης μέχρι η περιφέρεια της λάμας να εκτείνεται ελαφρά κάτω από την άνω επιφάνεια της περιστροφικής βάσης στο σημείο όπου το εμπρόσθιο πρόσωπο του φράκτη οδηγού συναντάει την άνω επιφάνεια της περιστροφικής βάσης.

Με το εργαλείο αποσυνδεδεμένο, περιστρέψτε τη λάμα με το χέρι ενώ κρατάτε την λαβή εντελώς κάτω σιγουρεύοντας ότι η λάμα δεν κάνει επαφή με κανένα μέρος της χαμηλότερης βάσης. Επαναρρυθμίστε ελαφρά, αν είναι απαραίτητο.

Μετά από τη ρύθμιση, να επαναφέρετε πάντα το μοχλό αναστολέα στην αρχική του θέση περιστρέφοντάς τον αριστερόστροφα.

ΠΡΟΕΙΔΟΠΟΙΗΣΗ:

• **Μετά από την τοποθέτηση νέου δίσκου και με αποσυνδεδεμένο το εργαλείο, φροντίστε κάθε φορά ώστε ο δίσκος να μην έρχεται σε επαφή με οποιοδήποτε μέρος της κάτω βάσης όταν χαμηλώνετε πλήρως τη λαβή.** Σε περίπτωση επαφής του δίσκου με τη βάση, ενδέχεται να προκληθεί ανάκρουση και σοβαρός τραυματισμός.

Βραχίονας αναστολής (Εικ. 11)

Η χαμηλή οριακή θέση της λάμας μπορεί να ρυθμιστεί εύκολα με τον βραχίονα αναστολής. Για να ρυθμίσετε, περιστρέψτε τον βραχίονα αναστολής κατά την διεύθυνση του βέλους όπως φαίνεται στην εικόνα. Ρυθμίστε την βίδα ρύθμισης έτσι ώστε η λάμα σταματά στην επιθυμητή θέση όταν η λαβή χαμηλώνεται πλήρως.

Ρύθμιση της λοξής γωνίας (Εικ. 12)

Ωθήστε τη λαβή, ώστε να επιτευχθεί ζεύξη του εκκέντρου και περιστρέψτε δεξιόστροφα έως ότου σταματήσει. Γυρίστε την περιστροφική βάση, ενώ πιέζετε το μοχλό ασφάλισης προς τα κάτω. Όταν έχετε μετακινήσει τη λαβή στη θέση όπου ο δείκτης υποδεικνύει την επιθυμητή γωνία στην κλίμακα λοξοτομής, γυρίστε τη λαβή κατά 90° αριστερόστροφα ώστε να ασφαλίσετε την περιστροφική βάση.

ΠΡΟΣΟΧΗ:

- Μετά από την αλλαγή της γωνίας λοξοτομής, να ασφαλίσετε πάντα την περιστροφική βάση γυρίζοντας τη λαβή κατά 90° αριστερόστροφα.

ΑΝΑΚΟΙΝΩΣΗ:

- Όταν γυρίζετε την περιστροφική βάση, βεβαιώνετε ότι ανυψώνετε την λαβή εντελώς.

Ρύθμιση της κωνικής γωνίας (Εικ. 13, 14 και 15)

Για να ρυθμίσετε την κωνική γωνία, χαλαρώστε τον μοχλό στο πίσω μέρος του εργαλείου αριστερόστροφα. Ωθήστε το μοχλό μανδάλωσης πλήρως προς τα εμπρός, όπως υποδεικνύεται στην εικόνα, ενόσω συγκρατείτε το βάρος της κεφαλής του πριονιού, ώστε να μην ασκείται πίεση στον πείρο ασφάλισης.

Όταν δίνετε κλίση στην κινητή βάση προς τα δεξιά, δώστε μια ελαφριά κλίση στην κινητή βάση προς τα αριστερά μόλις χαλαρώσετε το μοχλό και πιέσετε το κουμπί απελευθέρωσης. Συνεχίζοντας να πιέζετε το κουμπί απελευθέρωσης, δώστε κλίση στην κινητή βάση προς τα δεξιά.

Γείρετε την λάμα μέχρι ο δείκτης να δείχνει στην επιθυμητή γωνία στην κωνική κλίμακα. Μετά σφίχτε τον μοχλό σταθερά δεξιόστροφα να ασφαλίσετε τον βραχίονα.

Όταν τραβήξετε το μοχλό μανδάλωσης προς το μπροστινό μέρος του δισκοπριονιού, μπορείτε να ασφαλίσετε το δίσκο χρησιμοποιώντας σταθερά άκρα στα δεξιά και αριστερά υπό γωνία 22,5 ° και 33,9 ° προς την επιφάνεια της βάσης.

Όταν ωθήσετε το μοχλό μανδάλωσης προς το πίσω μέρος του δισκοπριονιού όπως υποδεικνύεται στην εικόνα, μπορείτε να ασφαλίσετε το δίσκο σε οποιαδήποτε επιθυμητή γωνία εντός του καθορισμένου εύρους γωνιών φάλτσοκοπής.

ΠΡΟΣΟΧΗ:

- Αφού αλλάξετε την κωνική γωνία, πάντοτε ασφαλίστε τον βραχίονα σφίγγοντας τον μοχλό δεξιόστροφα.

ΑΝΑΚΟΙΝΩΣΗ:

- Όταν δίνετε κλίση στο δίσκο, να φροντίζετε ώστε η λαβή να είναι πλήρως ανυψωμένη.
- Όταν αλλάζετε κωνικές γωνίες, βεβαιώνετε ότι τοποθετείτε τις σανίδες εγκοπών κατάλληλα όπως εξηγείται στο τμήμα «Τοποθέτηση της σανίδας εγκοπής».

Ρύθμιση ασφάλισης ολίσθησης (Εικ. 16)

Για να ασφαλίσετε τον κάτω στύλο ολίσθησης, τραβήξτε το μοχλό ασφάλισης προς το μπροστινό μέρος του δισκοπριονιού.

Για να ασφαλίσετε τον πάνω στύλο ολίσθησης, γυρίστε τον κοχλία ασφάλισης δεξιόστροφα.

Λειτουργία διακόπτη

Για Ευρωπαϊκές χώρες (Εικ. 17)

Για να εμποδιστεί το τυχαίο τράβηγμα της σκανδάλης διακόπτη, ένα κουμπί απασφάλισης έχει προβλεφθεί. Για να ξεκινήσετε το μηχάνημα, σπρώξτε το μοχλό προς τα αριστερά, πατήστε προς τα μέσα το κουμπί απασφάλισης και τραβήξτε τη σκανδάλη. Ελευθερώστε τη σκανδάλη διακόπτη να σταματήσει.

ΠΡΟΕΙΔΟΠΟΙΗΣΗ:

- **Πριν συνδέσετε το εργαλείο στο ρεύμα, πάντοτε ελέγχετε να δείτε ότι η σκανδάλη διακόπτη ενεργοποιείται κανονικά και επιστρέφει στην θέση «OFF» όταν ελευθερώνεται. Μη τραβάτε την σκανδάλη διακόπτη δυνατά χωρίς να πατήσετε μέσα το κουμπί απασφάλισης. Αυτό μπορεί να προκαλέσει βλάβη του διακόπτη.** Η λειτουργία ενός εργαλείου με διακόπτη ο οποίος δεν ενεργοποιείται κατάλληλα μπορεί να οδηγήσει σε απώλεια ελέγχου και σοβαρό τραυματισμό.

Παρέχεται οπή στη σκανδάλη ενεργοποίησης για την εισαγωγή λουκέτου, ώστε να επιτυγχάνεται κλειδωμά του εργαλείου.

Για όλες τις χώρες εκτός των Ευρωπαϊκών χωρών (Εικ. 18)

Για να εμποδιστεί το τυχαίο τράβηγμα της σκανδάλης διακόπτη, ένα κουμπί απασφάλισης έχει προβλεφθεί. Για να ξεκινήσετε το εργαλείο, πατήστε το κουμπί απασφάλισης και τραβήξτε τη σκανδάλη διακόπτη. Ελευθερώστε τη σκανδάλη διακόπτη να σταματήσει.

ΠΡΟΕΙΔΟΠΟΙΗΣΗ:

- **Πριν συνδέσετε το εργαλείο στο ρεύμα, πάντοτε ελέγχετε να δείτε ότι η σκανδάλη διακόπτη ενεργοποιείται κανονικά και επιστρέφει στην θέση «OFF» όταν ελευθερώνεται. Μη τραβάτε την σκανδάλη διακόπτη δυνατά χωρίς να πατήσετε μέσα το κουμπί απασφάλισης. Αυτό μπορεί να προκαλέσει βλάβη του διακόπτη.** Η λειτουργία ενός εργαλείου με διακόπτη ο οποίος δεν ενεργοποιείται κατάλληλα μπορεί να οδηγήσει σε απώλεια ελέγχου και σοβαρό τραυματισμό.

Παρέχεται οπή στη σκανδάλη ενεργοποίησης για την εισαγωγή λουκέτου, ώστε να επιτυγχάνεται κλειδωμά του εργαλείου.

ΠΡΟΕΙΔΟΠΟΙΗΣΗ:

- **Μη χρησιμοποιείτε λουκέτο με στέλεχος ή συρματόσχοινο διαμέτρου μικρότερης από 6,35 χιλ.** Ένα μικρότερο στέλεχος ή καλώδιο ενδέχεται να μην ασφαλίσει κατάλληλα το εργαλείο στη θέση OFF και ενδέχεται να προκληθεί ανεπιθύμητη λειτουργία και πρόκληση σοβαρού τραυματισμού.
- **ΠΟΤΕ μη χρησιμοποιήσετε εργαλείο χωρίς πλήρως λειτουργική σκανδάλη διακόπτη.** Οποιοδήποτε εργαλείο με διακόπτη εκτός λειτουργίας είναι ΕΞΑΙΡΕΤΙΚΑ ΕΠΙΚΙΝΔΥΝΟ και απαιτείται επισκευή του πριν από περαιτέρω χρήση, διαφορετικά ενδέχεται να προκληθεί σοβαρός τραυματισμός.

- Για την ασφάλειά σας, αυτό το εργαλείο είναι εφωδιασμένο με ένα κουμπί απασφάλισης που εμποδίζει το εργαλείο να ξεκινήσει άσκοπα. ΠΟΤΕ μη χρησιμοποιείτε το εργαλείο εάν τρέχει όταν απλώς πατάτε την σκανδάλη χωρίς να πατήσετε το κουμπί απασφάλισης. Διακόπτης ο οποίος απαιτεί επισκευή ενδέχεται να καταλήξει σε ανεπιθύμητη λειτουργία και την πρόκληση σοβαρού τραυματισμού. Επιστρέψτε το εργαλείο σε ένα κέντρο εξυπηρέτησης Μάκιτα για κανονικές επισκευές ΠΡΙΝ περαιτέρω χρήση.
- Μην αχρηστεύετε ΠΟΤΕ το κουμπί ασφάλισης χρησιμοποιώντας αυτοκόλλητη ταινία ή με άλλο τρόπο. Διακόπτης με αχρηστευμένο κουμπί ασφάλισης ενδέχεται να καταλήξει σε ανεπιθύμητη λειτουργία και την πρόκληση σοβαρού τραυματισμού.

Αναμμα των λαμπών (Εικ. 19)

Μόνο για τα μοντέλα LS1016F και LS1016FL

ΠΡΟΣΟΧΗ:

- Το φως αυτό δεν είναι αδιάβροχο. Μη πλύνετε το φως με νερό ούτε να το χρησιμοποιήσετε στη βροχή ή σε υγρή τοποθεσία. Τέτοια χρήση μπορεί να προκαλέσει ηλεκτροπληξία και καπνό.
- Μην αγγίζετε τους φακούς του φωτός, γιατί είναι πολύ θερμό όταν είναι αναμμένο ή αμέσως αφού έχει σβήσει. Αυτό μπορεί να προκαλέσει έγκαυμα στο ανθρώπινο σώμα.
- Μη χτυπήσετε το φως γιατί μπορεί να προκληθεί ζημιά ή μικρότερη διάρκεια ζωής.
- Μη ρίχνετε την ακτίνα φωτός στα μάτια σας. Μπορεί να προκληθεί πόνος στα μάτια.
- Μη καλύπτετε το φως με ρούχα, κουτιά, χαρτόνια ή παρόμοια υλικά ενώ είναι αναμμένο, γιατί μπορεί να προκαλέσει φωτιά ή ανάφλεξη.

Για να ανάψετε το φως, πιέστε την άνω θέση (I) του διακόπτη. Για να σβήσετε το φως, πιέστε την κάτω θέση (O) του διακόπτη.

Μετακινείστε το φως για να φωτίσετε άλλη περιοχή.

ΣΗΜΕΙΩΣΗ:

- Χρησιμοποιείτε ένα στεγνό πανί για να σφουγγίσετε τους ρύπους από τους φακούς της λάμπας. Προσέχετε να μην γρατσουνίσετε τους φακούς της λάμπας γιατί μπορεί να προκληθεί μείωση φωτισμού.

Ηλεκτρονική λειτουργία

Σταθερός έλεγχος ταχύτητας

- Το εργαλείο διαθέτει ηλεκτρονικό έλεγχο ταχύτητας ο οποίος διευκολύνει τη διατήρηση σταθερής ταχύτητας περιστροφής του δίσκου ακόμη και υπό φορτίο. Η σταθερή ταχύτητα περιστροφής του δίσκου έχει ως αποτέλεσμα μια πολύ λεία τομή.

Δυνατότητα ομαλής εκκίνησης

- Αυτή η λειτουργία επιτρέπει την ομαλή εκκίνηση του εργαλείου περιορίζοντας τη ροπή εκκίνησης.

Ενέργεια ακτίνας λέιζερ

Μόνο για τα μοντέλα LS1016L και LS1016FL

ΠΡΟΣΟΧΗ:

- Ποτέ μη κυττάτε μέσα στην ακτίνα λέιζερ. Απευθείας κύτταγμα της ακτίνας λέιζερ θα τραυματίσει τα μάτια σας.

- ΑΚΤΙΝΟΒΟΛΙΑ ΛΕΙΖΕΡ, ΜΗ ΚΥΤΤΑΤΕ ΜΕΣΑ ΣΤΗΝ ΑΚΤΙΝΑ Ή ΒΛΕΠΕΤΕ ΑΠΕΥΘΕΙΑΣ ΜΕ ΟΠΤΙΚΟ ΟΡΓΑΝΟ, ΠΡΟΪΟΝ ΛΕΙΖΕΡ ΤΑΞΕΩΣ 2Μ.

Για να ανάψετε την ακτίνα λέιζερ, πατήστε την άνω θέση (I) του διακόπτη. Για να σβήσετε τη δέσμη λέιζερ, πιέστε την κάτω θέση (O) του διακόπτη.

(Εικ. 20)

Η γραμμή λέιζερ μπορεί να μετακινηθεί είτε στην αριστερή είτε στην δεξιά πλευρά της λάμπας πριονιού ρυθμίζοντας την ρυθμιστική βίδα ως εξής:

(Εικ. 21)

1. Χαλαρώστε την ρυθμιστική βίδα γυρίζοντας την αριστερόστροφα.
2. Με την ρυθμιστική βίδα χαλαρωμένη, σύρτε την στα δεξιά ή αριστερά όσο βαθειά μπορεί να πάει.
3. Σφίχτε την ρυθμιστική βίδα σταθερά στην θέση όπου σταματά να ολισθαίνει.

Η γραμμή λέιζερ είναι ρυθμισμένη από το εργοστάσιο να είναι τοποθετημένη σε 1 χιλ από την πλευρική επιφάνεια της λάμπας (θέση κοπής).

ΣΗΜΕΙΩΣΗ:

- Όταν η γραμμή λέιζερ είναι αμυδρή και δύσκολο να τη διακρίνετε λόγω έκθεσης σε απευθείας ηλιακό φως, αλλάξτε θέση εργασίας μεταφερόμενοι σε κάποιο άλλο σημείο με μικρότερη έκθεση στο απευθείας ηλιακό φως.

Ευθυγράμμιση της γραμμής λέιζερ (Εικ. 22)

Η γραμμή λέιζερ μπορεί να μετακινηθεί στην αριστερή ή στην δεξιά πλευρά της λάμπας σύμφωνα με τις εφαρμογές κοπής. Ανατρέξτε στις εξηγήσεις του εδαφίου με τίτλο «Ενέργεια της ακτίνας λέιζερ» σχετικά με την μέθοδο μετακίνησης.

ΣΗΜΕΙΩΣΗ:

- Χρησιμοποιείτε επένδυση ξύλου στον φράκτη οδηγό όταν ευθυγραμμίζετε την γραμμή κοπής με την γραμμή λέιζερ στην πλευρά του φράκτη οδηγού σε σύνθετες κοπές (κωνική γωνία 45 μοιρών και λοξή δεξιά γωνία 45 μοιρών).
 - A) Όταν πετυχαίνετε σωστό μέγεθος στην αριστερή πλευρά του τεμαχίου εργασίας.
 - Μετακινείστε την γραμμή λέιζερ στα αριστερά της λάμπας.
 - B) Όταν πετυχαίνετε σωστό μέγεθος στην δεξιά πλευρά του τεμαχίου εργασίας.
 - Μετακινείστε την γραμμή λέιζερ στα δεξιά της λάμπας.

Ευθυγραμμίστε την γραμμή κοπής στο τεμάχιο εργασίας σας με την γραμμή λέιζερ.

ΣΥΝΑΡΜΟΛΟΓΗΣΗ

ΠΡΟΕΙΔΟΠΟΙΗΣΗ:

- Πάντοτε βεβαιώνετε ότι το εργαλείο είναι σβηστό και αποσυνδεδεμένο από το ρεύμα πριν κάνετε εργασία στο εργαλείο. Η μη απενεργοποίηση και αποσύνδεση του εργαλείου ενδέχεται να καταλήξει σε σοβαρό τραυματισμό.

Αποθήκευση κοίλου κλειδιού (Εικ. 23)

Το κοίλο κλειδί περικοχλίων φυλάσσεται όπως υποδεικνύεται στην εικόνα.

Όταν απαιτείται το κοίλο κλειδί περικοχλίων, μπορείτε να το αποσπάσετε από την υποδοχή συγκράτησης κλειδιού.

Μετά από τη χρήση, μπορείτε να φυλάξετε το κοίλο κλειδί περικοχλίων τοποθετώντας το ξανά στην υποδοχή συγκράτησης.

Εγκατάσταση ή αφαίρεση της λάμας πριονιού

ΠΡΟΕΙΔΟΠΟΙΗΣΗ:

- Πάντοτε βεβαιώνετε ότι το εργαλείο είναι σβηστό και αποσυνδεδεμένο πριν εγκαταστήσετε ή αφαιρέσετε την λάμα. Η τυχαία εκκίνηση του εργαλείου ενδέχεται να καταλήξει σε σοβαρό τραυματισμό.
- Χρησιμοποιείτε μόνο το κοίλο κλειδί της Μάκιτα που παρέχεται για εγκατάσταση και αφαίρεση της λάμας. Η μη χρήση του κοίλου κλειδιού περικοχλίων ενδέχεται να καταλήξει σε σφίξιμο υπέρ του δέοντος ή ανεπαρκές σφίξιμο του εξαγωγικού κοχλία και σοβαρό τραυματισμό.

Κλειδώστε την λαβή στην ανυψωμένη θέση σπρώχνοντας μέσα τον πείρο αναστολής. (Εικ. 24)

Για να αφαιρέσετε την λάμα, χρησιμοποιείτε το κοίλο κλειδί για να χαλαρώσετε το εξαγωγικό μπουλόνι κρατώντας το κεντρικό κάλυμμα και γυρίζοντάς το αριστερόστροφα. Σηκώστε τον προφυλακτήρα λάμας και το κεντρικό κάλυμμα. (Εικ. 25)

Πατήστε την ασφάλεια άξονα για να κλειδώσετε τον άξονα και χρησιμοποιείτε το κοίλο κλειδί για να χαλαρώσετε το εξάγωνο μπουλόνι δεξιόστροφα. Μετά αφαιρέστε το εξάγωνο μπουλόνι, εξωτερική φλάντζα και λάμα. (Εικ. 26)

ΣΗΜΕΙΩΣΗ:

- Όταν το εσωτερικό πέλμα αφαιρεθεί, φροντίστε να το εγκαταστήσετε πάνω στον άξονα μετάδοσης κίνησης, ώστε η προεσοχή του να μην είναι στραμμένη προς το δίσκο. Σε περίπτωση εσφαλμένης τοποθέτησης του πέλματος, αυτό θα τρίβεται πάνω στο μηχανήμα.

ΠΡΟΕΙΔΟΠΟΙΗΣΗ:

- Πριν από την τοποθέτηση του δίσκου πάνω στον άξονα μετάδοσης κίνησης, να φροντίζετε πάντα για την τοποθέτηση του κατάλληλου δακτυλίου για την οπή του δίσκου που επιθυμείτε να χρησιμοποιήσετε, μεταξύ εσωτερικού και εξωτερικού πέλματος. Η χρήση εσφαλμένου δακτυλίου οπής δίσκου ενδέχεται να καταλήξει σε εσφαλμένη τοποθέτηση του δίσκου προκαλώντας κίνηση του δίσκου και σοβαρούς κραδασμούς και ως εκ τούτου ενδεχόμενη απώλεια ελέγχου κατά το χειρισμό και πρόκληση σοβαρού τραυματισμού.

Για να εγκαταστήσετε την λάμα, τοποθετήστε την προσεκτικά πάνω στον άξονα, επιβεβαιώνοντας ότι η διεύθυνση του βέλους στην επιφάνεια της λάμας συμφωνεί με την διεύθυνση του βέλους στη θήκη της λάμας.

Εγκαταστήστε την εξωτερική φλάντζα και εξαγωγικό μπουλόνι, και μετά χρησιμοποιείτε το κοίλο κλειδί για να σφίξετε το εξάγωνο μπουλόνι (αριστερόστροφο) με ασφάλεια αριστερόστροφα ενώ πατάτε την ασφάλεια άξονα. (Εικ. 27 και 28)

Επαναφέρετε τον προφυλακτήρα λάμας και το κάλυμμα κέντρου στις αρχικές τους θέσεις. Μετά σφίχτε το εξάγωνο μπουλόνι δεξιόστροφα για να ασφαλίσετε το κάλυμμα κέντρου. Ελευθερώστε την λαβή από την υψωμένη θέση τραβώντας τον πείρο αναστολής. Χαμηλώστε την λαβή για να βεβαιωθείτε ότι ο προφυλακτήρας λάμας κινείται κανονικά.

Βεβαιωθείτε ότι η ασφάλεια άξονα έχει ελευθερώσει τον αξονίσκο πριν κάνετε κοπή. (Εικ. 29)

Σάκος σκόνης (Εικ. 30)

Η χρήση του σάκου σκόνης κάνει τις εργασίες κοπής πιο καθαρές και τη συλλογή της σκόνης πιο εύκολη. Για να προσαρμόσετε το σάκο σκόνης, εφαρμόστε τον πάνω στο στόμιο απαγωγής σκόνης.

Όταν ο σάκος σκόνης είναι περίπου μισογεμάτος, αφαιρέστε τον σάκο σκόνης από το εργαλείο και τραβήχτε τον προσδετήρα έξω. Αδειάστε τον σάκο σκόνης από τα περιεχόμενά του, χτυπώντας τον ελαφρά έτσι ώστε να αφαιρέσετε τα σωματίδια που κολλάνε στο εσωτερικό και μπορεί να εμποδίζουν την επόμενη συλλογή.

ΣΗΜΕΙΩΣΗ:

- Εάν συνδέσετε μιά ηλεκτρική σκούπα στο πριόνι σας, πιο και καθαρές εργασίες μπορεί να εκτελεστούν.

Κουτί σκόνης (προαιρετικό εξάρτημα)

(Εικ. 31, 32 και 33)

Βάλτε το κουτί σκόνης μέσα στο στόμιο σκόνης. Αδειάζετε το κουτί σκόνης όσο νωρίτερα είναι δυνατόν.

Να αδειάζετε το κιβώτιο σκόνης, όταν απαιτείται.

Για να αδειάσετε το κιβώτιο σκόνης, ανοίξτε το κάλυμμα πιέζοντας το κουμπί και απορρίψτε το πριονίδι. Επαναφέρετε το κάλυμμα στην αρχική θέση του και ασφαλίστε το. Το κουτί σκόνης μπορεί εύκολα να αφαιρεθεί τραβώντας το προς τα έξω ενώ το γυρίζετε κοντά στο στόμιο σκόνης στο εργαλείο.

ΣΗΜΕΙΩΣΗ:

- Εάν συνδέσετε έναν απορροφητήρα καθαρισμού Μάκιτα στο εργαλείο αυτό, θα μπορείτε να εκτελείτε και καθαρότερες εργασίες.

ΑΝΑΚΟΙΝΩΣΗ:

- Αδειάστε το κουτί σκόνης πριν η στάθμη της πριονόσκονης που έχει συσσωρευθεί φθάσει στο τμήμα κυλίνδρου.

Ασφαλίζοντας το αντικείμενο εργασίας

ΠΡΟΕΙΔΟΠΟΙΗΣΗ:

- Είναι εξαιρετικά σημαντικό να ασφαλίσετε πάντα το τεμάχιο εργασίας σωστά με μέγγενη ή αναστολές ανάγλυφων μορφώσεων στέψης κατάλληλου τύπου. Η μη συμμόρφωση ενδέχεται να καταλήξει σε σοβαρό τραυματισμό και να προκαλέσει ζημία στο εργαλείο ή/και στο τεμάχιο εργασίας.
- Μετά το πέρας της λειτουργίας κοπής μην ανυψώσετε το δίσκο εάν δεν έχει ακινητοποιηθεί πλήρως. Η ανύψωση ενός δίσκου που συνεχίζει να περιστρέφεται εξ αδρανείας ενδέχεται να καταλήξει σε σοβαρό τραυματισμό και την πρόκληση ζημίας στο τεμάχιο εργασίας.

- Κατά την κοπή τεμαχίου εργασίας με μήκος μεγαλύτερο από εκείνο της βάσης στήριξης του δισκοπρίονου, απαιτείται στήριξη ολοκλήρου του μήκους πέραν του άκρου της βάσης στήριξης και στο ίδιο ύψος ώστε το υλικό να παραμένει σε οριζόντια θέση. Η κατάλληλη στήριξη του τεμαχίου εργασίας διευκολύνει στο να αποτρέπεται η σύσφιξη του δίσκου και ενδεχόμενη ανάκρουση που ενδέχεται να καταλήξει σε πρόκληση σοβαρού τραυματισμού. Μη βασίζεστε αποκλειστικά στην κάθετη και/ ή οριζόντια μέγγενη για να ασφαλίσετε το αντικείμενο εργασίας. Λεπτά υλικά έχουν τάση να λυγίζουν. Υποστηρίξτε το αντικείμενο εργασίας καθόλο το μήκος του για να αποφύγετε τσίμπημα της λάμας και πιθανή ΟΠΙΣΘΟΔΡΟΜΗΣΗ. (Εικ. 34)

Ρύθμιση φράκτη οδηγού (ΦΡΑΧΤΕΣ ΟΛΙΣΘΗΣΗΣ οι οποίοι είναι άνω και κάτω φράχτες)

ΠΡΟΕΙΔΟΠΟΙΗΣΗ:

- Πριν από την εκκίνηση του εργαλείου, φροντίστε, ώστε οι άνω και κάτω φράχτες να είναι κατάλληλα ασφαλισμένοι.
- Πριν από την εργασία φάλτσοκοπής, φροντίστε ώστε κανένα μέρος του εργαλείου, ιδιαίτερα ο δίσκος, να μην έρχεται σε επαφή με τους άνω και κάτω φράχτες όταν χαμηλώνετε και ανυψώνετε τη λαβή πλήρως σε οποιαδήποτε θέση και μετακινείτε την κινητή βάση στο πλήρες εύρος της διαδρομής της. Σε περίπτωση επαφής του εργαλείου ή του δίσκου με το φράκτη ενδέχεται να προκληθεί ανάκρουση ή μη αναμενόμενη κίνηση του υλικού και πρόκληση σοβαρού τραυματισμού.

Μπορείτε να μετακινήσετε τους κάτω φράχτες προς τα μέσα ή προς τα έξω ξεσφίγγοντας τους κοχλίες σύσφιξης. (Εικ. 35)

Καθώς μετακινείτε τους κάτω φράχτες προς τα μέσα εμφανίζεται μια κόκκινη περιοχή, η οποία εξαφανίζεται καθώς μετακινείτε τους κάτω φράχτες προς τα έξω.

Μπορείτε να αφαιρέσετε τους άνω φράχτες ή να τους μετακινήσετε προς τα μέσα ή προς τα έξω ξεσφίγγοντας τους μοχλούς. (Εικ. 36)

Σε περίπτωση φάλτσοκοπής, ρυθμίστε τη θέση των κάτω και άνω φραχτών ώστε να βρίσκονται όσο το δυνατόν πλησιέστερα στο δίσκο και να παρέχεται μέγιστη στήριξη στο τεμάχιο εργασίας, και φροντίστε ώστε κανένα μέρος του εργαλείου, ιδιαίτερα ο δίσκος, να μην έρχεται σε επαφή με τους πάνω και κάτω φράχτες όταν χαμηλώνετε και ανυψώνετε τη λαβή πλήρως σε οποιαδήποτε θέση και τραβάτε ή ωθείτε την κινητή βάση σε όλο το διαθέσιμο μήκος στην πιο χαμηλή θέση. (Εικ. 37)

Πριν από οποιαδήποτε εργασία κοπής, πραγματοποιήστε αναγνωριστική διέλευση με απενεργοποιημένο και αποσυνδεδεμένο δισκοπρίονο και στη συνέχεια ελέγξτε τις αποστάσεις ασφαλείας μεταξύ φραχτών και κινούμενων μερών.

Πριν από οποιαδήποτε εργασία κοπής, ασφαλίστε σταθερά τους κάτω φράχτες σφίγγοντας τους κοχλίες σύσφιξης και τους άνω φράχτες σφίγγοντας τους μοχλούς.

Μετά το πέρας των εργασιών φάλτσοκοπής, μην ξεχάσετε να επαναφέρετε τους άνω φράχτες στην αρχική τους θέση και να τους ασφαλίσετε.

Κατακόρυφη μέγγενη (Εικ. 38)

Η κάθετη μέγγενη μπορεί να τοποθετηθεί σε δύο θέσεις στην αριστερή ή στη δεξιά πλευρά της βάσης. Εισάγετε τη ράβδο της μέγγενης μέσα στην οπή της βάσης.

Τοποθετείστε τον βραχίονα της μέγγενης σύμφωνα με το πάχος και το σχήμα του αντικειμένου εργασίας και ασφαλίστε τον βραχίονα της μέγγενης σφίγγοντας την βίδα. Εάν ο κοχλίας ασφάλισης του βραχίονα της μέγγενης έρχεται σε επαφή με την κινητή βάση, τοποθετήστε τον κοχλία στην απέναντι πλευρά του βραχίονα της μέγγενης. Βεβαιωθείτε ότι κανένα τμήμα του εργαλείου δεν είναι σε επαφή με την μέγγενη όταν χαμηλώνετε την λαβή πλήρως και τραβάτε ή σπρώχνετε τη κινητή βάση όσο μπορεί να πάει. Εάν κάποιο μέρος εφάπτεται στην μέγγενη επανατοποθετείστε την μέγγενη.

Πατήστε το αντικείμενο εργασίας επίπεδα στον φράκτη οδηγό και στην περιστροφική βάση. Τοποθετείστε το αντικείμενο εργασίας στην επιθυμητή θέση κοπής και ασφαλίστε το σταθερά σφίγγοντας το κουμπί της μέγγενης.

Γυρίζοντας το κουμπί της μέγγενης κατά 90° αριστερόστροφα επιτρέπει τη μετακίνηση πάνω και κάτω του κουμπιού της μέγγενης, διευκολύνοντας την ταχεία τοποθέτηση του τεμαχίου εργασίας. Για να ασφαλίσετε το τεμάχιο εργασίας μετά από την τοποθέτηση, γυρίστε το κουμπί της μέγγενης δεξιόστροφα.

ΠΡΟΕΙΔΟΠΟΙΗΣΗ:

- Το αντικείμενο εργασίας πρέπει να ασφαρίζεται σταθερά στην περιστροφική βάση και στον φράκτη οδηγό με την μέγγενη κατά την διάρκεια όλων των εργασιών. Σε περίπτωση ακατάλληλης ασφάλισης του τεμαχίου εργασίας πάνω στο φράκτη, το υλικό ενδέχεται να μετακινηθεί στη διάρκεια της εργασίας κοπής προκαλώντας ενδεχομένως ζημία στο δίσκο, εκτίναξη του υλικού και απώλεια ελέγχου με αποτέλεσμα την πρόκληση σοβαρού τραυματισμού.

Οριζόντια μέγγενη (προαιρετικό εξάρτημα) (Εικ. 39 και 40)

Η οριζόντια μέγγενη μπορεί να τοποθετηθεί σε δύο θέσεις είτε στην αριστερή είτε στην δεξιά πλευρά της βάσης.

Όταν εκτελούνται λοξές κοπές 15° ή μεγαλύτερες, τοποθετήστε την οριζόντια μέγγενη στην πλευρά προς την οποία η περιστροφική βάση πρόκειται να στραφεί.

Χτυπώντας ελαφρά το παξιμάδι της μέγγενης στα αριστερόστροφα, η μέγγενη ελευθερώνεται και γρήγορα κινείται μέσα και έξω. Για να πιάσετε το αντικείμενο εργασίας σπρώχτε το κουμπί της μέγγενης προς τα εμπρός μέχρι η πλάκα της μέγγενης να έρθει σε επαφή με το αντικείμενο εργασίας και χτυπήστε ελαφρά το παξιμάδι της μέγγενης δεξιόστροφα. Μετά γυρίστε το κουμπί της μέγγενης δεξιόστροφα να ασφαλίσετε το αντικείμενο εργασίας.

Το μέγιστο πλάτος αντικειμένου εργασίας που μπορεί να ασφαλιστεί από την οριζόντια μέγγενη είναι 215 χιλ.

ΠΡΟΕΙΔΟΠΟΙΗΣΗ:

- **Να γυρίζετε πάντα το περικόχλιο της μέγγενης δεξιόστροφα, έως ότου επιτευχθεί κατάλληλη ασφάλιση του τεμαχίου εργασίας.** Σε περίπτωση ακατάλληλης ασφάλισης του τεμαχίου εργασίας, το υλικό ενδέχεται να μετακινηθεί στη διάρκεια της εργασίας κοπής προκαλώντας ενδεχομένως ζημία στο δίσκο, εκτίναξη του υλικού και απώλεια ελέγχου με αποτέλεσμα την πρόκληση σοβαρού τραυματισμού.
- Κατά την κοπή ενός λεπτού τεμαχίου εργασίας, όπως σοβατεπί, κόντρα στο φράχτη, να χρησιμοποιείτε πάντα την οριζόντια μέγγενη.

Θήκη (προαιρετικό εξάρτημα) (Εικ. 41)

Οι συγκρατητές μπορούν να τοποθετηθούν σε οποιαδήποτε από τις δύο πλευρές και είναι ένα βολικό μέσο για να κρατάνε τα αντικείμενα εργασίας οριζόντια. Βάλτε τις ράβδους των συγκρατητών μέσα στις τρύπες στην βάση και ρυθμίστε το μήκος τους σύμφωνα με το υπό συγκράτηση αντικείμενο εργασίας. Μετά σφίξτε τους συγκρατητές με ασφάλεια με τις βίδες.

ΠΡΟΕΙΔΟΠΟΙΗΣΗ:

- **Να φροντίζετε πάντα για τη στήριξη ενός τεμαχίου εργασίας μεγάλου μήκους, ώστε να παραμένει σε οριζόντια θέση στην άνω επιφάνεια της περιστροφικής βάσης για να επιτυγχάνεται κοπή με ακρίβεια και να αποτρέπεται επικίνδυνη απώλεια ελέγχου του εργαλείου.** Η κατάλληλη στήριξη του τεμαχίου εργασίας διευκολύνει στο να αποτρέπεται η σύσφιξη του δίσκου και ενδεχόμενη ανάκρουση που ενδέχεται να καταλήξει σε πρόκληση σοβαρού τραυματισμού.

ΛΕΙΤΟΥΡΓΙΑ

ΑΝΑΚΟΙΝΩΣΗ:

- Βεβαιώνετε ότι η λάμα δεν κάνει επαφή με το αντικείμενο εργασίας, κλπ. πριν ανάψετε τον διακόπτη.
- Μην εξασκήσετε υπερβολική πίεση στην λαβή κατά το κόψιμο. Υπερβολική πίεση μπορεί να έχει ως αποτέλεσμα υπερφόρτωση του κινητήρα και/ή μειωμένη επάρκεια κοπής. Πατήστε προς τα κάτω την λαβή με τόση δύναμη όση είναι απαραίτητη για λείο κόψιμο και χωρίς σημαντική μείωση στην ταχύτητα της λάμας.
- Απαλά πατήστε την λαβή να εκτελέσετε την κοπή. Εάν η λαβή πατηθεί κάτω με δύναμη, ή εάν πλάγια δύναμη εξασκηθεί, η λάμα θα δονείται και θα αφήνει ένα σημάδι (σημάδι πριονιού) στο αντικείμενο εργασίας και η ακρίβεια της κοπής θα μειωθεί.
- Κατά τη διάρκεια της ολισθαίνουσας κοπής, μαλακά σπρώξτε τη κινητή βάση προς το φράχτη οδηγό χωρίς να σταματήσετε. Αν η κίνηση της κινητής βάσης σταματήσει κατά τη διάρκεια του κοψίματος, ένα σημάδι θα δημιουργηθεί στο αντικείμενο εργασίας και η ακρίβεια της κοπής θα μειωθεί.

ΠΡΟΕΙΔΟΠΟΙΗΣΗ:

- **Πριν από την χρήση, βεβαιώνετε ότι έχετε ελευθερώσει την λαβή από την χαμηλωμένη θέση τραβώντας τον ανασταλτικό πείρο.** Η ενεργοποίηση του εργαλείου όταν ο δίσκος είναι σε επαφή με το τεμάχιο εργασίας ενδέχεται να καταλήξει σε ανάκρουση και την πρόκληση σοβαρού τραυματισμού.

1. Κόψιμο με πίεση (κοπή μικρών αντικειμένων εργασίας) (Εικ. 42)

Αντικείμενα εργαίας μέχρι 68 χιλ. σε ύψος και 160 χιλ. σε πλάτος μπορούν να κοπούν με τον ακόλουθο τρόπο.

Μόλις γυρίσετε το μοχλό αναστολέα δεξιόστροφα και σύρετε την κινητή βάση στην επιθυμητή θέση, ωθήστε την κινητή βάση προς το φράχτη οδηγό πλήρως, σφίξτε τον κοχλία ασφάλισης γυρίζοντας δεξιόστροφα και τραβήξτε το μοχλό ασφάλισης προς το μπροστινό μέρος του δισκοπρίονου ώστε να ασφαλίσετε την κινητή βάση.

Ασφαλίστε κατάλληλα το τεμάχιο εργασίας με μέγγενη ή αναστολές ανάγλυφων μορφώσεων στέψης κατάλληλου τύπου.

Ανάψτε το εργαλείο χωρίς η λάμα να κάνει καμιά επαφή και περιμένετε μέχρι η λάμα να αποκτήσει πλήρη ταχύτητα πριν την χαμηλώσετε. Μετά χαμηλώστε απαλά την λαβή στην καλύτερη δυνατή θέση για να κόψετε το τεμάχιο εργασίας. Όταν η κοπή ολοκληρωθεί, σβήστε το μηχάνημα και ΠΕΡΙΜΕΝΕΤΕ ΜΕΧΡΙ Η ΛΑΜΑ ΣΤΑΜΑΤΗΣΕΙ ΕΝΤΕΛΩΣ πριν επιστρέψετε τη λάμα στην πλήρως υψωμένη θέση της.

ΠΡΟΕΙΔΟΠΟΙΗΣΗ:

- **Σφίξτε σταθερά τον κοχλία ασφάλισης γυρίζοντας δεξιόστροφα και τραβήξτε το μοχλό ασφάλισης προς το μπροστινό μέρος του δισκοπρίονου, ώστε να μην είναι εφικτή η μετακίνηση της κινητής βάσης στη διάρκεια της λειτουργίας.** Τυχόν ανεπαρκές σφίξιμο του κοχλία ασφάλισης ενδέχεται να προκαλέσει ανάκρουση με αποτέλεσμα σοβαρό τραυματισμό.

2. Ολισθητική κοπή (σπρώχτε) (κοπή μεγάλων αντικειμένων) (Εικ. 43 και 44)

Χαλαρώστε τον κοχλία ασφάλισης γυρίζοντας αριστερόστροφα και ταυτόχρονα ωθήστε προς τα εμπρός το μοχλό ασφάλισης, ώστε να επιτευχθεί ελεύθερη κίνηση της κινητής βάσης. Ασφαλίστε το τεμάχιο εργασίας με μέγγενη κατάλληλου τύπου.

Τραβήχτε την κινητή βάση προς το μέρος σας πλήρως. Ανάψτε το εργαλείο χωρίς η λάμα να κάνει επαφή και περιμένετε μέχρι η λάμα να αποκτήσει πλήρη ταχύτητα. Πατήστε κάτω τη βάση και ΣΠΡΩΧΤΕ ΤΗΝ ΚΙΝΗΤΗ ΒΑΣΗ ΠΡΟΣ ΤΟΝ ΦΡΑΧΤΗ ΟΔΗΓΟ ΚΑΙ ΔΙΑ ΜΕΣΟΥ ΤΟΥ ΑΝΤΙΚΕΙΜΕΝΟΥ ΕΡΓΑΣΙΑΣ. Όταν η κοπή ολοκληρωθεί, σβήστε το εργαλείο και ΠΕΡΙΜΕΝΕΤΕ ΜΕΧΡΙ Η ΛΑΜΑ ΝΑ ΣΤΑΜΑΤΗΣΕΙ ΕΝΤΕΛΩΣ πριν επαναφέρετε την λάμα στην πλήρως ανυψωμένη της θέση.

ΠΡΟΕΙΔΟΠΟΙΗΣΗ:

- Κάθε φορά που εκτελείτε ολισθητική κοπή, τραβήξτε πρώτα την κινητή βάση προς το μέρος σας και πιέστε τη λαβή πλήρως προς τα κάτω, στη συνέχεια ωθήστε την κινητή βάση προς το φράχτη οδηγό. Μην αρχίζετε ποτέ την κοπή, εάν δεν έχετε τραβήξει πλήρως την κινητή βάση προς το μέρος σας. Εάν εκτελέσετε την ολισθητική κοπή χωρίς να έχετε τραβήξει την κινητή βάση πλήρως προς το μέρος σας, ενδέχεται να προκληθεί μη αναμενόμενη ανάκρουση και κατά συνέπεια σοβαρός τραυματισμός.
- Μην επιχειρήσετε ποτέ να εκτελέσετε ολισθητική κοπή τραβώντας την κινητή βάση προς το μέρος σας. Εάν τραβήξετε την κινητή βάση προς το μέρος σας στη διάρκεια της κοπής, ενδέχεται να προκληθεί μη αναμενόμενη ανάκρουση με αποτέλεσμα σοβαρό τραυματισμό.
- Ποτέ μην εκτελείτε την ολισθητική κοπή με την λαβή κλειδωμένη στην χαμηλωμένη θέση.
- Ποτέ μη χαλαρώνετε το κουμπί το οποίο ασφαλίζει την κινητή βάση ενώ η λάμα περιστρέφεται. Αυτό μπορεί να προκαλέσει σοβαρό τραυματισμό. Εάν η κινητή βάση δεν είναι σταθερά ασφαλισμένη στη διάρκεια της κοπής, ενδέχεται να προκληθεί μη αναμενόμενη ανάκρουση με αποτέλεσμα σοβαρό τραυματισμό.

3. Λοξότμηση

Αναφερθείτε στο προηγούμενο εδάφιο «Ρύθμιση της λοξής γωνίας».

4. Κωνική κοπή (Εικ. 45)

Χαλαρώστε τον μοχλό και γείρετε την λάμα πριονιού για να ρυθμίσετε την κωνική γωνία (Αναφερθείτε στο προηγούμενο εδάφιο «Ρύθμιση της κωνικής γωνίας»). Βεβαιωθείτε ότι ξανασφίγγετε τον μοχλό σταθερά για να ασφαλίσετε την επιλεγμένη κωνική γωνία με ασφάλεια. Ασφαλίστε το αντικείμενο εργασίας με μία μέγγενη. Βεβαιωθείτε ότι η κινητή βάση είναι τραβηγμένη όσο πάει πίσω προς τον χειριστή. Ανάψτε το εργαλείο χωρίς η λάμα να κάνει επαφή και περιμένετε μέχρι η λάμα να αποκτήσει πλήρη ταχύτητα. Μετά απαλά χαμηλώστε την λαβή στην πλήρως χαμηλωμένη θέση, ενώ εφαρμόζετε πίεση παράλληλα προς την λάμα και ΣΠΡΩΧΤΕ ΤΗΝ ΚΙΝΗΤΗ ΒΑΣΗ ΠΡΟΣ ΤΟΝ ΦΡΑΧΤΗ ΟΔΗΓΟ ΝΑ ΚΟΨΕΙ ΤΟ ΑΝΤΙΚΕΙΜΕΝΟ ΕΡΓΑΣΙΑΣ. Όταν η κοπή ολοκληρωθεί, σβήστε το εργαλείο και ΠΕΡΙΜΕΝΕΤΕ ΜΕΧΡΙ Η ΛΑΜΑ ΝΑ ΣΤΑΜΑΤΗΣΕΙ ΕΝΤΕΛΩΣ πριν επαναφέρετε την λάμα στην πλήρως ανυψωμένη θέση.

ΠΡΟΕΙΔΟΠΟΙΗΣΗ:

- Μόλις ρυθμίσετε το δίσκο για φάλτσοκοπή, πριν από την εκκίνηση του εργαλείου, βεβαιωθείτε ότι η κινητή βάση και ο δίσκος μπορούν να κινηθούν ελεύθερα σε όλο το εύρος της προοριζόμενης κοπής. Τυχόν παρεμπόδιση της διαδρομής της κινητής βάσης ή του δίσκου κατά την εργασία κοπής ενδέχεται να καταλήξει σε ανάκρουση και σοβαρό τραυματισμό.

- Όταν εκτελείτε φάλτσοκοπή, φροντίστε ώστε να χέρια σας να μην βρίσκονται στη διαδρομή του δίσκου. Η γωνία του δίσκου ενδέχεται να προκαλέσει αβεβαιότητα στο χειριστή όσον αφορά την πραγματική διαδρομή του δίσκου κατά την κοπή και οποιαδήποτε επαφή με το δίσκο θα προκαλέσει σοβαρό τραυματισμό.
- Απαγορεύεται η ανύψωση του δίσκου, εάν δεν ακινητοποιηθεί πρώτα ο δίσκος. Κατά την εκτέλεση φάλτσοκοπής το τεμάχιο που αποκόπεται ενδέχεται να έλθει σε επαφή με το δίσκο. Εάν ο δίσκος ανυψωθεί ενώ ακόμη περιστρέφεται, το τεμάχιο που έχει αποκοπεί ενδέχεται να εκτιναχθεί κατά την επαφή με το δίσκο προκαλώντας διάλυση του τεμαχίου σε θραύσματα τα οποία ενδέχεται να προκαλέσουν σοβαρό τραυματισμό.

ΑΝΑΚΟΙΝΩΣΗ:

- Όταν πατάτε κάτω τη χειρολαβή, εφαρμόστε πίεση παράλληλα της λάμας. Αν μια δύναμη εφαρμοστεί κάθετα στην περιστροφική βάση ή αν η διεύθυνση της πίεσης αλλάξει κατά την διάρκεια της κοπής, η ακρίβεια της κοπής θα ελαττωθεί.
- Πριν από την εργασία φάλτσοκοπής, ενδέχεται να απαιτείται ρύθμιση του άνω και κάτω φράχτη. Ανατρέξτε στην ενότητα με τίτλο «Ρύθμιση φράχτη οδηγού».

5. Σύνθετες κοπές

Σύνθετη κοπή είναι η διαδικασία κατά την οποία μία κωνική γωνία γίνεται την ίδια στιγμή που μία λοξή γωνία κόβεται στο αντικείμενο εργασίας. Σύνθετη κοπή μπορεί να γίνει στην γωνία που φαίνεται στον πίνακα.

Λοξή γωνία	Κωνική γωνία
Αριστερά και Δεξιά 0° – 45°	Αριστερά και Δεξιά 0° – 45°

Κατά την εκτέλεση εργασιών σύνθετης κοπής, ανατρέξτε στις επεξηγήσεις των όρων «Κοπή πίεσης», «Ολισθητική κοπή», «Λοξοτομή» και «Κωνική κοπή».

6. Κοπή ανάγλυφων μορφώσεων στέψης και μορφώσεων κοιλωτής μαρκίζας

Η κοπή ανάγλυφων μορφώσεων στέψης και μορφώσεων κοιλωτής μαρκίζας είναι εφικτή με δισκοπρίονο σύνθετης λοξοτομής με τις μορφώσεις τοποθετημένες σε επίπεδη θέση πάνω στην περιστροφική βάση.

Υπάρχουν δύο συνήθεις τύποι ανάγλυφων μορφώσεων στέψης και ένας τύπος μόρφωσης κοιλωτής μαρκίζας, μόρφωση στέψης υπό γωνία 52/38° προς τον τοίχο, μόρφωση στέψης υπό γωνία 45° προς τον τοίχο και μόρφωση κοιλωτής μαρκίζας υπό γωνία 45° προς τον τοίχο. Ανατρέξτε στις εικόνες.

(Εικ. 46)

Υπάρχουν ενώσεις μορφώσεων στέψης και κοιλωτής μαρκίζας που προορίζονται για τοποθέτηση σε «Εσωτερικές» γωνίες τοίχου 90° ((1) και (2) στις Εικ. 47 και 48) και σε «Εξωτερικές» γωνίες τοίχου 90° ((3) και (4) στις Εικ. 47 και 48).

Μέτρηση

Μετρήστε το μήκος του τοίχου και τοποθετήστε το τεμάχιο εργασίας με ακρίβεια πάνω στο τραπέζι, ώστε να κόψετε το άκρο που εφάπτεται στον τοίχο στο κατάλληλο μήκος. Να φροντίζετε πάντα ώστε το μήκος του τεμαχίου εργασίας, που κόβετε, **στην πίσω πλευρά του τεμαχίου να είναι ίδιο με το μήκος του τοίχου**. Ρυθμίστε το μήκος κοπής για τη γωνία κοπής. Να χρησιμοποιείτε πάντα αρκετά τεμάχια δοκιμής της κοπής, ώστε να ελέγχετε τις γωνίες του δισκοπρίονου.

Κατά την εκτέλεση εργασιών κοπής ανάγλυφων μορφώσεων στέψης και μορφώσεων κοιλωτής μαρκίζας, καθορίστε τη γωνία φαλτσοκοπής και τη γωνία λοξοτομής όπως υποδεικνύεται στον πίνακα (Α) και τοποθετήστε τις μορφώσεις στην πάνω επιφάνεια της βάσης του δισκοπρίονου όπως υποδεικνύεται στον πίνακα (Β).

Στην περίπτωση αριστερής φαλτσοκοπής

Πίνακας (Α)

	Θέση μόρφωσης στην Εικ. 47 και 48	Γωνία φαλτσοκοπής		Γωνία λοξοτομής	
		Τύπος 52/38°	Τύπος 45°	Τύπος 52/38°	Τύπος 45°
Για εσωτερική γωνία τοίχου	(1)	Αριστερά 33,9°	Αριστερά 30°	Δεξιά 31,6°	Δεξιά 35,3°
	(2)			Αριστερά 31,6°	Αριστερά 35,3°
Για εξωτερική γωνία τοίχου	(3)			Δεξιά 31,6°	Δεξιά 35,3°
	(4)				

Πίνακας (Β)

	Θέση μόρφωσης στην Εικ. 47 και 48	Το άκρο μόρφωσης εφάπτεται στο φράχτη οδηγό	Ολοκληρωμένο τεμάχιο
Για εσωτερική γωνία τοίχου	(1)	Το άκρο επαφής στο ταβάνι θα πρέπει να εφάπτεται στο φράχτη οδηγό.	Το ολοκληρωμένο τεμάχιο θα βρίσκεται στην Αριστερή πλευρά του δίσκου.
	(2)	Το άκρο επαφής στον τοίχο θα πρέπει να εφάπτεται στο φράχτη οδηγό.	
Για εξωτερική γωνία τοίχου	(3)	Το άκρο επαφής στο ταβάνι θα πρέπει να εφάπτεται στο φράχτη οδηγό.	Το ολοκληρωμένο τεμάχιο θα βρίσκεται στη Δεξιά πλευρά του δίσκου.
	(4)	Το άκρο επαφής στο ταβάνι θα πρέπει να εφάπτεται στο φράχτη οδηγό.	

Παράδειγμα:

Στην περίπτωση κοπής ανάγλυφης μόρφωσης στέψης τύπου 52/38° για τη θέση (1) στην **Εικ. 47 και 48**:

- Δώστε κλίση και ασφαλίστε τη ρύθμιση της γωνίας φαλτσοκοπής σε 33,9° ΑΡΙΣΤΕΡΑ.
- Ρυθμίστε και ασφαλίστε τη γωνία λοξοτομής σε 31,6° ΔΕΞΙΑ.
- Τοποθετήστε την ανάγλυφη μόρφωση στέψης, ώστε η πλατιά πίσω επιφάνειά της (δεν φαίνεται) να εφάπτεται στην περιστροφική βάση και το ΑΚΡΟ ΕΠΑΦΗΣ ΣΤΟ ΤΑΒΑΝΙ να εφάπτεται στο φράχτη οδηγό του δισκοπρίονου.
- Το ολοκληρωμένο τεμάχιο προς χρήση θα βρίσκεται πάντα στην ΑΡΙΣΤΕΡΗ πλευρά του δίσκου μετά το πέρας της κοπής.

Στην περίπτωση δεξιάς φαλτσοκοπής

Πίνακας (Α)

	Θέση μόρφωσης στην Εικ. 47 και 48	Γωνία φαλτσοκοπής		Γωνία λοξοτομής	
		Τύπος 52/38°	Τύπος 45°	Τύπος 52/38°	Τύπος 45°
Για εσωτερική γωνία τοίχου	(1)	Δεξιά 33,9°	Δεξιά 30°	Δεξιά 31,6°	Δεξιά 35,3°
	(2)			Αριστερά 31,6°	Αριστερά 35,3°
Για εξωτερική γωνία τοίχου	(3)			Δεξιά 31,6°	Δεξιά 35,3°
	(4)				

Πίνακας (B)

	Θέση μόρφωσης στην Εικ. 47 και 48	Το άκρο μόρφωσης εφάπτεται στο φράχτη οδηγό	Ολοκληρωμένο τεμάχιο
Για εσωτερική γωνία τοίχου	(1)	Το άκρο επαφής στον τοίχο θα πρέπει να εφάπτεται στο φράχτη οδηγό.	Το ολοκληρωμένο τεμάχιο θα βρίσκεται στη Δεξιά πλευρά του δίσκου.
	(2)	Το άκρο επαφής στο ταβάνι θα πρέπει να εφάπτεται στο φράχτη οδηγό.	
Για εξωτερική γωνία τοίχου	(3)	Το άκρο επαφής στον τοίχο θα πρέπει να εφάπτεται στο φράχτη οδηγό.	Το ολοκληρωμένο τεμάχιο θα βρίσκεται στην Αριστερή πλευρά του δίσκου.
	(4)	Το άκρο επαφής στον τοίχο θα πρέπει να εφάπτεται στο φράχτη οδηγό.	

Παράδειγμα:

Στην περίπτωση κοπής ανάγλυφης μόρφωσης στέψης τύπου 52/38° για τη θέση (1) στην **Εικ. 47 και 48**:

- Δώστε κλίση και ασφαλίστε τη ρύθμιση της γωνίας φαλτσοκοπής σε 33,9° ΔΕΞΙΑ.
- Ρυθμίστε και ασφαλίστε τη γωνία λοξοτομής σε 31,6° ΔΕΞΙΑ.
- Τοποθετήστε την ανάγλυφη μόρφωση στέψης, ώστε η πλατιά πίσω επιφάνειά της (δεν φαίνεται) να εφάπτεται στην περιστροφική βάση και το ΑΚΡΟ ΕΠΑΦΗΣ ΣΤΟΝ ΤΟΙΧΟ να εφάπτεται στο φράχτη οδηγό του δισκοπρίονου.
- Το ολοκληρωμένο τεμάχιο προς χρήση θα βρίσκεται πάντα στη ΔΕΞΙΑ πλευρά του δίσκου μετά το πέρασ της κοπής.

Οι αναστολές ανάγλυφων μορφώσεων στέψης (προαιρετικά αξεσουάρ) διευκολύνουν την εργασία κοπής μορφώσεων στέψης χωρίς να απαιτείται κλίση του δίσκου. Τοποθετήστε τους στη βάση, όπως υποδεικνύεται στις εικόνες. (**Εικ. 49 και 50**)

Εικ. 49: Στη δεξιά γωνία λοξοτομής 45°

Εικ. 50: Στην αριστερή γωνία λοξοτομής 45°

Τοποθετήστε την ανάγλυφη μόρφωση στέψης, ώστε το ΑΚΡΟ ΕΠΑΦΗΣ ΣΤΟΝ ΤΟΙΧΟ να εφάπτεται στο φράχτη οδηγό και το ΑΚΡΟ ΕΠΑΦΗΣ ΣΤΟ ΤΑΒΑΝΙ να εφάπτεται στους αναστολές της μόρφωσης στέψης, όπως υποδεικνύεται στην εικόνα (**Εικ. 51**). Ρυθμίστε τους αναστολές της μόρφωσης στέψης σύμφωνα με το μέγεθος της μόρφωσης στέψης. Σφίξτε τους κοχλίες, ώστε να ασφαλίσετε τους αναστολές της μόρφωσης στέψης. Ανατρέξτε στον πίνακα (C) για τη γωνία λοξοτομής.

Πίνακας (C)

	Θέση μόρφωσης στην Εικ. 47 και 48	Γωνία λοξοτομής	Ολοκληρωμένο τεμάχιο
Για εσωτερική γωνία τοίχου	(1)	Δεξιά 45°	Χρήσιμο τεμάχιο στη δεξιά πλευρά του δίσκου
	(2)	Αριστερά 45°	Χρήσιμο τεμάχιο στην αριστερή πλευρά του δίσκου
Για εξωτερική γωνία τοίχου	(3)		Χρήσιμο τεμάχιο στη δεξιά πλευρά του δίσκου
	(4)	Δεξιά 45°	Χρήσιμο τεμάχιο στην αριστερή πλευρά του δίσκου

7. Κοπή εκβολών αλουμινίου

Όταν ασφαρίζετε εκβολές αλουμινίου, χρησιμοποιείτε τάκους υποστήριξης ή κομμάτια άχρηστα όπως φαίνεται στην **Εικ. 52** για να αποφύγετε παραμόρφωση του αλουμινίου. Χρησιμοποιείτε ένα λιπαντικό κοπής όταν κόβετε μία εκβολή αλουμινίου για να εμποδίσετε τον σχηματισμό υλικού αλουμινίου στην λάμα.

ΠΡΟΕΙΔΟΠΟΙΗΣΗ:

- **Ποτέ μην επιχειρήσετε να κόψετε παχειές ή στρογγυλές εκβολές αλουμινίου.** Ενδέχεται να έχετε δυσκολία με την ασφάλιση χονδρών ή στρογγυλών προφίλ διέλασης αλουμινίου, τα οποία ενδέχεται να αποσπαστούν στη διάρκεια της εργασίας κοπής καταλήγοντας σε απώλεια ελέγχου και την πρόκληση σοβαρού τραυματισμού.

8. Κοπή αυλακώσεων (Εικ. 53)

Ενας τύπος κοπής τοίχου μπορεί να γίνει προχωρώντας ως εξής: Ρυθμίστε την θέση του χαμηλότερου ορίου της λάμας χρησιμοποιώντας την ρυθμιστική βίδα και τον βραχίονα αναστολής να περιορίσετε το βάθος κοπής της λάμας. Αναφερθείτε στο τμήμα «Βραχίονας αναστολής» που περιγράφηκε προηγουμένως.

Αφού ρυθμίσετε την θέση κατώτερου ορίου της λάμας, κοψτε παράλληλες αυλακώσεις κατά το πλάτος του αντικειμένου εργασίας χρησιμοποιώντας μία ολισθητική (σπρωχτή) κοπή όπως φαίνεται στην εικόνα. Μετά αφαιρέστε το υλικό μεταξύ των αυλακώσεων του αντικειμένου εργασίας με ένα σκαρπέλο.

ΠΡΟΕΙΔΟΠΟΙΗΣΗ:

- Μην επιχειρήσετε να εκτελέσετε κοπή αυτού του είδους χρησιμοποιώντας δίσκο μεγαλύτερο πάχους ή δίσκο πολλαπλής αυλάκωσης. Εάν επιχειρήσετε να δημιουργήσετε κοπή αύλακας χρησιμοποιώντας δίσκο μεγαλύτερου πάχους ή δίσκο πολλαπλής αυλάκωσης, το αποτέλεσμα της κοπής ενδέχεται να είναι απρόβλεπτο και ενδέχεται να προκληθεί ανάκρουση με πιθανό σοβαρό τραυματισμό.
- Βεβαιωθείτε ότι επαναφέρετε τον βραχίονα αναστολής στην αρχική θέση όταν εκτελείτε οτιδήποτε άλλο εκτός κοπή αυλακώσεων. Εάν επιχειρήσετε να εκτελέσετε κοπή όταν ο βραχίονας αναστολέα βρίσκεται σε εσφαλμένη θέση, το αποτέλεσμα της κοπής ενδέχεται να είναι απρόβλεπτο και ενδέχεται να προκληθεί ανάκρουση με πιθανό σοβαρό τραυματισμό.

Μεταφορά εργαλείου

Βεβαιωθείτε ότι το εργαλείο είναι αποσυνδεδεμένο. Ασφαλίστε τη λάμα σε κωνική γωνία 0° και την περιστροφική βάση στην τέρμα δεξιά λοξή γωνία. Ασφαλίστε τους στύλους ολίσθησης, ώστε ο κάτω στύλος ολίσθησης να ασφαλιστεί στη θέση της κινητής βάσης όταν είναι πλήρως τραβηγμένη προς την πλευρά του χειριστή και οι άνω στύλοι ολίσθησης να ασφαλιστούν στη θέση της κινητής βάσης όταν έχει ωθηθεί πλήρως προς τον φράχτη οδηγό (ανατρέξτε στην ενότητα «Ρύθμιση ασφάλισης ολίσθησης»). Χαμηλώστε την λαβή εντελώς και κλειδώστε την στην χαμηλωμένη θέση σπρώχνοντας μέσα τον πείρο αναστολής. (Εικ. 54)

Μεταφέρετε το εργαλείο κρατώντας και τις δύο πλευρές της βάσης του εργαλείου όπως φαίνεται στην εικόνα. Εάν αφαιρέσετε τους συγκρατητήρες, σάκο σκόνης, κλπ., μπορείτε να μεταφέρετε το εργαλείο πολύ ευκολότερα. (Εικ. 55)

ΠΡΟΕΙΔΟΠΟΙΗΣΗ:

- Ο πείρος αναστολέα προορίζεται μόνο για λόγους μεταφοράς και φύλαξης και δεν θα πρέπει ποτέ να χρησιμοποιείται σε οποιαδήποτε εργασία κοπής. Η χρήση του πείρου αναστολέα για εργασίες κοπής ενδέχεται να προκαλέσει μη αναμενόμενη κίνηση του δίσκου προκαλώντας ανάκρουση και σοβαρό τραυματισμό.

ΠΡΟΣΟΧΗ:

- Πάντοτε ασφαλίστε όλα τα κινούμενα τμήματα πριν μεταφέρετε το εργαλείο. Σε περίπτωση μετακίνησης ή ολίσθησης μερών του εργαλείου κατά την κοπή ενδέχεται να προκύψει απώλεια ελέγχου ή ισορροπίας προκαλώντας σοβαρό τραυματισμό.

ΣΥΝΤΗΡΗΣΗ

ΠΡΟΕΙΔΟΠΟΙΗΣΗ:

- Πάντοτε βεβαιώνετε ότι το εργαλείο είναι σβηστό και αποσυνδεδεμένο από το ρεύμα πριν επιχειρήσετε να κάνετε επιθεώρηση ή συντήρηση. Η μη απενεργοποίηση και αποσύνδεση του εργαλείου ενδέχεται να προκαλέσει τυχαία εκκίνηση του εργαλείου καταλήγοντας ενδεχομένως σε σοβαρό τραυματισμό.

- Πάντοτε επιβεβαιώνετε ότι η λάμα είναι ακονισμένη και καθαρή για την καλύτερη και ασφαλέστερη απόδοση. Εάν επιχειρήσετε να εκτελέσετε κοπή χρησιμοποιώντας στομωμένο ή/και ακάθαρμο δίσκο, ενδέχεται να προκληθεί ανάκρουση και κατά συνέπεια σοβαρός τραυματισμός.

ΑΝΑΚΟΙΝΩΣΗ:

- Μην χρησιμοποιείτε ποτέ βενζίνη, πετρελαϊκό αιθέρα, διαλυτικό, αλκοόλη ή παρόμοιες ουσίες. Ενδέχεται να προκληθεί αποχρωματισμός παραμόρφωση ή ρωγμές.

Ρύθμιση της γωνίας κοπής

Αυτό το εργαλείο είναι προσεκτικά ρυθμισμένο και ευθυγραμμισμένο στο εργοστάσιο, αλλά σκληρή χρήση μπορεί να έχει επηρεάσει την ευθυγράμμιση. Εάν τα μπροστά του πριονιού σας δεν είναι ευθυγραμμισμένα κατάλληλα, εκτελέστε τα ακόλουθα:

1. Λοξή γωνία

Ωθήστε την κινητή βάση προς το φράχτη οδηγό, σφίξτε τον κοχλία ασφάλισης γυρίζοντας δεξιόστροφα και τραβήξτε το μοχλό ασφάλισης προς τα μπροστά του πριονιού ώστε να ασφαλίσετε την κινητή βάση.

Γυρίστε τη λαβή αριστερόστροφα, ώστε να ασφαλίσετε την περιστροφική βάση. Γυρίστε την περιστροφική βάση έτσι ώστε ο δείκτης δείχνει στις 0° στην λοξή κλίμακα. Μετά γυρίστε την περιστροφική βάση ελαφρά δεξιόστροφα και αριστερόστροφα να τοποθετήσετε την περιστροφική βάση στην λοξή εγκοπή των 0°. (Αφήστε το όπως είναι εάν ο δείκτης δεν δείχνει στις 0°.) Χαλαρώστε τα εξάγωνα μπουλόνια που ασφαλίζουν τον φράχτη οδηγό χρησιμοποιώντας το κοίλο κλειδί.

Χαμηλώστε την λαβή πλήρως και κλειδώστε την στην κάτω θέση σπρώχνοντας μέσα τον αναστακτικό πείρο. Τετραγωνίστε την πλευρά της λάμας με την όψη του φράχτη οδηγού χρησιμοποιώντας ένα τριγωνικό κανόνα, τετράγωνο κανόνα, κλπ. Μετά, σφίξτε με ασφάλεια τα εξάγωνα μπουλόνια στο φράχτη οδηγό με τη σειρά ξεκινώντας από τη δεξιά πλευρά. (Εικ. 56)

Βεβαιωθείτε ότι ο δείκτης δείχνει στις 0° στην λοξή κλίμακα. Εάν ο δείκτης δεν δείχνει στις 0° χαλαρώστε την βίδα που ασφαλίζει τον δείκτη και ρυθμίστε τον δείκτη έτσι ώστε να δείχνει στις 0°. (Εικ. 57)

2. Κωνική γωνία

Ωθήστε το μοχλό μανδάλωσης πλήρως προς τα εμπρός, ώστε να απελευθερώσετε τα σταθερά άκρα.

1) 0° Κωνική γωνία

Ωθήστε την κινητή βάση προς το φράχτη οδηγό, σφίξτε τον κοχλία ασφάλισης γυρίζοντας δεξιόστροφα και τραβήξτε το μοχλό ασφάλισης προς τα μπροστά του πριονιού ώστε να ασφαλίσετε την κινητή βάση. Χαμηλώστε την λαβή πλήρως και κλειδώστε την στην χαμηλωμένη θέση σπρώχνοντας μέσα τον πείρο αναστολής. Χαλαρώστε το μοχλό στο πίσω μέρος της μηχανής. (Εικ. 58)

Γυρίστε το εξαγ. μπουλόνι στην δεξιά πλευρά του βραχίονα μέχρι δύο ή τρεις περιστροφές αριστερόστροφα για να κλίνετε τη λάμα προς στα δεξιά. (Εικ. 59)

Προσεκτικά τετραγωνίστε την πλευρά της λάμας με την πάνω επιφάνεια της περιστροφικής βάσης χρησιμοποιώντας ένα τριγωνικό χάρακα, ένα τετράγωνο, κ.λ.π. γυρίζοντας το εξαγ. μπουλόνι στη δεξιά πλευρά του βραχίονα μέχρι δεξιόστροφα. Μετά σφίξτε το μοχλό γερά. (Εικ. 60)

Βεβαιωθείτε ότι ο δείκτης πάνω στο βραχίονα μέχρι δείχνουν στο 0° στην κωνική κλίμακα στο βραχίονα. Αν δεν δείχνουν στο 0°, χαλαρώστε τις βίδες που στερεώνουν τους δείκτες και ρυθμίστε τους ώστε να δείχνουν στο 0°. (Εικ. 61)

2) Κωνική γωνία 45° (Εικ. 62)

Ρυθμίστε την κωνική γωνία 45° μόνο αφού εκτελέσετε ρύθμιση κωνικής γωνίας 0°. Για να ρυθμίσετε την αριστερή κωνική γωνία 45°, χαλαρώστε τον μοχλό και γείρετε την λάμα στα αριστερά πλήρως. Βεβαιωθείτε ότι ο δείκτης στον βραχίονα μέχρι δείχνει στις 45° στη κωνική κλίμακα στην θήκη του βραχίονα. Εάν ο δείκτης δεν δείχνει 45°, γυρίστε το ρυθμιστικό μπουλόνι της αριστερής 45° κωνικής γωνίας στην πλευρά της θήκης του βραχίονα ο δείκτης να δείχνει 45°.

Για να ρυθμίσετε κωνική γωνία 45°, εκτελέστε την ίδια διαδικασία που περιγράφεται παραπάνω.

Ρύθμιση της θέσης της γραμμής λέιζερ (Εικ. 63 και 64)

Μόνο για τα μοντέλα LS1016L και LS1016LF

ΠΡΟΕΙΔΟΠΟΙΗΣΗ:

• Επειδή το εργαλείο πρέπει να είναι συνδεδεμένο κατά τη ρύθμιση της γραμμής λέιζερ, απαιτείται ιδιαίτερη προσοχή ώστε να μην ενεργοποιηθεί το εργαλείο. Η τυχαία εκκίνηση του εργαλείου ενδέχεται να καταλήξει σε σοβαρό τραυματισμό.

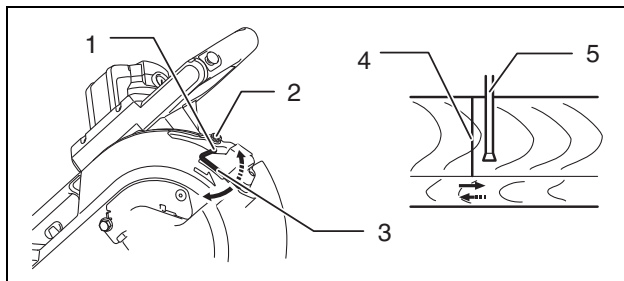
ΠΡΟΣΟΧΗ:

- Ποτέ μη κυττάτε μέσα στην ακτίνα λέιζερ απευθείας. Η απευθείας έκθεση των ματιών στη δέσμη ενδέχεται να προκαλέσει σοβαρή ζημία στα μάτια.
- ΑΚΤΙΝΟΒΟΛΙΑ ΛΕΙΖΕΡ
Μη κυττάτε μέσα στην ακτίνα.

ΑΝΑΚΟΙΝΩΣΗ:

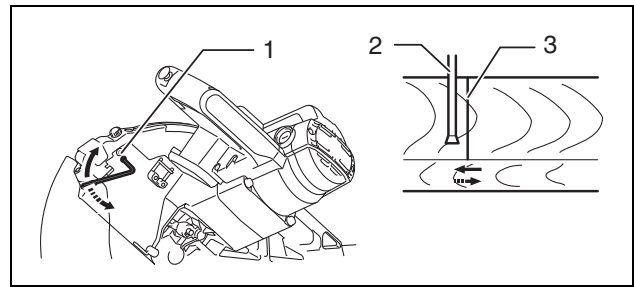
• Να έχετε υπόψη σας ότι εάν το εργαλείο υποστεί κτυπήματα, ενδέχεται να προκύψει κακή ευθυγράμμιση της γραμμής λέιζερ ή ενδέχεται να προκληθεί ζημία στο λέιζερ και επακόλουθη μείωση της διάρκειας ζωής του.

Ρύθμιση της γραμμής λέιζερ για την αριστερή πλευρά του δίσκου.



- 1 Βιδώστε για να αλλάξετε το κινητό πεδίο της ρυθμιστικής βίδας
- 2 Ρυθμιστική βίδα
- 3 Εξάγωνο κλειδί
- 4 Γραμμή λέιζερ
- 5 Λάμα πριονιού

Ρύθμιση της γραμμής λέιζερ για τη δεξιά πλευρά του δίσκου.



- 1 Βίδα ρύθμισης
- 2 Λάμα πριονιού
- 3 Γραμμή λέιζερ

Και για τις δύο ρυθμίσεις κάντε τα εξής:

1. Βεβαιωθείτε ότι το εργαλείο είναι αποσυνδεδεμένο.
2. Τραβήχτε την γραμμή κοπής στο τεμάχιο εργασίας και τοποθετήστε το στο περιστροφικό τραπέζι. Αυτή την φορά, μην ασφαλίσετε το τεμάχιο εργασίας με μία μέγγενη ή παρόμοια συσκευή ασφάλειας.
3. Κατεβάστε την λάμα χαμηλώνοντας την λαβή και ελέγξτε να δείτε που είναι η γραμμή κοπής και η θέση της λάμας πριονιού. (Αποφασίστε ποιά θέση θα κόψετε στην γραμμή κοπής.)
4. Μόλις αποφασίσετε για τη σωστή θέση της γραμμής σε σχέση με το δίσκο, επαναφέρετε τη λαβή στην αρχική θέση. Ασφαλίστε το τεμάχιο εργασίας με την κάθετη μέγγενη χωρίς μετακίνηση του τεμαχίου από τη θέση που ελέγξατε προηγουμένως.
5. Συνδέστε το εργαλείο και ανάψτε τον διακόπτη λέιζερ.
6. Ρυθμίστε τη θέση της γραμμής λέιζερ ως εξής:

Η θέση της γραμμής λέιζερ μπορεί να αλλάξει καθώς το κινητό πεδίο της ρυθμιστικής βίδας του λέιζερ αλλάζει γυρίζοντας δύο βίδες με ένα εξάγωνο κλειδί. (Το κινητό πεδίο της γραμμής λέιζερ είναι εργοστασιακά ρυθμισμένο σε 1 χιλ από την πλευρική επιφάνεια της λάμας.)

Για να μετακινήσετε το κινητό πεδίο της γραμμής λέιζερ μακρύτερα από την πλευρική επιφάνεια της λάμας, γυρίστε τις δύο βίδες αριστερόστροφα αφού χαλαρώσετε την ρυθμιστική βίδα. Γυρίστε αυτές τις δύο βίδες δεξιόστροφα για να το μετακινήσετε πιο κοντά στην πλευρική επιφάνεια της λάμας αφού χαλαρώσετε την ρυθμιστική βίδα.

Ανατρέξτε στο εδάφιο με τίτλο «Ενέργεια ακτίνας λέιζερ» και ρυθμίστε την ρυθμιστική βίδα έτσι ώστε η γραμμή κοπής στο τεμάχιο εργασίας σας ευθυγραμμίζεται με την γραμμή λέιζερ.

ΣΗΜΕΙΩΣΗ:

- Ελέγχετε την θέση της γραμμής λέιζερ τακτικά για ακρίβεια.
- Επισκευάζετε το εργαλείο σε εξουσιοδοτημένο κέντρο Μάκιστα για οποιαδήποτε πρόβλημα στην μονάδα λέιζερ.

Καθαρισμός φακού δέσμης λέιζερ (Εικ. 65 και 66)

Μόνο για τα μοντέλα LS1016L και LS1016FL

Εάν οι φακοί του φωτός λέιζερ ρυπανθούν ή πριονόσκη κολλήσει σ' αυτό με τέτοιο τρόπο ώστε η γραμμή λέιζερ δεν είναι εύκολα ορατή, αποσυνδέστε το πριόνι και αφαιρέστε και καθαρίστε τους φακούς του φωτός λέιζερ προσεκτικά με ένα νωπό, μαλακό ύφασμα. Μη χρησιμοποιήσετε διαλύτες ή απορρυπαντικά με βάση το πετρέλαιο στους φακούς.

Για να αφαιρέσετε τους φακούς του φωτός λέιζερ, αφαιρέστε την λάμα πριονιού πριν αφαιρέσετε τους φακούς σύμφωνα με τις οδηγίες στο εδάφιο «Εγκατάσταση ή αφαίρεση της λάμας πριονιού».

Χαλαρώστε αλλά μην αφαιρέσετε την βίδα που ασφαλίζει τους φακούς χρησιμοποιώντας ένα κατασβίδι.

Τραβήξτε έξω τους φακούς όπως φαίνεται στην εικόνα.

ΣΗΜΕΙΩΣΗ:

- Εάν οι φακοί δεν βγαίνουν έξω, χαλαρώστε την βίδα περισσότερο και τραβήχτε πάλι τους φακούς έξω χωρίς να αφαιρέσετε την βίδα.

Αντικατάσταση ψηκτρών άνθρακα (Εικ. 67 και 68)

Αφαιρείτε και ελέγχετε τις ψήκτρες άνθρακα τακτικά. Αντικαθιστάτε τις όταν έχουν φθαρεί στο σημάδι ορίου. Κρατάτε τις ψήκτρες άνθρακα καθαρές και ελεύθερες να γλυστρούν στις θήκες. Και οι δύο ψήκτρες άνθρακα πρέπει να αντικαθίστανται ταυτόχρονα. Χρησιμοποιείτε μόνο ταυτόσημες ψήκτρες άνθρακα.

Χρησιμοποιείτε ένα κατασβίδι για να αφαιρέσετε τα καπάκια των ψηκτρών άνθρακα. Βγάλτε τις φθαρμένες ψήκτρες άνθρακα, βάλτε τις καινούργιες και ασφαλίστε τα καπάκια των ψηκτρών άνθρακα.

Μετά από την αντικατάσταση των ψηκτρών, συνδέστε το εργαλείο και φροντίστε για το στρώσιμο των ψηκτρών αφήνοντας το εργαλείο σε λειτουργία χωρίς φορτίο για περίπου 10 λεπτά. Ακολουθώντας, ελέγξτε το εργαλείο ενόσω λειτουργεί όπως και τη λειτουργία ηλεκτρικής πέδησης, όταν απελευθερώνεται η σκανδάλη ενεργοποίησης. Εάν η ηλεκτρική πέδηση δεν λειτουργεί σωστά, φροντίστε για την επισκευή του εργαλείου σε κάποιο κέντρο σέρβις της Μάκιτα.

Μετά την χρήση

- Μετά την χρήση, σφουγγίστε τα τεμαχίδια και την σκόνη που είναι κολλημένα στο εργαλείο με ένα πανί ή κάτι παρόμοιο. Κρατείστε τον προφυλακτήρα λάμας καθαρά σύμφωνα με τις οδηγίες στο προηγούμενος καλυφθέν τμήμα με τίτλο «Προφυλακτήρας λάμας». Λιπαίνετε τα μέρη που γλυστρούν με μηχανικό έλαιο για να μην οξειδωθούν.
- Όταν αποθηκεύετε το μηχάνημα, τραβήξτε τη κινητή βάση πλήρως προς το μέρος σας έτσι ώστε η ολισθαίνουσα ράβδος να έχει μπει καλά μέσα στη περιστροφική βάση.

Για την διατήρηση της ΑΣΦΑΛΕΙΑΣ και ΑΞΙΟΠΙΣΤΙΑΣ του προϊόντος, επισκευές, οποιαδήποτε άλλη συντήρηση ή ρύθμιση πρέπει να εκτελούνται από Εξουσιοδοτημένα Κέντρα Σερβις της Μάκιτα, πάντοτε με χρήση ανταλλακτικών Μάκιτα.

ΕΞΑΡΤΗΜΑΤΑ

ΠΡΟΕΙΔΟΠΟΙΗΣΗ:

- Αυτά τα εξαρτήματα ή προσαρτήματα συνιστώνται για χρήση με το εργαλείο Μάκιτα που περιγράφηκε στις οδηγίες αυτές. Η χρήση οποιωνδήποτε άλλων παρελκομένων ή προσαρτημάτων ενδέχεται να καταλήξει σε πρόκληση σοβαρού τραυματισμού.
- Το παρελκόμενο ή το προάρτημα της Μάκιτα να χρησιμοποιείται μόνο για την προοριζόμενη χρήση του. Η κακή χρήση ενός παρελκομένου ή προσαρτήματος ενδέχεται να καταλήξει σε πρόκληση σοβαρού τραυματισμού.

Εάν χρειάζεστε οποιαδήποτε βοήθεια για περισσότερες πληροφορίες σε σχέση με αυτά τα εξαρτήματα, αποτανθείτε στο τοπικό σας κέντρο εξυπηρέτησης Μάκιτα.

- Λάμες πριονιού με άκρα από ατσάλι & καρβίδιο

Δίσκοι δισκοπριονιού λοξοτομής	Για λεία κοπή διαφόρων υλικών με ακρίβεια.
Συνδυασμός	Δίσκος γενικής χρήσης για ταχεία και λεία φαλτσοκοπή, εγκάρσια τομή και λοξοτομή.
Εγκάρσιες τομές	Για πιο λείες τομές εγκάρσιων νευρώσεων ινών ξύλου. Τέμνει καθαρά τις νευρώσεις ινών του ξύλου.
Λεπτές εγκάρσιες τομές	Για τομές κάθετες προς τα νερά του ξύλου χωρίς να απαιτείται γυαλοχάρτισμα.
Δίσκοι δισκοπριονιού λοξοτομής από μη σιδηρούχα μέταλλα	Για λοξοτομές σε αλουμίνιο, χαλκό, ορείχαλκο, τμήματα σωληνών και άλλα μη σιδηρούχα μέταλλα.

- Σύνολο μέγγενης (Οριζόντια μέγγενη)
- Κατακόρυφη μέγγενη
- Κοίλο κλειδί 13
- Θήκη
- Σάκος σκόνης
- Σετ αναστολέων ανάγλυφων μορφώσεων στέψης
- Τριγωνικός κανόνας
- Κουτί σκόνης
- Εξάγωνο κλειδί (Για LS1016L και LS1016FL)

ENGLISH

For European countries only

EC Declaration of Conformity

We Makita Corporation as the responsible manufacturer declare that the following Makita machine(s):

Designation of Machine: Slide Compound Miter Saw
Model No./ Type: LS1016, LS1016L, LS1016F, LS1016FL
are of series production and

Conforms to the following European Directives:

2006/42/EC

And are manufactured in accordance with the following standards or standardised documents:

EN61029

The technical documentation is kept by our authorized representative in Europe who is:

Makita International Europe Ltd,
Michigan, Drive, Tongwell,
Milton Keynes, MK15 8JD, England

FRANÇAISE

Pour les pays d'Europe uniquement

Déclaration de conformité CE

Makita Corporation, en tant que fabricant responsable, déclare que la ou les machines suivantes :

Désignation de la machine : Scie à Onglet Radiale
N° de modèle / Type : LS1016, LS1016L, LS1016F, LS1016FL
sont produites en série et

sont conformes aux Directives européennes suivantes :

2006/42/CE

et qu'elles sont fabriquées conformément aux normes ou documents normalisés suivants :

EN61029

La documentation technique est conservée par notre représentant agréé en Europe, à savoir :

Makita International Europe Ltd,
Michigan, Drive, Tongwell,
Milton Keynes, MK15 8JD, Angleterre

31st July 2009
31 juillet 2009

31. Juli 2009
31 Luglio 2009



Tomoyasu Kato
Director Direktor
Directeur Amministratore

Makita Corporation
3-11-8, Sumiyoshi-cho,
Anjo, Aichi, JAPAN

DEUTSCH

Nur für europäische Länder

EG-Übereinstimmungserklärung

Wir, die Firma Makita als verantwortlicher Hersteller, erklären, dass die folgende(n) Makita-Maschine(n):

Bezeichnung der Maschine: Kapp- und Gehrungssäge
Modell-Nr./ Typ: LS1016, LS1016L, LS1016F, LS1016FL
der Serienproduktion entstammen und

den folgenden europäischen Richtlinien entsprechen:

2006/42/EG

und gemäß den folgenden Standards oder standardisierten Dokumenten hergestellt werden:

EN61029

Die technische Dokumentation befindet sich im Bestand unserer autorisierten Vertretung in Europa, nämlich:

Makita International Europe Ltd.
Michigan, Drive, Tongwell,
Milton Keynes, MK15 8JD, England

ITALIANO

Modello per l'Europa soltanto

Dichiarazione CE di conformità

Noi della Makita Corporation, come produttori responsabili, dichiariamo che le macchine Makita seguenti:

Designazione della macchina: Sega combinata a slitta
Modello No./Tipo: LS1016, LS1016L, LS1016F, LS1016FL
sono una produzione di serie e

conformi alle direttive europee seguenti:

2006/42/CE

E sono fabbricate conformemente ai seguenti standard o documenti standardizzati:

EN61029

La documentazione tecnica è tenuta dal nostro rappresentante autorizzato in Europa, che è:

Makita International Europe Ltd,
Michigan, Drive, Tongwell,
Milton Keynes, MK15 8JD, England

NEDERLANDS**Alleen voor Europese landen****EU-Verklaring van Conformiteit****Wij, Makita Corporation, als de verantwoordelijke fabrikant, verklaren dat de volgende Makita-machine(s):**Aanduiding van de machine: Schuifbare afkortverstekzaag
Modelnr./Type: LS1016, LS1016L, LS1016F, LS1016FL
in serie zijn geproduceerd en**Voldoen aan de volgende Europese richtlijnen:**

2006/42/EC

En zijn gefabriceerd in overeenstemming met de volgende normen of genormaliseerde documenten:

EN61029

De technische documentatie wordt bewaard door onze erkende vertegenwoordiger in Europa, te weten:

Makita International Europe Ltd.,
Michigan, Drive, Tongwell,
Milton Keynes, MK15 8JD, Engeland**PORTUGUÊS****Só para países Europeus****Declaração de conformidade CE****Nós, a Makita Corporation, fabricante responsável, declaramos que a(s) seguinte(s) ferramenta(s) Makita:**Designação da ferramenta:
Serra de Esquadria c/ Braço Telescópico
Modelos n°/Tipo: LS1016, LS1016L, LS1016F, LS1016FL
são de produção de série e**Em conformidade com as seguintes directivas europeias:**

2006/42/EC

E estão fabricados de acordo com as seguintes normas ou documentos normativos:

EN61029

A documentação técnica é mantida pelo nosso representante autorizado na Europa:

Makita International Europe Ltd,
Michigan Drive, Tongwell,
Milton Keynes, MK15 8JD, Inglaterra**ESPAÑOL****Para países europeos solamente****Declaración de conformidad CE****Makita Corporation como fabricante responsable declara que la(s) siguiente(s) máquina(s) de Makita:**Designación de máquina: Sierra de Inglete Telescópica
Modelo N°/Tipo: LS1016, LS1016L, LS1016F, LS1016FL
son producidas en serie y**Cumplen con las directivas europeas siguientes:**

2006/42/EC

Y que están fabricadas de acuerdo con las normas o documentos normalizados siguientes.

EN61029

Los documentos técnicos los guarda nuestro representante autorizado en Europa cuya persona es:

Makita International Europe Ltd,
Michigan, Drive, Tongwell,
Milton Keynes, MK15 8JD, Inglaterra**DANSK****Kun for lande i Europa****EU-konformitetserklæring****Vi, Makita Corporation, erklærer, som den ansvarlige fabrikant, at den (de) følgende Makita maskine(r):**Maskinens betegnelse: Afkorter-geringssav
Model nr./Type: LS1016, LS1016L, LS1016F, LS1016FL
er af serieproduktion og**opfylder betingelserne i de følgende EU-direktiver:**

2006/42/EC

og er fremstillet i overensstemmelse med de følgende standarder eller standardiserede dokumenter:

EN61029

Den tekniske dokumentation opbevares af vores autoriserede repræsentant i Europa, som er:

Makita International Europe Ltd,
Michigan, Drive, Tongwell,
Milton Keynes, MK15 8JD, England31 juli 2009
31 de julio de 200931 de julho de 2009
31. Juli 2009Tomoyasu Kato
Directeur Director
Director DirektørMakita Corporation
3-11-8, Sumiyoshi-cho,
Anjo, Aichi, JAPAN

ΕΛΛΗΝΙΚΑ

Μόνο για χώρες της Ευρώπης

Δήλωση Συμμόρφωσης ΕΚ

Η Makita Corporation, ως ο υπεύθυνος κατασκευαστής, δηλώνει ότι το/τα ακόλουθο(α) μηχάνημα(τα) της Makita:

Χαρακτηρισμός μηχανήματος:

Δισκοπρίονο σύνθετης λοξοτομής μήκους ολίσθησης

Αρ. μοντέλου/ Τύπος:

LS1016, LS1016L, LS1016F, LS1016FL

είναι εν σειρά παραγωγή και

συμμορφώνονται με τις ακόλουθες Ευρωπαϊκές Οδηγίες:

2006/42/EK

και κατασκευάζονται σύμφωνα με τα ακόλουθα πρότυπα ή έγγραφα τυποποίησης:

EN61029

Η τεχνική τεκμηρίωση φυλάσσεται από τον εξουσιοδοτημένο εκπρόσωπό μας στην Ευρώπη, δηλαδή τη

Makita International Europe Ltd,
Michigan, Drive, Tongwell,
Milton Keynes, MK15 8JD, England (Αγγλία)

31 Ιουλίου 2009



Tomoyasu Kato
Διευθυντής

Makita Corporation
3-11-8, Sumiyoshi-cho,
Anjo, Aichi, JAPAN

ENGLISH

ENG102-3

Noise

The typical A-weighted noise level determined according to EN61029:

Sound pressure level (L_{pA}): 90 dB (A)

Sound power level (L_{WA}): 103 dB (A)

Uncertainty (K): 3 dB (A)

Wear ear protection

ENG238-2

Vibration

The vibration emission value determined according to EN61029:

Vibration emission (a_h): 2.5 m/s² or less

Uncertainty (K): 1.5 m/s²

The declared vibration emission value has been measured in accordance with the standard test method and may be used for comparing one tool with another.

The declared vibration emission value may also be used in a preliminary assessment of exposure.

WARNING:

- The vibration emission during actual use of the power tool can differ from the declared emission value depending on the ways in which the tool is used.
- Be sure to identify safety measures to protect the operator that are based on an estimation of exposure in the actual conditions of use (taking account of all parts of the operating cycle such as the times when the tool is switched off and when it is running idle in addition to the trigger time).

FRANÇAISE

ENG102-3

Bruit

Niveau de bruit pondéré A typique, déterminé selon EN61029 :

Niveau de pression sonore (L_{pA}) : 90 dB (A)

Niveau de puissance du son (L_{WA}) : 103 dB (A)

Incertitude (K) : 3 dB (A)

Porter des protecteurs anti-bruit

ENG238-2

Vibrations

Valeur d'émission de vibrations déterminée selon EN61029 :

Émission de vibrations (a_h) : 2,5 m/s² ou moins

Incertitude (K) : 1,5 m/s²

La valeur d'émission de vibrations déclarée a été mesurée conformément à la méthode de test standard et peut être utilisée pour comparer les outils entre eux.

La valeur d'émission de vibrations déclarée peut aussi être utilisée pour l'évaluation préliminaire de l'exposition.

AVERTISSEMENT :

- L'émission de vibrations lors de l'usage réel de l'outil électrique peut être différente de la valeur d'émission déclarée, suivant la façon dont l'outil est utilisé.
- Les mesures de sécurité à prendre pour protéger l'utilisateur doivent être basées sur une estimation de l'exposition dans des conditions réelles d'utilisation (en tenant compte de toutes les composantes du cycle d'utilisation, comme par exemple le moment de sa mise hors tension, lorsqu'il tourne à vide et le moment de son déclenchement).

DEUTSCH

ENG102-3

Geräusch

Typischer A-bewerteter Geräuschpegel ermittelt gemäß EN61029:

Schalldruckpegel (L_{pA}): 90 dB (A)

Schalleistungspegel (L_{WA}): 103 dB (A)

Ungewissheit (K): 3 dB (A)

Gehörschutz tragen

ENG238-2

Vibration

Vibrationsemissionswert ermittelt gemäß EN61029:

Vibrationsemission (a_h): 2,5 m/s² oder weniger

Ungewissheit (K): 1,5 m/s²

Der angegebene Vibrationsemissionswert wurde im Einklang mit der Standardprüfmethode gemessen und kann für den Vergleich zwischen Maschinen herangezogen werden.

Der angegebene Vibrationsemissionswert kann auch für eine Vorbewertung des Gefährdungsgrads verwendet werden.

WARNUNG:

- Die Vibrationsemission während der tatsächlichen Benutzung des Elektrowerkzeugs kann je nach der Benutzungsweise der Maschine vom angegebenen Emissionswert abweichen.
- Identifizieren Sie Sicherheitsmaßnahmen zum Schutz des Benutzers anhand einer Schätzung des Gefährdungsgrads unter den tatsächlichen Benutzungsbedingungen (unter Berücksichtigung aller Phasen des Arbeitszyklus, wie z. B. Ausschalt- und Leerlaufzeiten der Maschine zusätzlich zur Betriebszeit).

ITALIANO

ENG102-3

Rumore

Il tipico livello di rumore pesato A determinato secondo EN61029:

Livello pressione sonora (L_{pA}): 90 dB (A)

Livello potenza sonora (L_{WA}): 103 dB (A)

Incertezza (K): 3 dB (A)

Indossare i paraorecchi

ENG238-2

Vibrazione

Il valore emissione di vibrazione determinato secondo EN61029:

Emissione di vibrazione (a_h): 2,5 m/s² o meno

Incertezza (K): 1,5 m/s²

Il valore di emissione delle vibrazioni dichiarato è stato misurato conformemente al metodo di test standard, e può essere usato per paragonare un utensile con un altro.

Il valore di emissione delle vibrazioni dichiarato può anche essere usato per una valutazione preliminare dell'esposizione.

AVVERTIMENTO:

- L'emissione delle vibrazioni durante l'uso reale dell'utensile elettrico può differire dal valore di emissione dichiarato a seconda dei modi in cui viene usato l'utensile.
- Identificare le misure di sicurezza per la protezione dell'operatore basate sulla stima dell'esposizione nelle condizioni reali d'utilizzo (tenendo presente tutte le parti del ciclo operativo, come le volte in cui l'utensile viene spento e quando gira a vuoto, oltre al tempo di funzionamento).

NEDERLANDS

ENG102-3

Geluidsniveau

De typisch, A-gewogen geluidsniveaus vastgesteld volgens EN61029:

- Geluidsdrukniveau (L_{pA}): 90 dB (A)
- Geluidsenergie-niveau (L_{WA}): 103 dB (A)
- Onnauwkeurigheid (K): 3 dB (A)

Draag oorbeschermers

ENG238-2

Trilling

De emissiewaarde van de trillingen vastgesteld volgens EN61029:

- Trillingsemissie (a_h): 2,5 m/s² of lager
- Onnauwkeurigheid (K): 1,5 m/s²

De opgegeven trillingsemissiewaarde is gemeten volgens de standaardtestmethode en kan worden gebruikt om dit gereedschap te vergelijken met andere gereedschappen.

De opgegeven trillingsemissiewaarde kan ook worden gebruikt voor een beoordeling vooraf van de blootstelling.

WAARSCHUWING:

- De trillingsemissie tijdens het gebruik van het elektrisch gereedschap in de praktijk kan verschillen van de opgegeven trillingsemissiewaarde afhankelijk van de manier waarop het gereedschap wordt gebruikt.
- Zorg ervoor dat veiligheidsmaatregelen worden getroffen ter bescherming van de operator die zijn gebaseerd op een schatting van de blootstelling onder praktijkomstandigheden (rekening houdend met alle fasen van de bedrijfscyclus, zoals de tijdsduur gedurende welke het gereedschap is uitgeschakeld en stationair draait, naast de ingeschakelde tijdsduur).

ESPAÑOL

ENG102-3

Ruido

El nivel de ruido A-ponderado típico determinado de acuerdo con la norma EN61029:

- Nivel de presión sonora (L_{pA}): 90 dB (A)
- Nivel de potencia sonora (L_{WA}): 103 dB (A)
- Error (K): 3 dB (A)

Póngase protectores en los oídos

ENG238-2

Vibración

El valor de emisión de la vibración determinado de acuerdo con la norma EN61029:

- Emisión de vibración (a_h): 2,5 m/s² o menos
- Error (K): 1,5 m/s²

El valor de emisión de vibración declarado ha sido medido de acuerdo con el método de prueba estándar y se puede utilizar para comparar una herramienta con otra.

El valor de emisión de vibración declarado también se puede utilizar en una valoración preliminar de exposición.

ADVERTENCIA:

- La emisión de vibración durante la utilización real de la herramienta eléctrica puede variar del valor de emisión declarado dependiendo de las formas en las que la herramienta sea utilizada.
- Asegúrese de identificar medidas de seguridad para proteger al operario que estén basadas en una estimación de la exposición en las condiciones reales de utilización (teniendo en cuenta todas las partes del ciclo operativo tal como las veces cuando la herramienta está apagada y cuando está funcionando en vacío además del tiempo de gatillo).

PORTUGUÊS

ENG102-3

Ruído

A característica do nível de ruído A determinado de acordo com EN61029:

- Nível de pressão de som (L_{pA}): 90 dB (A)
- Nível do som (L_{WA}): 103 dB (A)
- Variabilidade (K): 3 dB (A)

Utilize protectores para os ouvidos

ENG238-2

Vibração

Valor da emissão de vibração determinada conforme EN61029:

- Emissão de vibração (a_h): 2,5 m/s² ou inferior
- Variabilidade (K): 1,5 m/s²

O valor da emissão de vibração indicado foi medido de acordo com o método de teste padrão e pode ser utilizado para comparar duas ferramentas.

O valor da emissão de vibração indicado pode também ser utilizado na avaliação preliminar da exposição.

AVISO:

- A emissão de vibração durante a utilização real da ferramenta eléctrica pode diferir do valor de emissão indicado, dependendo das formas como a ferramenta é utilizada.
- Certifique-se de identificar as medidas de segurança para protecção do operador que sejam baseadas em uma estimativa de exposição em condições reais de utilização (considerando todas as partes do ciclo de operação, tal como quando a ferramenta está desligada e quando está a funcionar em marcha lenta além do tempo de accionamento).

DANSK

ENG102-3

Lyd

Det typiske A-vægtede støjniveau bestemt i overensstemmelse med EN61029:

- Lydtryksniveau (L_{pA}): 90 dB (A)
- Lydeffektniveau (L_{WA}): 103 dB (A)
- Usikkerhed (K): 3 dB (A)

Bær høreværn

ENG238-2

Vibration

Vibrations emissionsværdi bestemt i overensstemmelse med EN61029:

- Vibrationsafgivelse (a_h): 2,5 m/s² eller mindre
- Usikkerhed (K): 1,5 m/s²

Den angivne vibrationsemissionsværdi er blevet målt i overensstemmelse med standardtestmetoden og kan anvendes til at sammenligne en maskine med en anden.

Den angivne vibrationsemissionsværdi kan også anvendes i en preliminær eksponeringsvurdering.

ADVARSEL:

- Vibrationsemissionen under den faktiske anvendelse af maskinen kan være forskellig fra den erklærede emissionsværdi, afhængigt af den måde, hvorpå maskinen anvendes.
- Sørg for at identificere de sikkerhedsforskrifter til beskyttelse af operatøren, som er baseret på en vurdering af eksponering under de faktiske brugsforhold (med hensyntagen til alle dele i brugscyklen, som f.eks. de gange, hvor maskinen er slukket og når den kører i tomgang i tilgift til afbrydertiden).

Θόρυβος

Το τυπικό A επίπεδο μετρημένου θορύβου καθορίζεται σύμφωνα με το EN61029:

Πίεση ήχου (L_{pA}): 90 dB(A)

Δύναμη του ήχου (L_{WA}): 103 dB (A)

Αβεβαιότητα (K): 3 dB (A)

Φοράτε ωτοασπίδες

ENG238-2

Κραδασμός

Η τιμή πρόκλησης δόνησης καθορίζεται σύμφωνα με το EN61029:

Πρόκλησης δόνησης (a_{rh}): 2,5 m/s² ή λιγότερο

Αβεβαιότητα (K): 1,5 m/s²

Η δηλωμένη τιμή εκπομπής κραδασμών έχει μετρηθεί σύμφωνα με την πρότυπη μέθοδο δοκιμής και μπορεί να χρησιμοποιηθεί για τη σύγκριση ενός εργαλείου με άλλο.

Η δηλωμένη τιμή εκπομπής κραδασμών μπορεί να χρησιμοποιηθεί και στην προκαταρκτική αξιολόγηση έκθεσης.

ΠΡΟΕΙΔΟΠΟΙΗΣΗ:

- Η εκπομπή κραδασμών κατά τη χρήση του ηλεκτρικού εργαλείου σε πραγματικές συνθήκες μπορεί να διαφέρει από τη δηλωμένη τιμή εκπομπής ανάλογα με τον τρόπο χρήσης του εργαλείου.
- Φροντίστε να λάβετε τα κατάλληλα μέτρα προστασίας του χειριστή βάσει υπολογισμού της έκθεσης σε πραγματικές συνθήκες χρήσης (λαμβάνοντας υπόψη όλες τις συνιστώσες του κύκλου λειτουργίας όπως τους χρόνους που το εργαλείο είναι εκτός λειτουργίας και όταν βρίσκεται σε αδρανή λειτουργία πέραν του χρόνου ενεργοποίησης).

Makita Corporation
Anjo, Aichi, Japan

884929-993